

## PRODUCT INFORMATION

### THE CONDENSER BODY OF THE GOE BUSHINGS

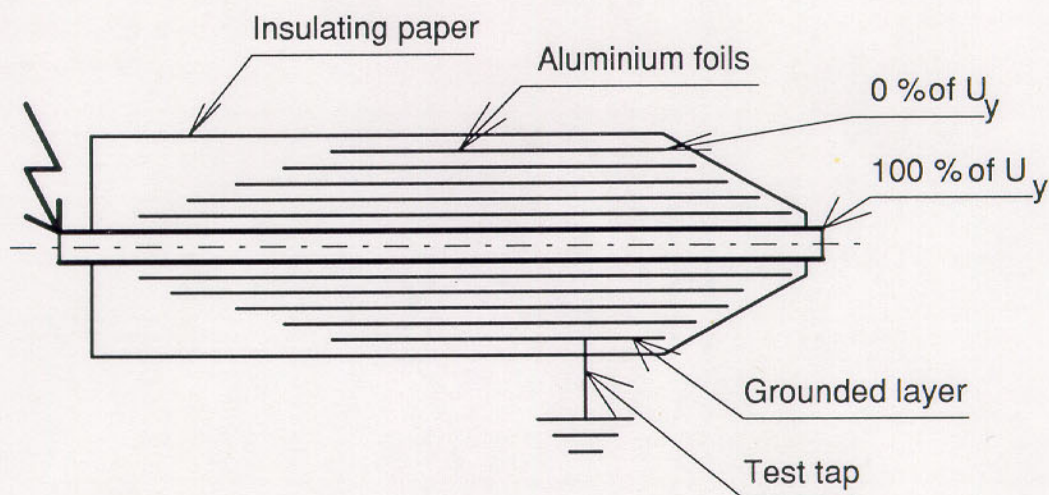


Figure 1. Explanatory sketch of a condenser body

The condenser body is of type oil-impregnated paper. It is built up on the central tube from insulating paper with conductive layers of aluminium foil.

The dimensions of the paper and the foils are calculated to obtain the best voltage withstand for over-voltages and voltage impulses during service and tests.

The outer layer is grounded through the test tap.

This document must not be copied without our written permission, and the contents thereof must not be imparted to a third party nor be used for any unauthorized purpose. Contravention will be prosecuted. ABB Components AB

6917 0600 LAC Almirás Tr. AB, Ludvika