

Rev. Ind	Revision	Appd	Date
3	Outer terminal -AAD: D2 was 60	PR PR	071227

### Bushing Data:

Rated Voltage	420	kV
Phase to-earth Voltage	243	kV
Dry Lightning Impulse 1,2/50µs	1550	kV
Wet Switching Impulse	1050	kV
Wet Power frequency AC	n.a.	kV
Routine test 1min dry 50Hz	693	kV
Rated Current	1600	A
Creepage Distance, nominal	11852	mm
Creepage Distance, minimum	11550	mm
Mass	970	kg

### Ordering Data:

BUSHING		AIR INSULATOR COLOUR/TYPE
IZSC901420-AAB	Test tap	Brown/Porcelain
IZSC901420-ABB	Voltage tap 6kV	Brown/Porcelain
IZSC901420-BAB	Test tap	Light grey/Porcelain
IZSC901420-BBB	Voltage tap 6kV	Light grey/Porcelain

OUTER TERMINAL	MATERIAL	D2 (mm)
IZSC999001-AAA	Al	30
IZSC999001-AAB	Al	60
IZSC999001-AAC	Cu	30
IZSC999001-AAD	Cu	40

DRAW ROD SYSTEM		
IZSC999006	Lower draw rod	
IZSC999007	Upper draw rod	

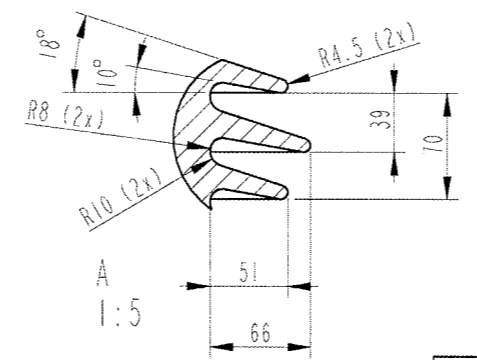
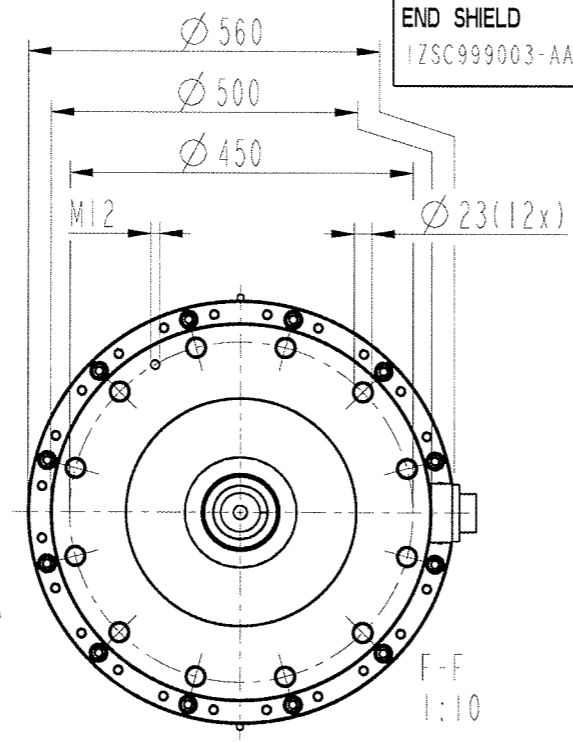
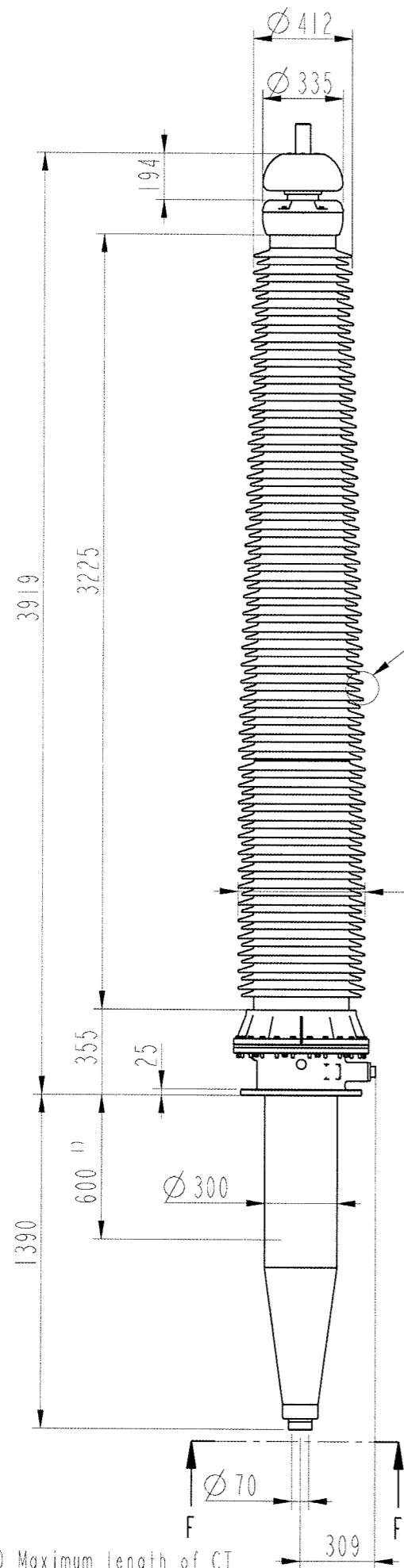
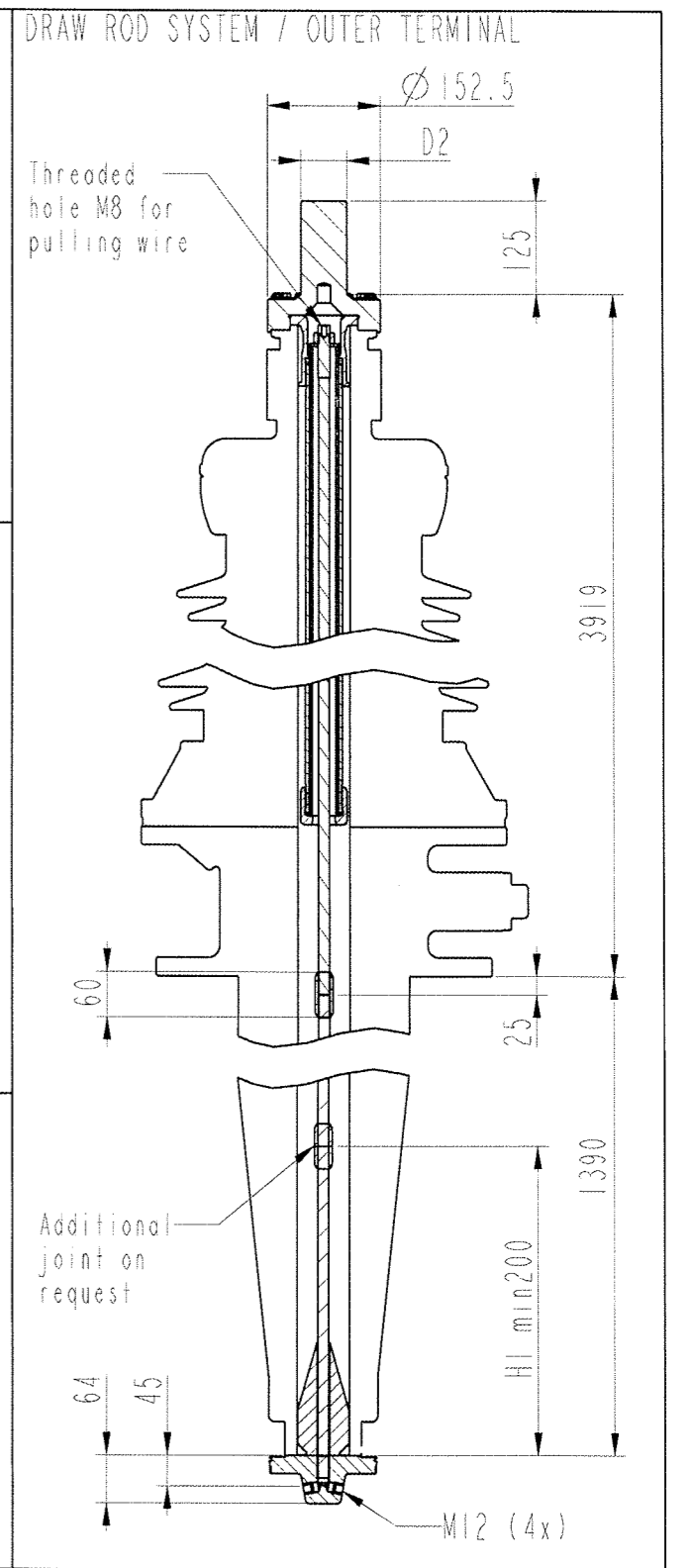
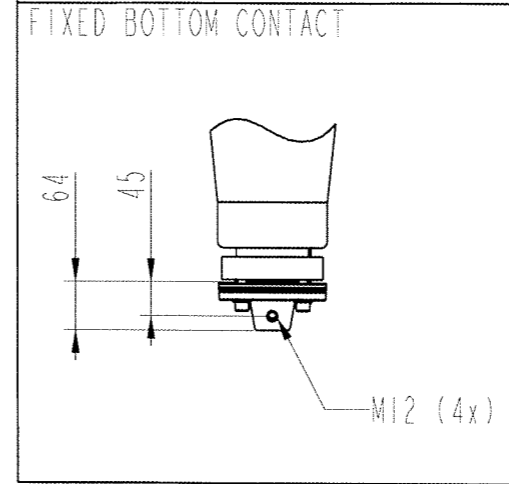
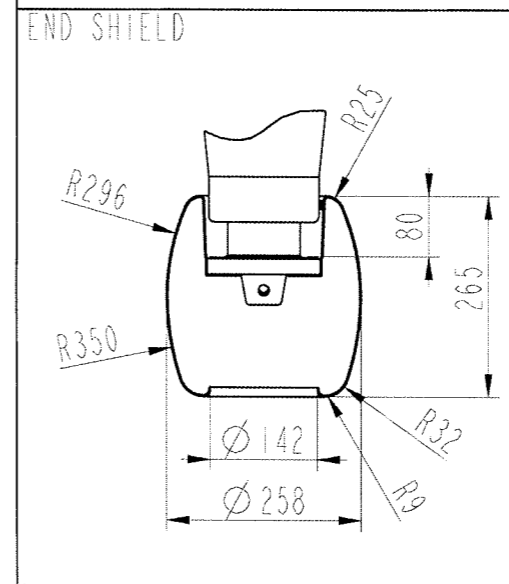
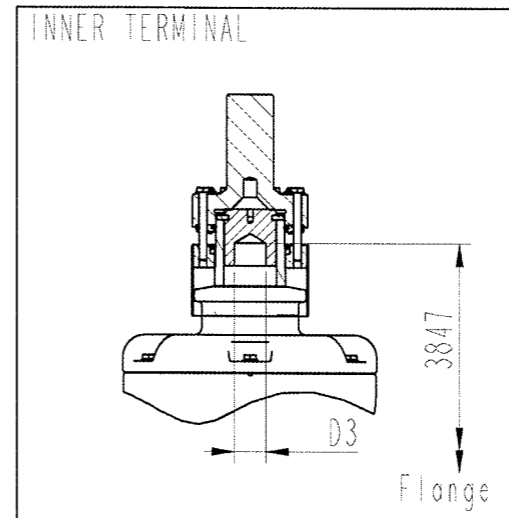
INNER TERMINAL	D3 (mm)
IZSC999005-AAA	15
IZSC999005-AAB	30
IZSC999005-AAC	40
IZSC999005-AAD	42

FIXED BOTTOM CONTACT	
IZSC999002-AAA	

END SHIELD	
IZSC999003-AAA	Epoxy insulated



Signatures acc. to revision 0 are valid  
Signaturer enligt revision 0 gäller

Production engineering review	F Petrici
Inspection engineering review	K-E Andersson
Design engineering review	P Sjöberg

Based on	Reg. No.	Title
Prepared P Runnholm	Responsible department PTTR/CO/BI 0450	GSB 420/1600/0,6
Approved R Johansson	Take over department	
Revision	Database ***	Document No. 2751377-6



We reserve all rights in this document and in the information contained therein. Reproduction, use or disclosure to third parties without express authority is strictly forbidden. ©ABB

1) Maximum length of CT