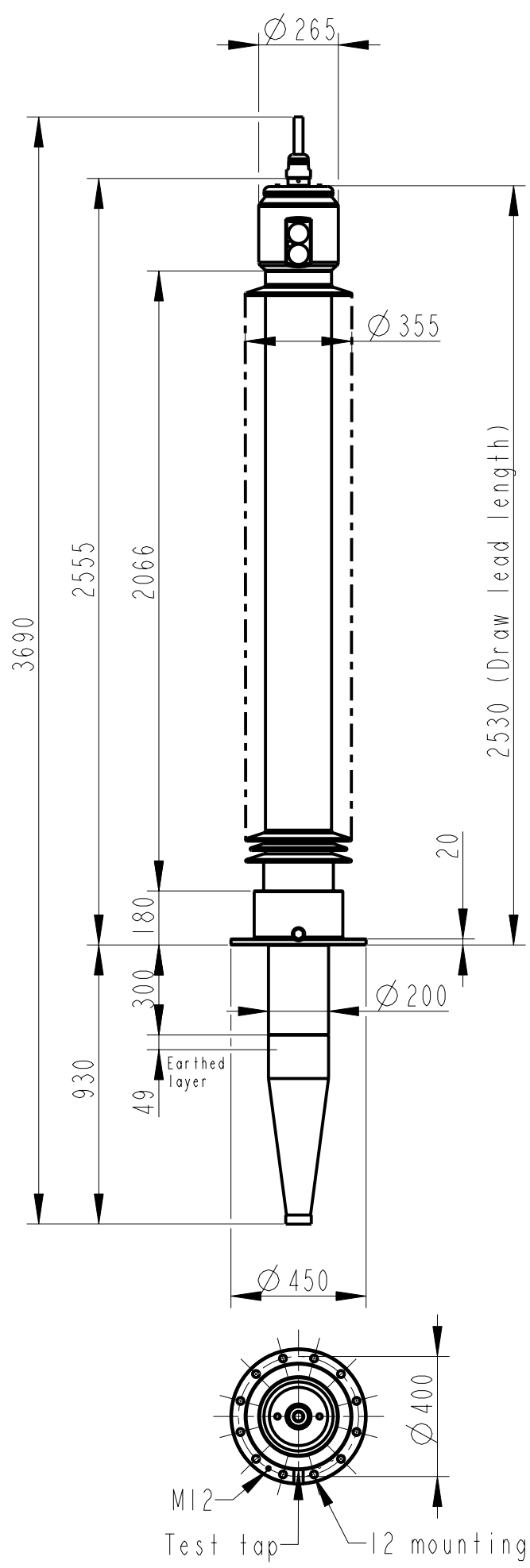


Rev Ind	Revision	Appd	Date
2	LF170092-D added	MG	04 37

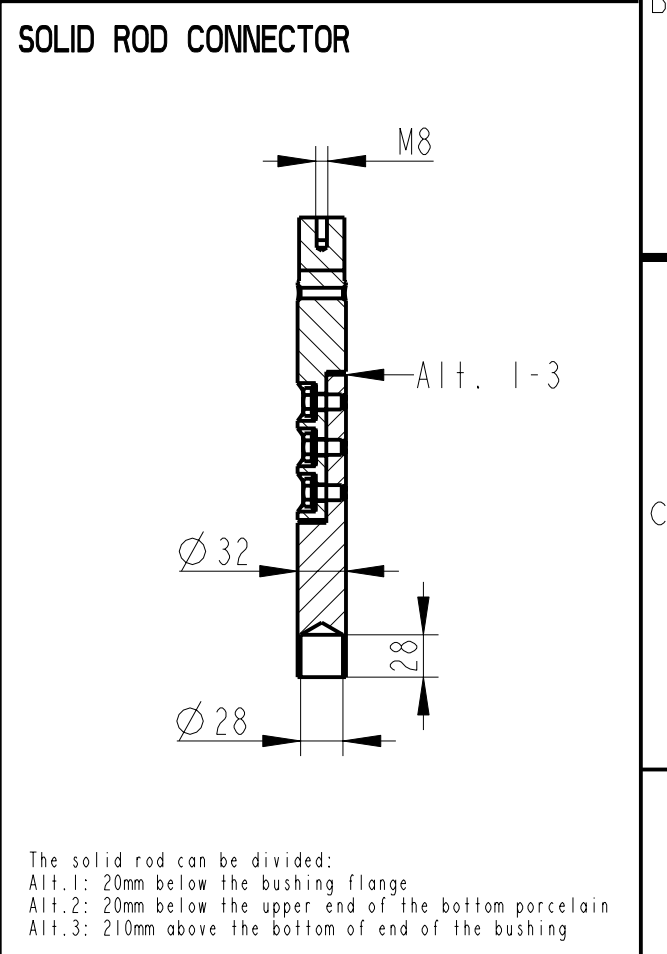
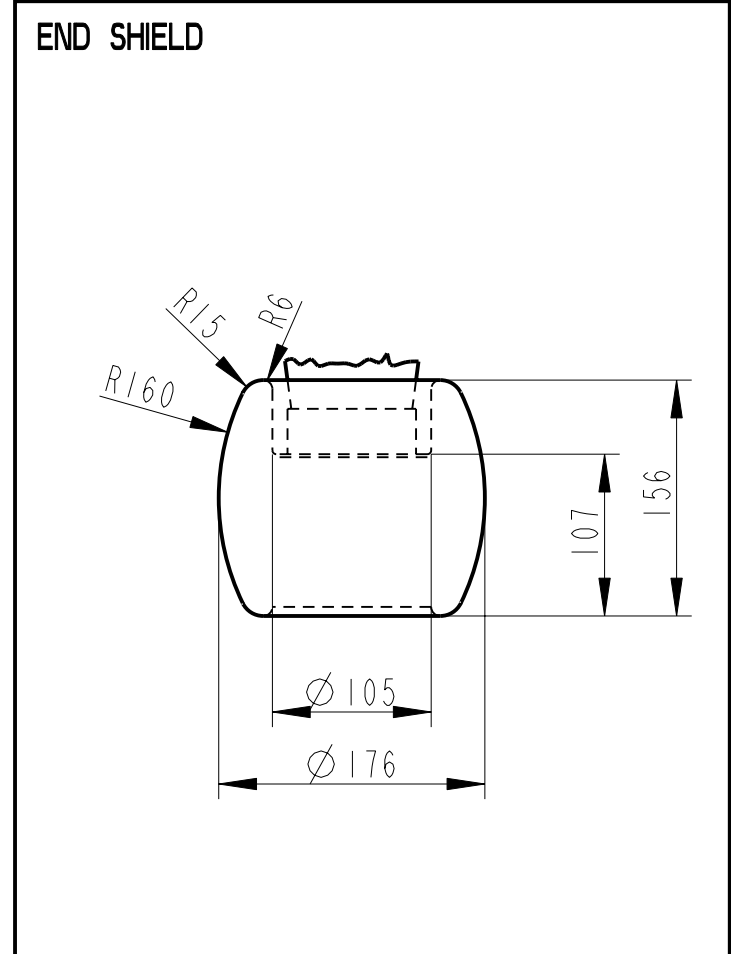
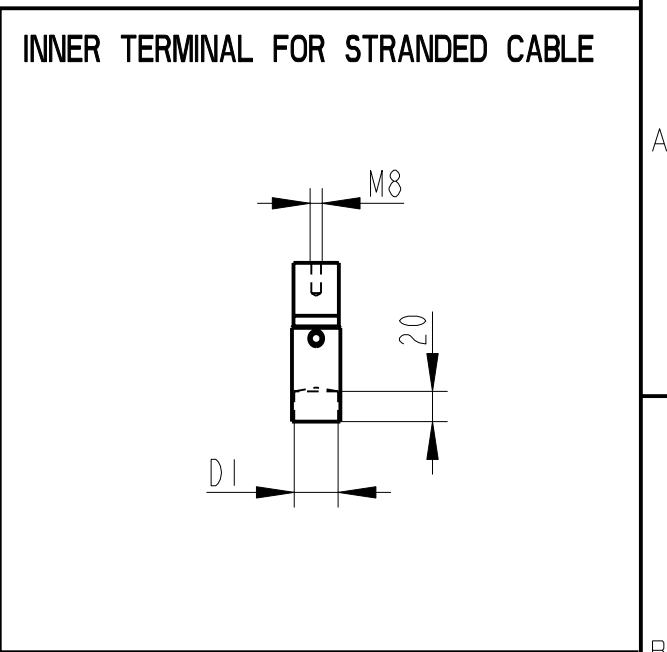
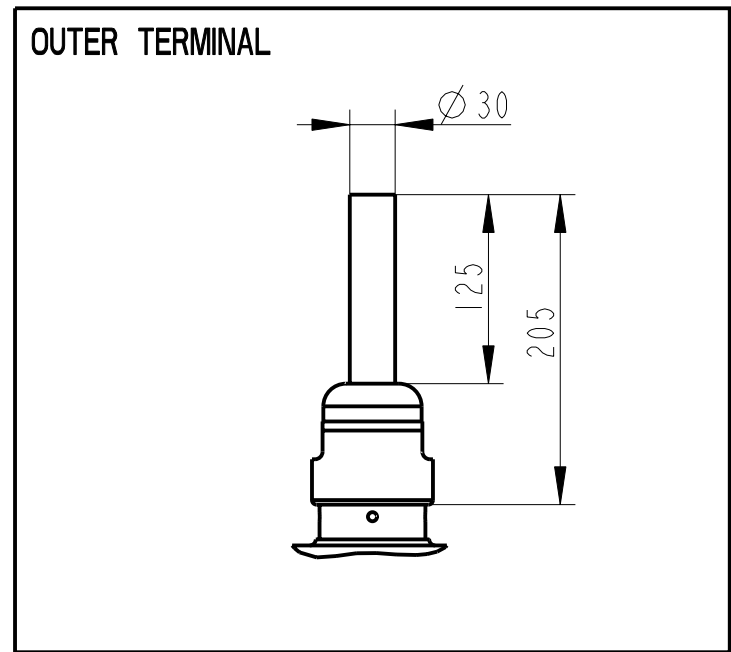


Bushing Data:		
Rated Voltage	300	kV
Phase to-earth Voltage	173	kV
Dry Lightning Impulse 1,2/50µs	1050	kV
Wet Switching Impulse	750	kV
Wet Power frequency AC	510	kV
Routine test 1min dry 50Hz	510	kV
Rated Current	1100	A
Creepage Distance nominal	7700	mm
Creepage Distance minimum	7550	mm
Mass	335	kg

Ordering Data:		
BUSHING	COLOUR AIR INSULATOR	
LF123 281 -K / -L	Brown / Light grey	
OUTER TERMINAL		
LF 170 001-B	Al, Ø 30, L=125	
LF 170 002-B	Cu, Ø 30, L=125	
OTHER TYPES ON REQUEST		
INNER TERMINAL FOR STRANDED CABLE		
For brazing	Conductor area	DI
LF 170 011-T	up to 285 mm ²	Ø 29
LF 170 011-V	Undrilled with pilot hole	Ø 5
SOLID ROD CONNECTOR		
LF 170 052-FD	for Alt.1	
LF 170 052-FE	for Alt.2	
LF 170 052-FF	for Alt.3	
END SHIELD		
LF 170 092-B	Epoxy insulated	
LF 170 092-D	Insulated with 3 mm pressboard	

ABB		Ludvika, Sweden	
No.			
U _w /U _y	kV tr	A 50/60 Hz	
LI, SI, AC		kV	
M	kg	L	mm
C1	pF	Tan δ	x
C2	pF	Tan δ	x

Signatures acc. to revision 0 are valid
Signaturer enligt revision 0 gäller



The solid rod can be divided:
Alt.1: 20mm below the bushing flange
Alt.2: 20mm below the upper end of the bottom porcelain
Alt.3: 210mm above the bottom of end of the bushing

Based on	Reg. No.	Title	Language
Prepared	Responsible department		
T Eriksson	PTCOM/BD 02 32	GOB-1050-750-1100-0.3	82
Approved	Take over department		
R Johansson			
Design engineering review	Database		
M Gullo			
Document No.		2751400-8	

We reserve all rights in this document and in the information contained therein. Reproduction, use or disclosure to third parties without express authority is strictly forbidden. ©ABB