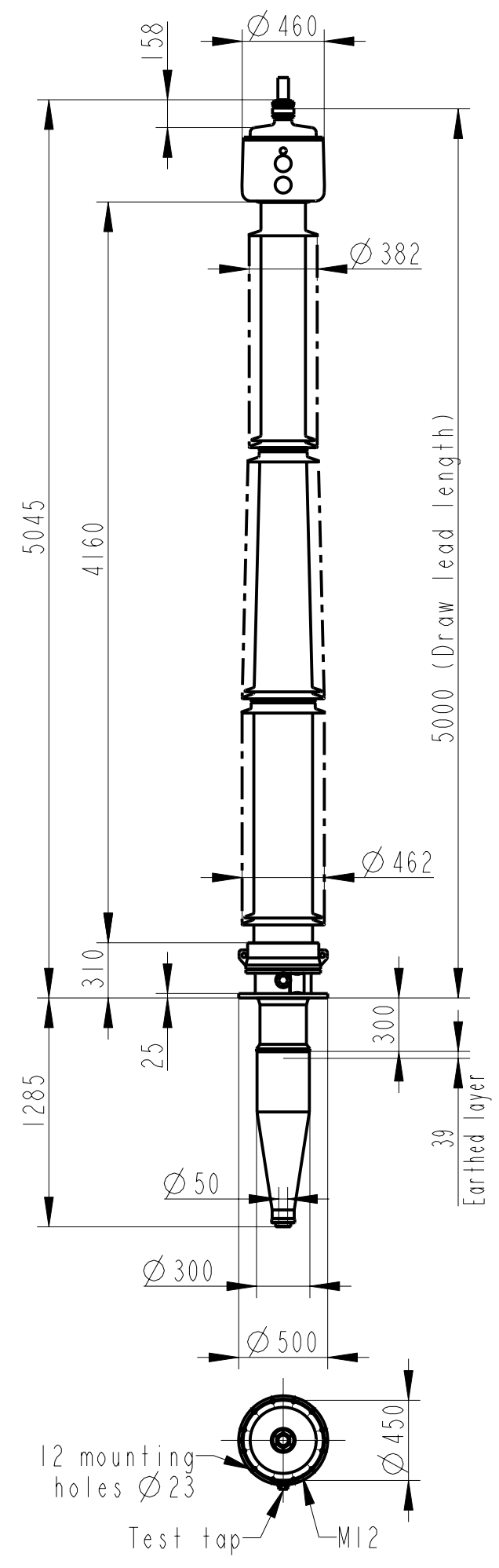


Rev Ind	Revision	Appd	Date
2	Updated	MG	05 08



### Bushing Data:

Rated Voltage	550 kV
Phase to-earth Voltage	318 kV
Dry Lightning Impulse 1,2/50µs	1675 kV
Wet Switching Impulse	1300 kV
Wet Power frequency AC	750 kV
Routine test Imin dry 50Hz	750 kV
Rated Current	1600 A
Creepage Distance Nominal	15200 mm
Creepage Distance Minimum	14850 mm
Mass	1020 kg

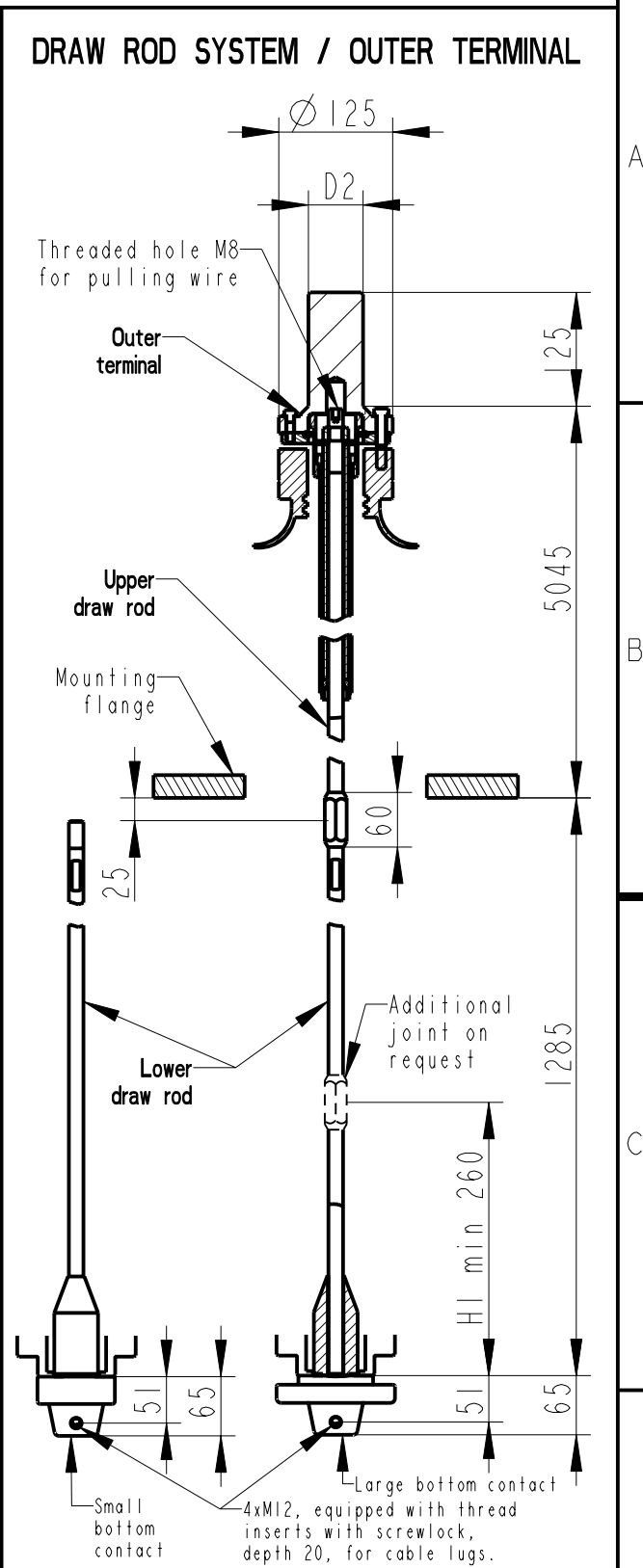
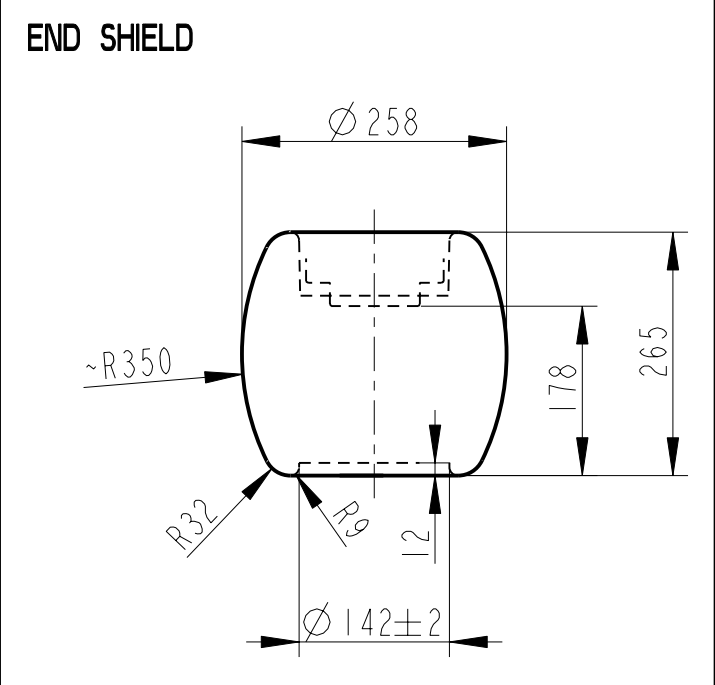
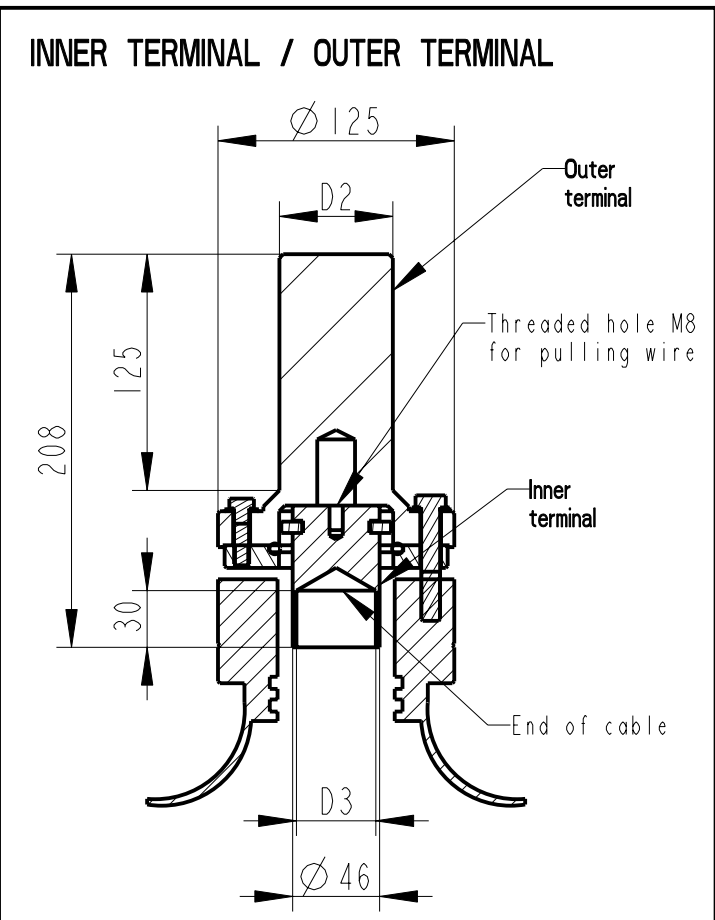
### Ordering Data:

<b>BUSHING</b>	COLOUR AIR INSULATOR
LF121 580 -B / -AB	Brown / Light Grey
<b>DRAW ROD SYSTEM</b>	
LF170 097	UPPER DRAW ROD
LF170 098	LOWER DRAW ROD
<b>OUTER TERMINAL</b>	Material D2 (mm)
LF170 090-A	Al Ø 30
LF170 090-B	Al Ø 60
LF170 090-C	Cu Ø 30
LF170 090-D	Cu Ø 40
LF170 090-E	Cu Ø 60
<b>INNER TERMINAL</b>	D3 (mm) Cond.area (mm <sup>2</sup> )
LF170 091-A	Undrilled with pilot hole Ø 5
LF170 091-B	Ø 15 up to 95
LF170 091-C	Ø 30 up to 285
LF170 091-D	Ø 42 up to 740
<b>END-SHIELD</b>	
LF170 092-K	Epoxy insulated
LF170 092-L	Insulated with 3mm pressboard

ABB Ludvika, Sweden

U <sub>m</sub> U <sub>y</sub>	No.	kV	A	50/60 Hz
LI	kV	SI	kV	AC
M	kg	L	mm	▷
CI	pF	Tan δ		z
C2	pF	Tan δ		z

Signatures acc. to revision 2 are valid  
Signaturer enligt revision 2 gäller



Based on	Reg. No.	Title	GOE(2)-1675-1300-1600-0.3
Prepared M Gullö	05 08	Responsible department PTPR/CO/BLK	
Approved R Johansson		Take over department	Language <b>EN</b>
Design engineering review M Carlsson	Database		Page <b>1(1)</b>
Document No.			<b>2751400-2</b>

We reserve all rights in this document and in the information contained therein. Reproduction, use or disclosure to third parties without express authority is strictly forbidden. ©ABB