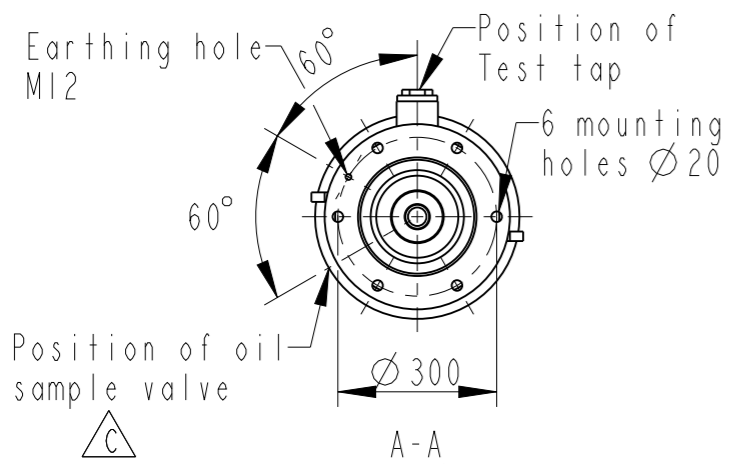
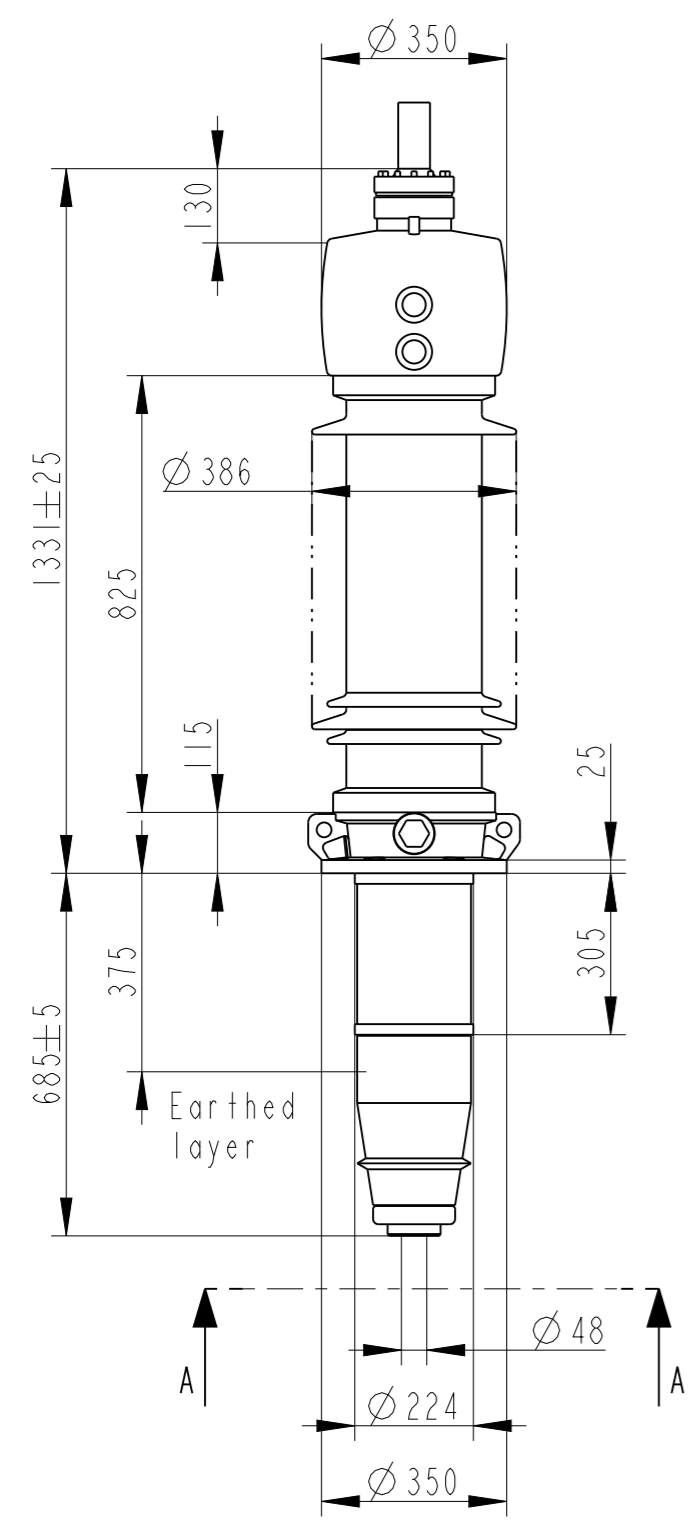


This document is issued by means of a computerized system. The digitally stored original is electronically approved. The approved document has a date entered in the "Approved"-field. A manual signature is not required.

The information contained in this document has to be kept strictly confidential. Any unauthorized use, reproduction, distribution or disclosure to third parties are strictly forbidden. ABB reserves all rights regarding Intellectual Property Rights. © Copyright 2010 ABB. All rights reserved.



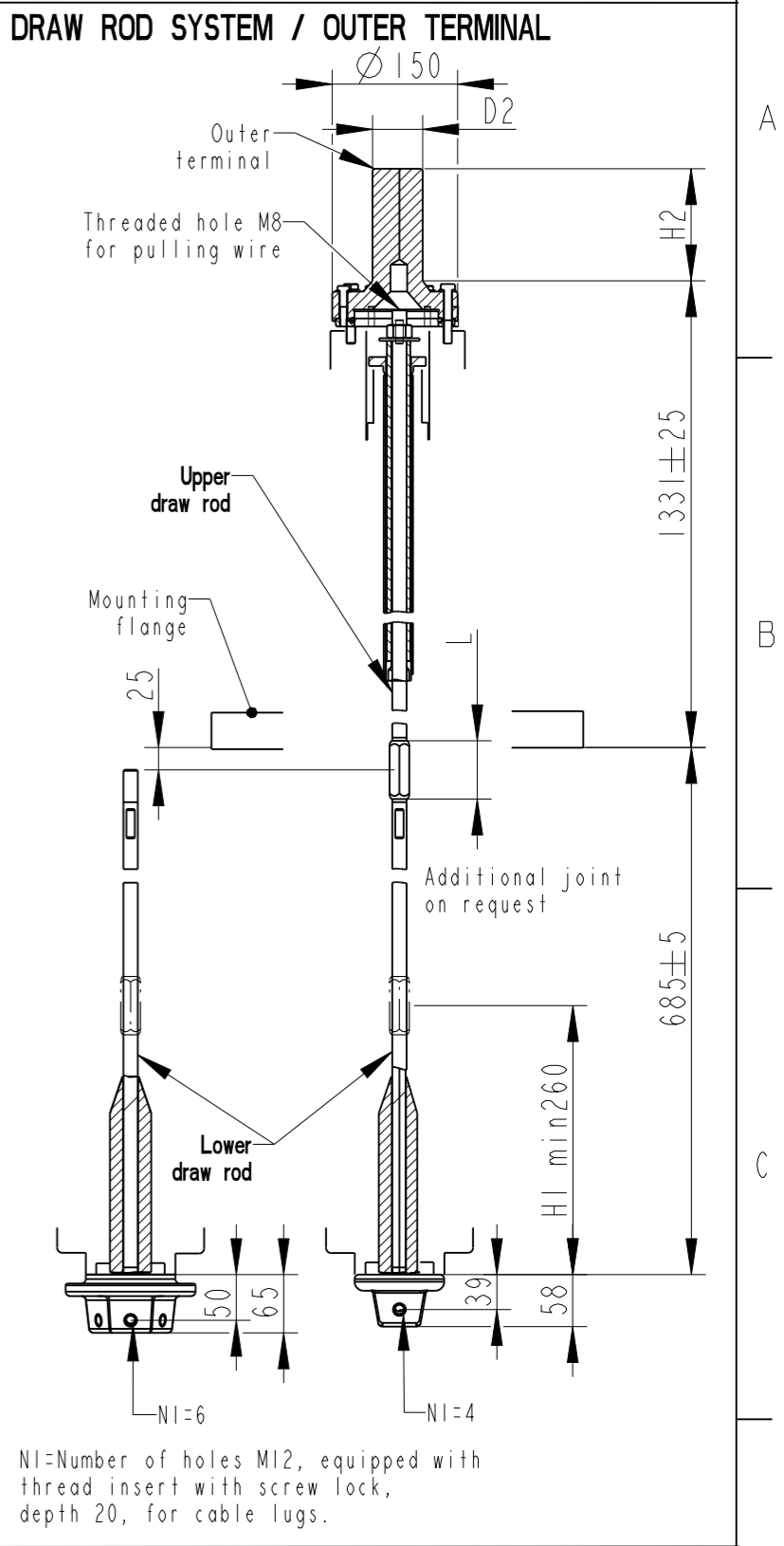
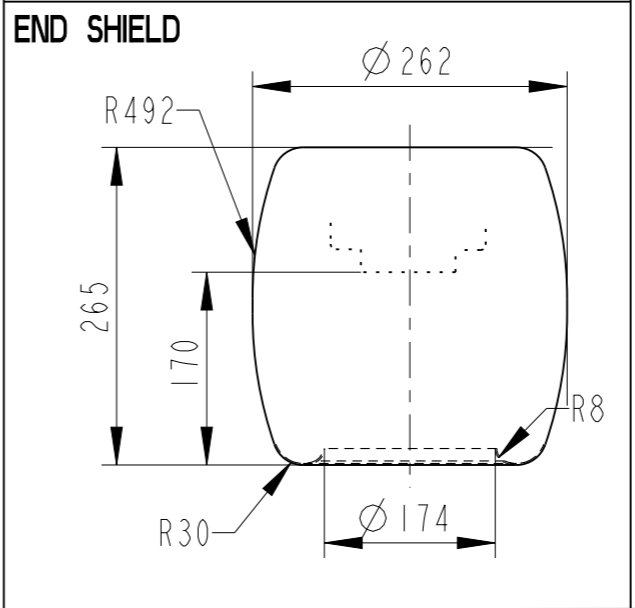
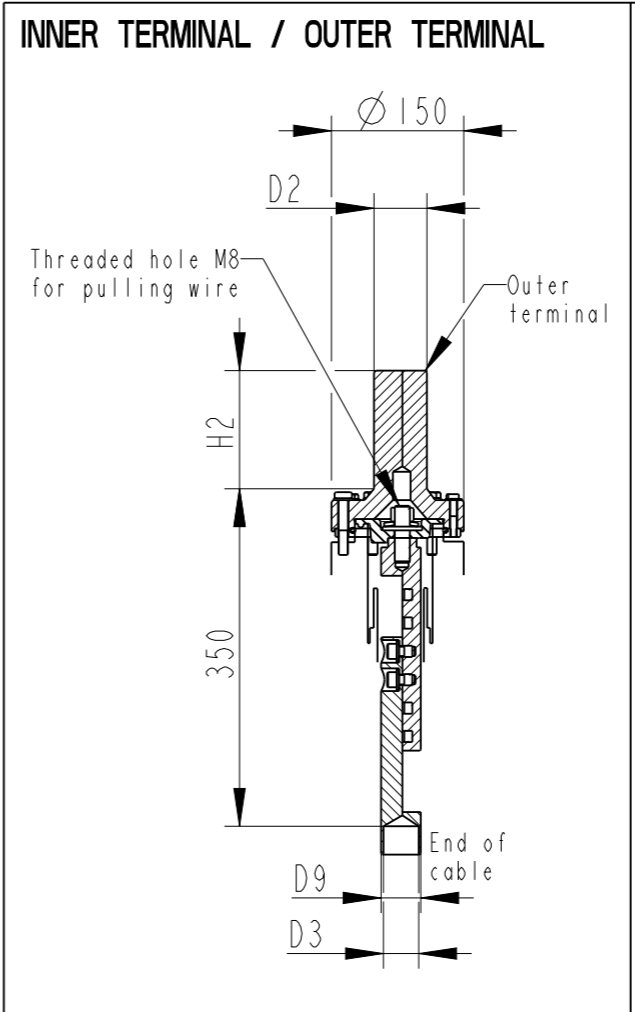
Bushing Data:

Rated Voltage	52 kV
Phase to-earth Voltage	30 kV
Dry Lightning Impulse 1,2/50µs	250 kV
Wet Switching Impulse	210 kV
Wet Power frequency AC	120 kV
Routine test 1min dry 50Hz	120 kV
Rated Current	3150 A
Creepage Distance	2955 mm
Mass	230 kg

Ordering Data:

BUSHING	COLOUR AIR INSULATOR BROWN				
I ZSC902052-AAA					
OUTER TERMINAL	Max. Rated Current (A)	H2 (mm)	D2 (mm)		
LF170 073-A	Al	2500	125	60	
LF170 073-B	Cu	4000	125	60	
LF170 073-G	Cu/Ag	4000	125	60	
LF170 073-L	Cu/Sn	4000	125	60	
LF170 073-BA	Cu/Ag	3000	125	2"-12UN	
LF170 073-AA	Cu	5000	125	96	
END-SHIELD	EPOXY INSULATED INSULATED WITH 3 mm PRESSBOARD				
LF170 046-U					
LF170 046-P					
DRAW ROD SYSTEM	LOWER DRAW ROD WITH NI=4 OR NI=6 UPPER DRAW ROD				
LF170 059-BR OR-F					
LF170 057-D					
INNER TERMINAL	D3 (mm)	D9 (mm)	Cond.area (mm ²)	Current (A) IEC	IEEE
LF170 056-E	0 *	45	-	-	-
LF170 056-D	40	45	600	1600	1360

*) WITH PILOT HOLE D=5



NI=Number of holes M12, equipped with thread insert with screw lock, depth 20, for cable lugs.

ABB Ludvika, Sweden

No.	Um/Uy	kV Ir	A	50/60 Hz
BIL	kV SIL	kV AC	kV	
M	kg L	mm D		
C1	pF Tanδ	z		
C2	pF Tanδ	z		

Prepared	Ali Amin	2010-02-16	Responsible department	PPCO/BK	Title	
Modified by	Palpandi K	2010-10-12	Take over department		GOE 250-210-3150-0.3	
Approved by	Urban Schander	2010-10-12	Used in product		GOE 250-210-3150-0.3	
Revision	C Added Note "Position of Oil Sample Valve"			Order		
ABB					Document no.	2751369-297
					Language	82
					Sheet no.	1
					No. Shts.	(1)