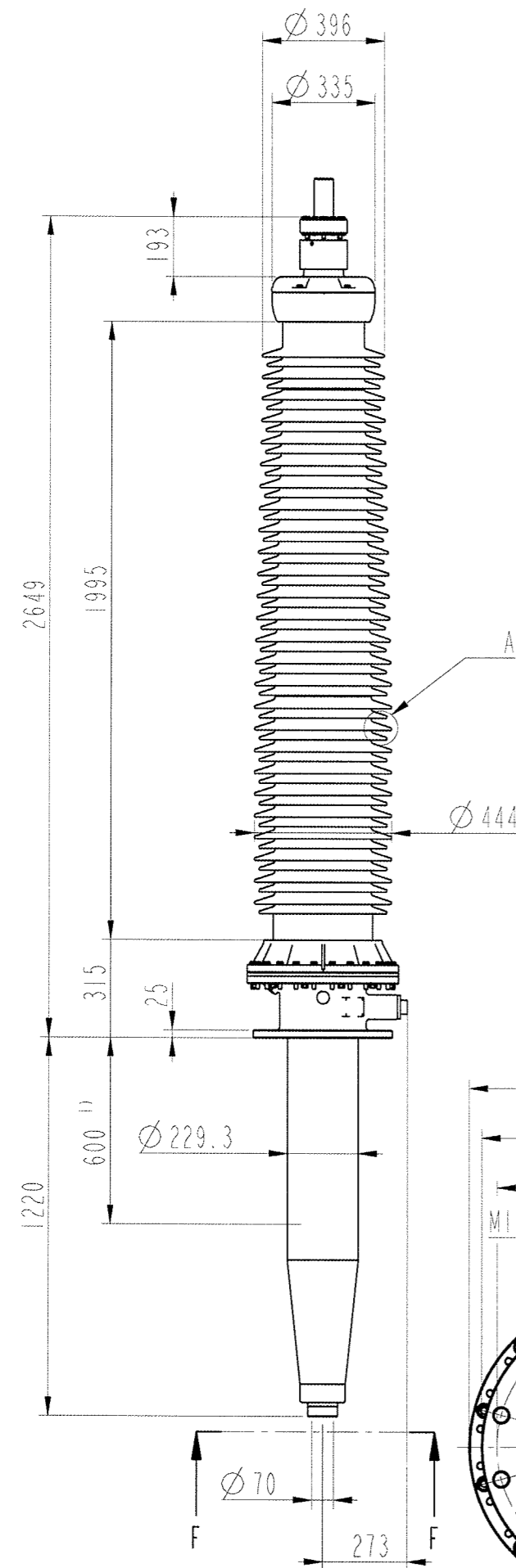


We reserve all rights in this document and in the information contained therein. Reproduction, use or disclosure to third parties without express authority is strictly forbidden. ©ABB



Bushing Data:

Rated Voltage	245	kV
Phase to-earth Voltage	146	kV
Dry Lightning Impulse 1,2/50µs	1050	kV
Wet Switching Impulse	n.o.	kV
Wet Power frequency AC	460	kV
Routine test 1min dry 50Hz	506	kV
Rated Current	1600	A
Creepage Distance, nominal	7022	mm
Creepage Distance, minimum	6740	mm
Mass	490	kg

Ordering Data:

BUSHING	Test tap	AIR INSULATOR COLOUR/TYPE
IZSC901245-AAB	Test tap	Brown/Porcelain
IZSC901245-ABB	Voltage tap 6kV	Brown/Porcelain
IZSC901245-BAB	Test tap	Light grey/Porcelain
IZSC901245-BBB	Voltage tap 6kV	Light grey/Porcelain

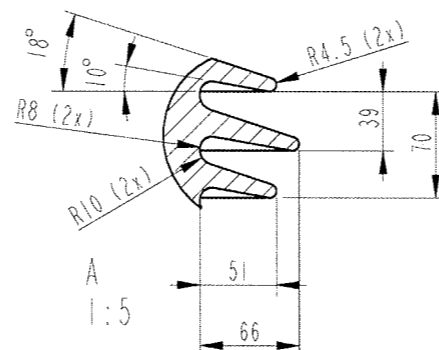
OUTER TERMINAL	MATERIAL	D2 (mm)
IZSC999001-AAA	Al	30
IZSC999001-AAB	Al	60
IZSC999001-AAC	Cu	30
IZSC999001-AAD	Cu	40

DRAW ROD SYSTEM	
IZSC999006	Lower draw rod
IZSC999007	Upper draw rod

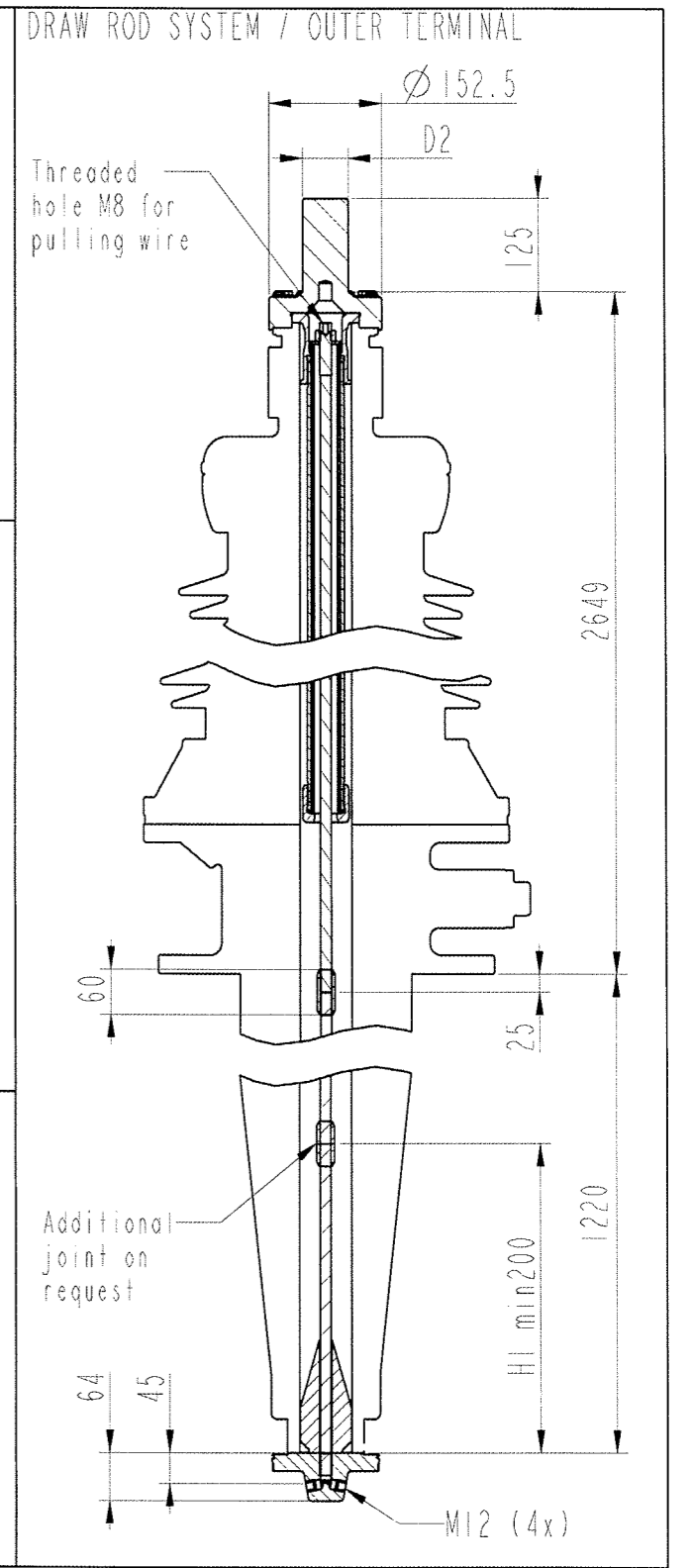
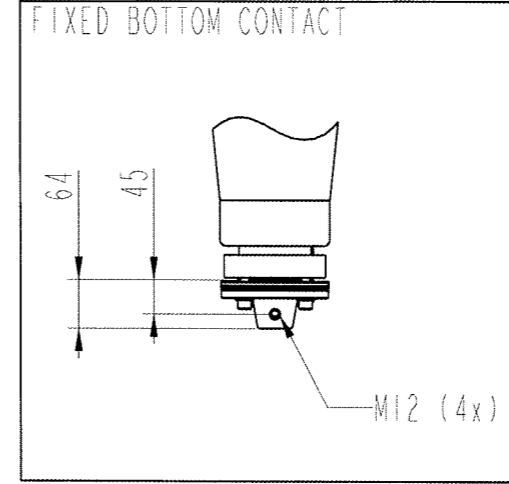
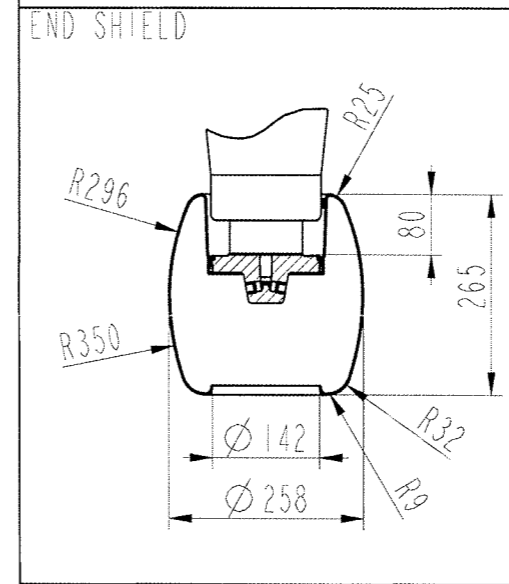
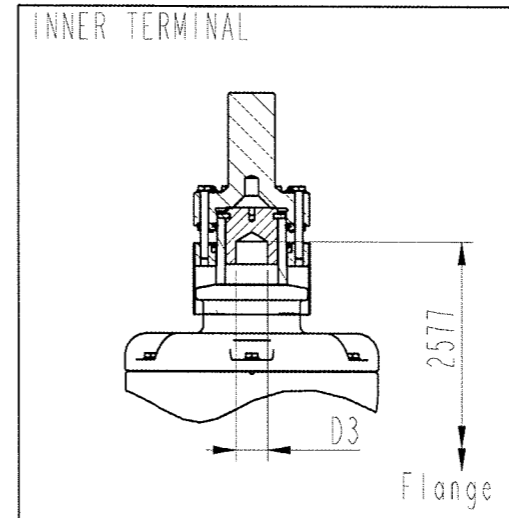
INNER TERMINAL	D3 (mm)
IZSC999005-AAA	15
IZSC999005-AAB	30
IZSC999005-AAC	40
IZSC999005-AAD	42

FIXED BOTTOM CONTACT
IZSC999002-AAA

END SHIELD
IZSC999003-AAA
Epoxy insulated



Rev Ind	Revision	Appd	Date
2	Outer terminal -AAD: D2 was 60 Ø450 added.	PR PR	071227



Signatures acc. to revision 0 are valid
Signaturer enligt revision 0 gäller

Production engineering review	Approved	F Petrici
Inspection engineering review	Revision	K-E Andersson
Design engineering review		P Sjöberg

Based on	Reg. No.	Title
Prepared	Responsible department	GSB 245/1600/0,6
P Runnholm	PTTR/CO/BI 0450	
Approved	Take over department	Language 82
R Johansson		
Database	***	Page 1(1)
Document No.		2751377-2



1) Maximum length of CT