

Rev	Ind	Revision	Appd	Date

### Bushing Data:

Rated Voltage	170	kV
Phase to-earth Voltage	123	kV
Dry Lightning Impulse 1,2/50µs	550	kV
Wet Switching Impulse	400	kV
Wet Power frequency AC	240	kV
Routine test Imin dry 50Hz	260	kV
Rated Current	5000	A
Creepage Distance	3355	mm
Mass	300	kg

### Ordering Data:

**BUSHING** COLOUR AIR INSULATOR  
 LF121053 -F / -AF BROWN / LIGHT GREY

#### OUTER TERMINAL

	H2	D2
	(mm)	(mm)
LF170 073-A Al	125	60
LF170 073-B Cu	125	60
LF170 073-G Cu/Ag	125	60
OTHER TYPES ON REQUEST		

#### END-SHIELD

LF170 046-U EPOXY INSULATED  
 LF170 046-UP INSULATED WITH 3 mm PRESSBOARD

#### DRAW ROD SYSTEM

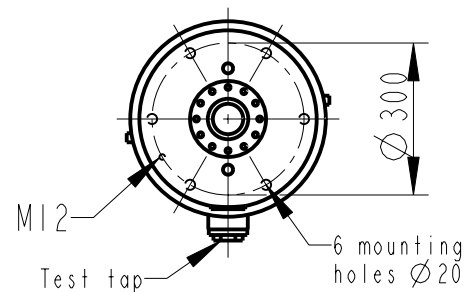
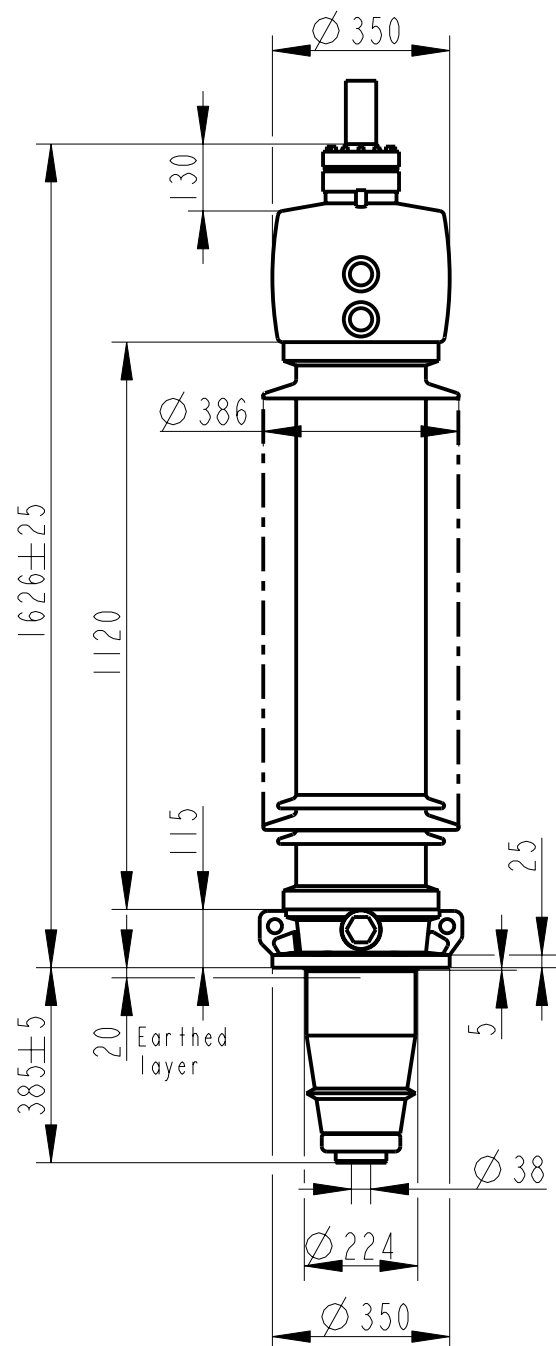
LF170 059 LOWER DRAW ROD WITH NI=4 OR NI=6  
 LF170 057 UPPER DRAW ROD

#### INNER TERMINAL

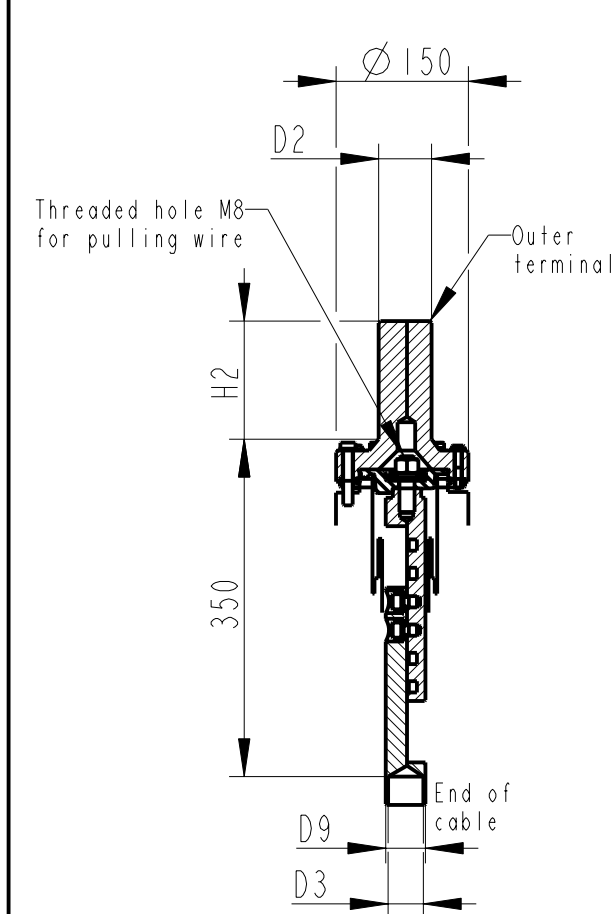
	D3	D9	Cond. area	Current (A)
	(mm)	(mm)	(mm <sup>2</sup> )	IEC
LF170 056-A 0 *)	35	-	-	-
LF170 056-B 15	35	95	390	370
LF170 056-C 30	35	285	1000	830

\*) WITH PILOT HOLE D=5

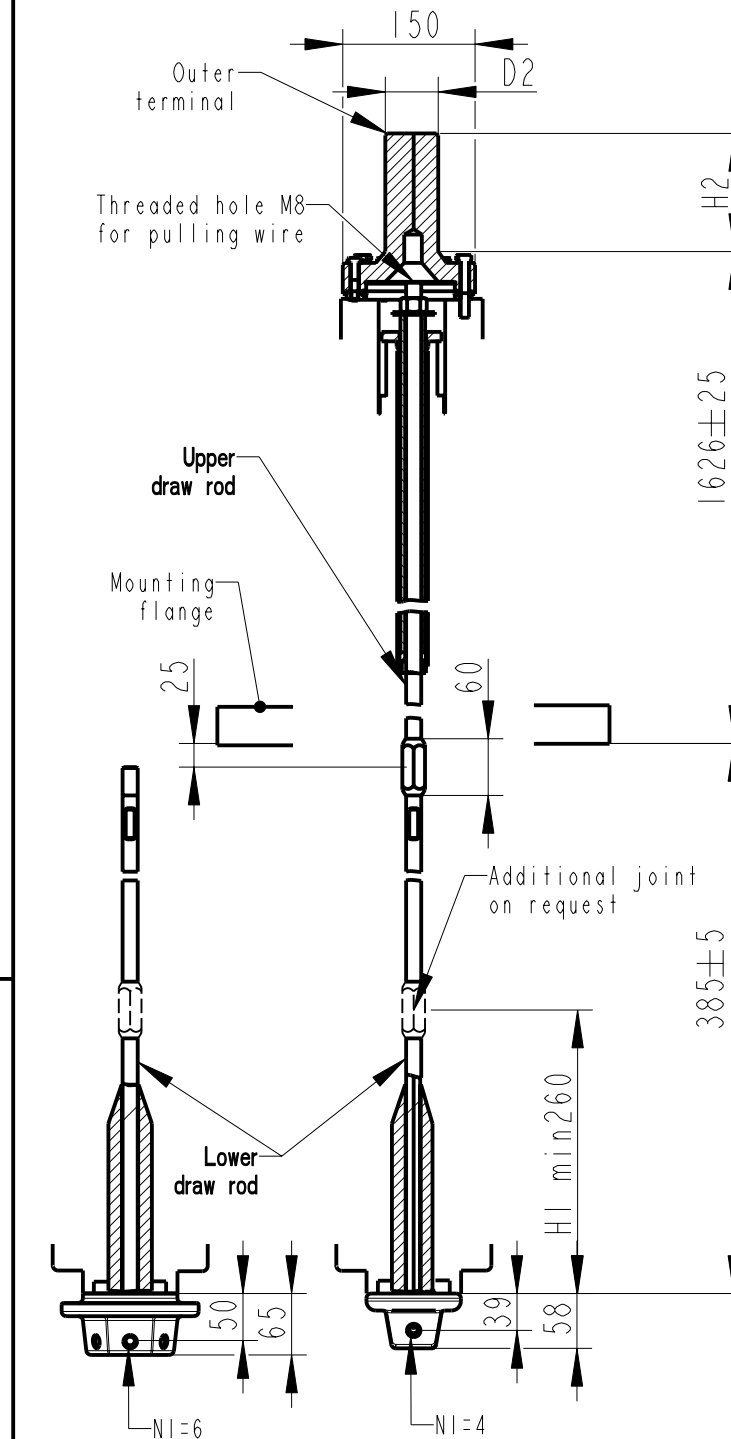
ABB Components		Lubika, Sweden	
U <sub>1-4</sub>	N <sub>1</sub>	A	50-60 Hz
U	kV SI	kV AC	kV
M	kg L	mm D	
C1	pF Tanδ		
C2	pF Tanδ		



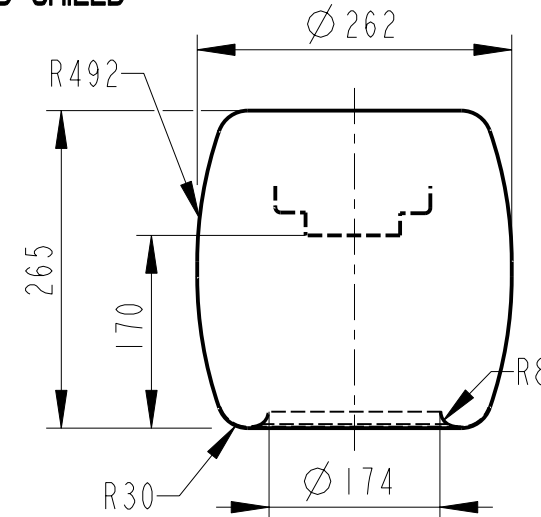
### INNER TERMINAL / OUTER TERMINAL



### DRAW ROD SYSTEM / OUTER TERMINAL



### END SHIELD



NI=Number of holes M12, equipped with thread insert with screw lock, depth 20, for cable lugs.

Based on	Reg. No.	Title	GOE-450-400-5000-0
Prepared Lövnord	Responsible department COM/BK 0022		
Approved Johansson	Take over department		Language 82
Design engineering review Gutman	Database		Page 1(1)
ABB ABB Components		Document No.	2751369-56

We reserve all rights in this document and in the information contained therein. Reproduction, use or disclosure to third parties without express authority is strictly forbidden. ©ABB