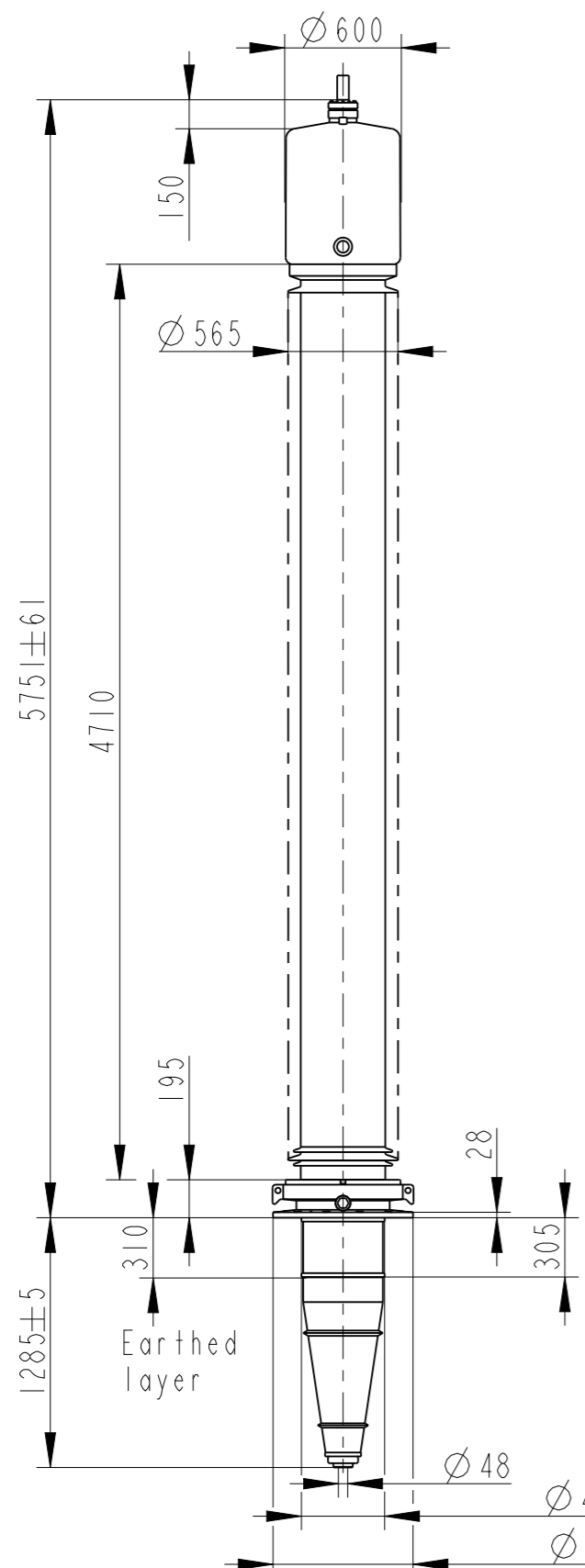


This document is issued by means of a computerized system. The digitally stored original is electronically approved. The approved document has a date entered in the "Approved"-field. A manual signature is not required.

The information contained in this document has to be kept strictly confidential. Any unauthorized use, reproduction, distribution or disclosure to third parties are strictly forbidden. ABB reserves all rights regarding Intellectual Property Rights. © Copyright 2010 ABB. All rights reserved.

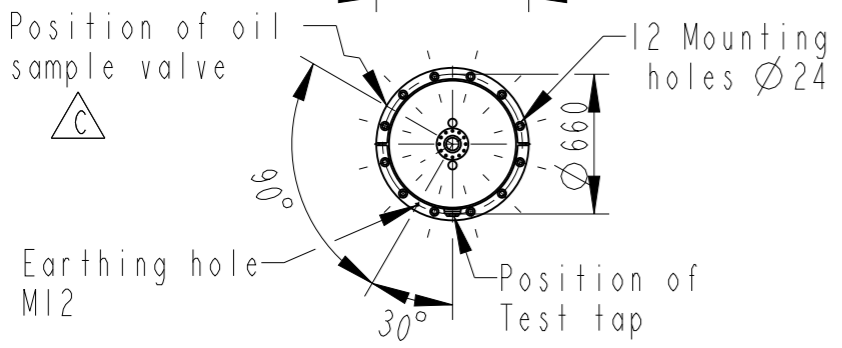
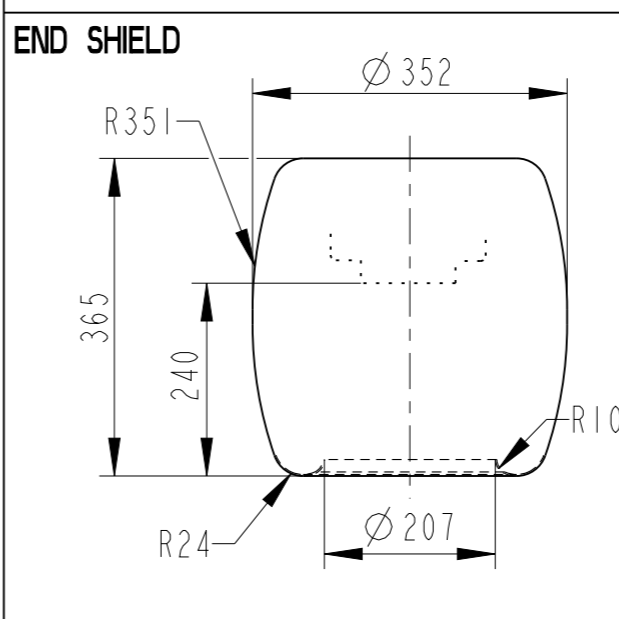
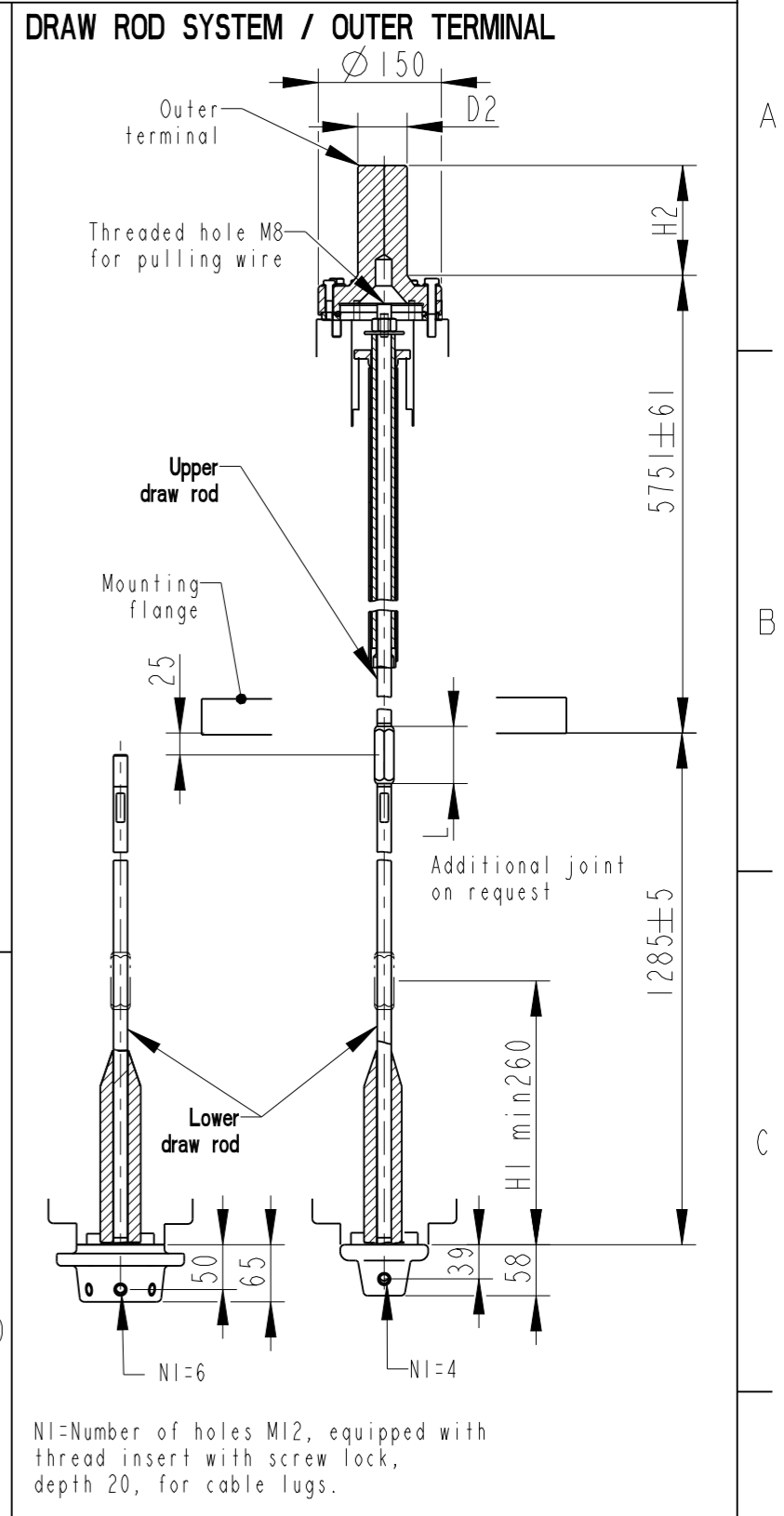
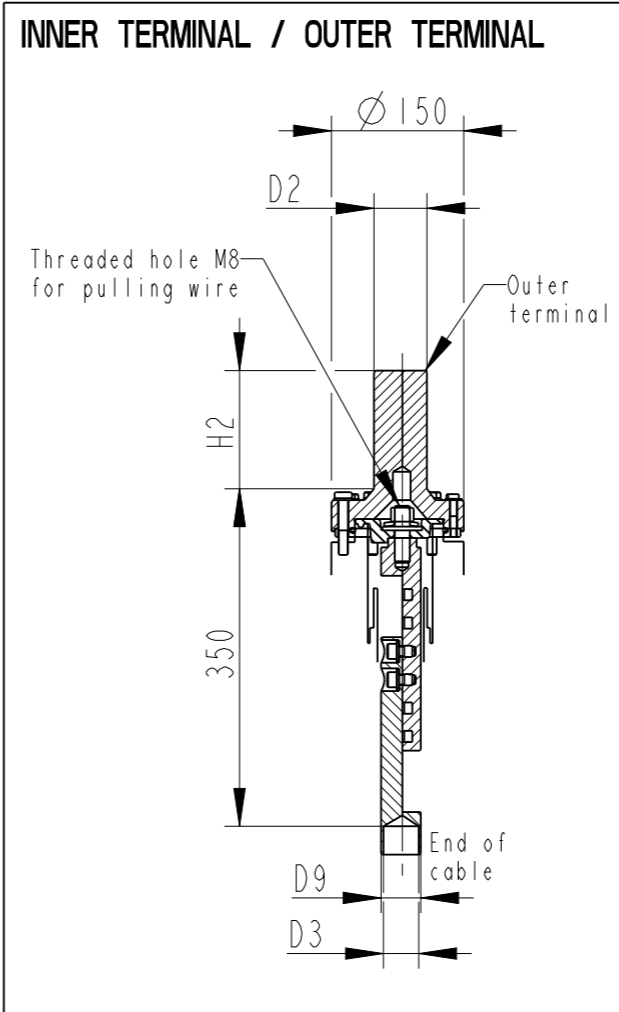


Bushings Data:	
Rated Voltage	550 kV
Phase to-earth Voltage	318 kV
Dry Lightning Impulse 1,2/50µs	1550 kV
Wet Switching Impulse	1175 kV
Wet Power frequency AC	750 kV
Routine test Imin dry 50Hz	750 kV
Rated Current	2500 A
Creepage Distance	18020 mm
Mass	1750 kg

Ordering Data:				
BUSHING	COLOUR AIR INSULATOR			
IZSC902550-AAA	BROWN			
OUTER TERMINAL				
	Max. Rated H2	D2		
	Current (A)	(mm)		
LF170 073-A	Al	2500 125 60		
LF170 073-B	Cu	4000 125 60		
LF170 073-G	Cu/Ag	4000 125 60		
LF170 073-L	Cu/Sn	4000 125 60		
LF170 073-BA	Cu/Ag	3000 125 2"-12UN		
LF170 073-AA	Cu	5000 125 96		
END-SHIELD				
LF170 046-V	EPOXY INSULATED			
LF170 046-VP	INSULATED WITH 3 mm PRESSBOARD			
DRAW ROD SYSTEM				
LF170 059-DD OR-AU	LOWER DRAW ROD WITH NI=4 OR NI=6			
LF170 057-AD	UPPER DRAW ROD			
INNER TERMINAL				
	D3	D9	Cond.area	Current (A)
	(mm)	(mm)	(mm ²)	IEC
				IEEE
LF170 056-E	0 *)	45	-	-
LF170 056-D	40	45	600	1600 1360

*) WITH PILOT HOLE D=5

No.	Um/Uy	kV Ir	A	50/60 Hz
BIL	kV	SIL	kV	AC
M	kg	L	mm	D
C1	pF	Tanδ		z
C2	pF	Tanδ		z



Prepared	2010-02-23	Responsible department	PPCO/BK	Title	
Ali Amin				GOE 1550-1175-2500-0.3	Language 82
Modified by	2010-10-13	Take over department			
Palpandi K				GOE 1550-1175-2500-0.3	Sheet no. 1
Approved by	2010-10-15	Used in product			
Urban Schander				Order	No. Shts. (1)
Revision	C Added note "Position of oil sample valve"				
Document no.				2751369-321	

