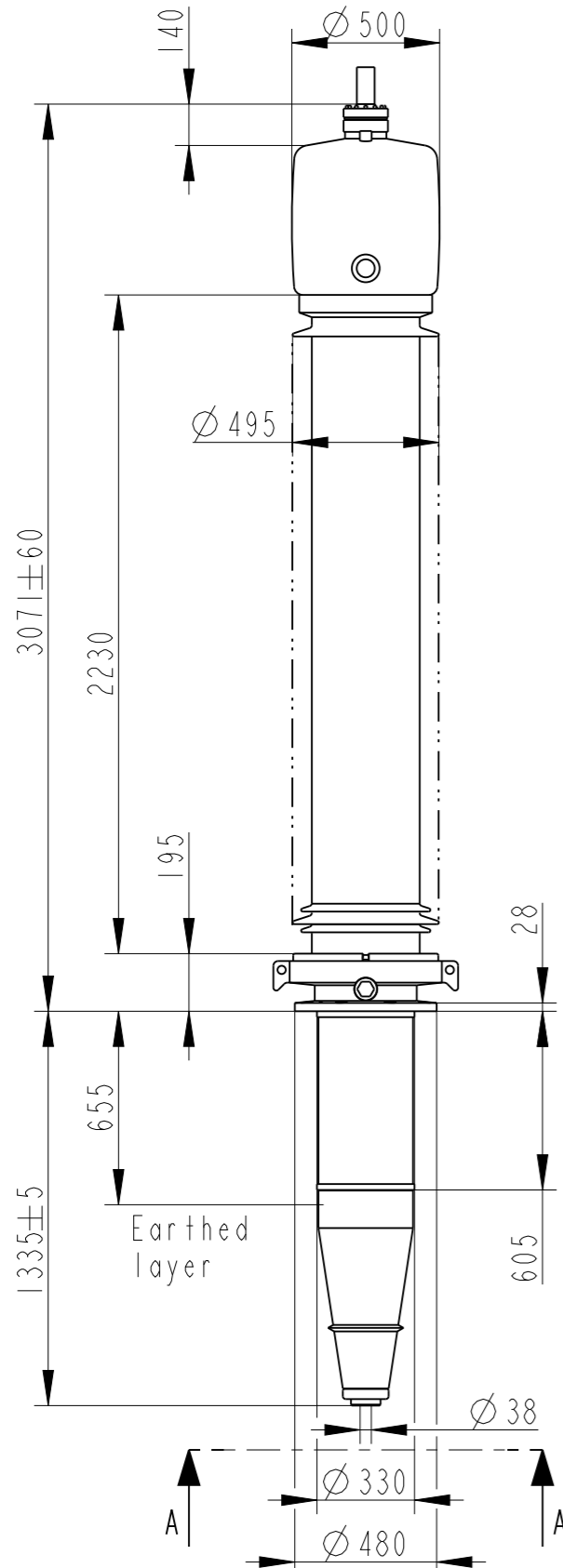


This document is issued by means of a computerized system. The digitally stored original is electronically approved. The approved document has a date entered in the "Approved"-field. A manual signature is not required.

The information contained in this document has to be kept strictly confidential. Any unauthorized use, reproduction, distribution or disclosure to third parties are strictly forbidden. ABB reserves all rights regarding Intellectual Property Rights. © Copyright 2010 ABB. All rights reserved.



Bushing Data:	
Rated Voltage	245 kV
Phase to-earth Voltage	141 kV
Dry Lightning Impulse 1,2/50µs	1050 kV
Wet Switching Impulse	750 kV
Wet Power frequency AC	480 kV
Routine test Imin dry 50Hz	505 kV
Rated Current	5000 A
Creepage Distance	8190 mm
Mass	860 kg

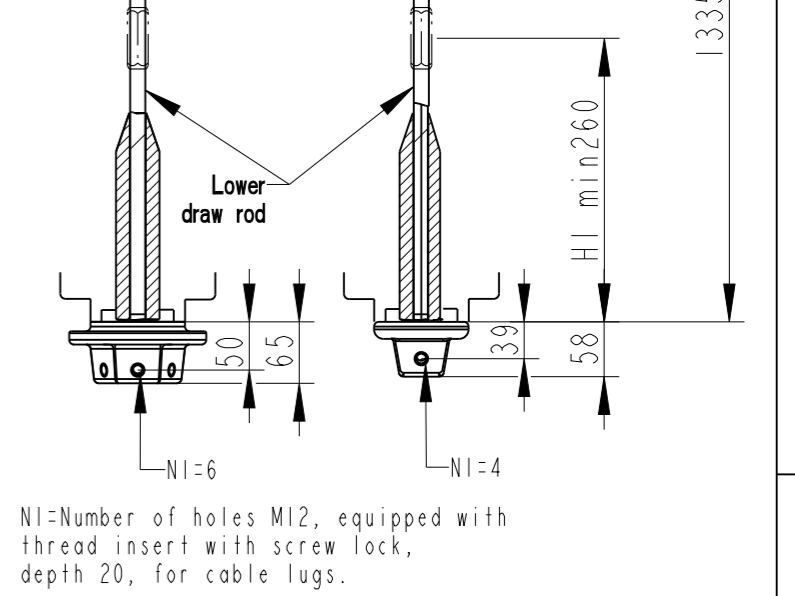
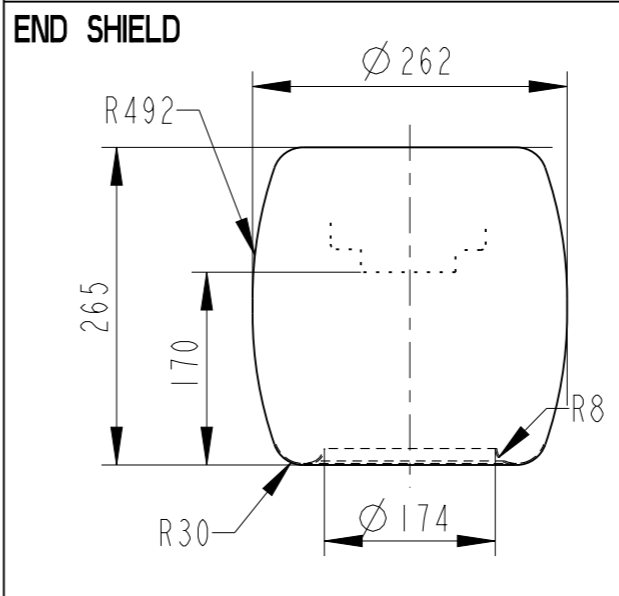
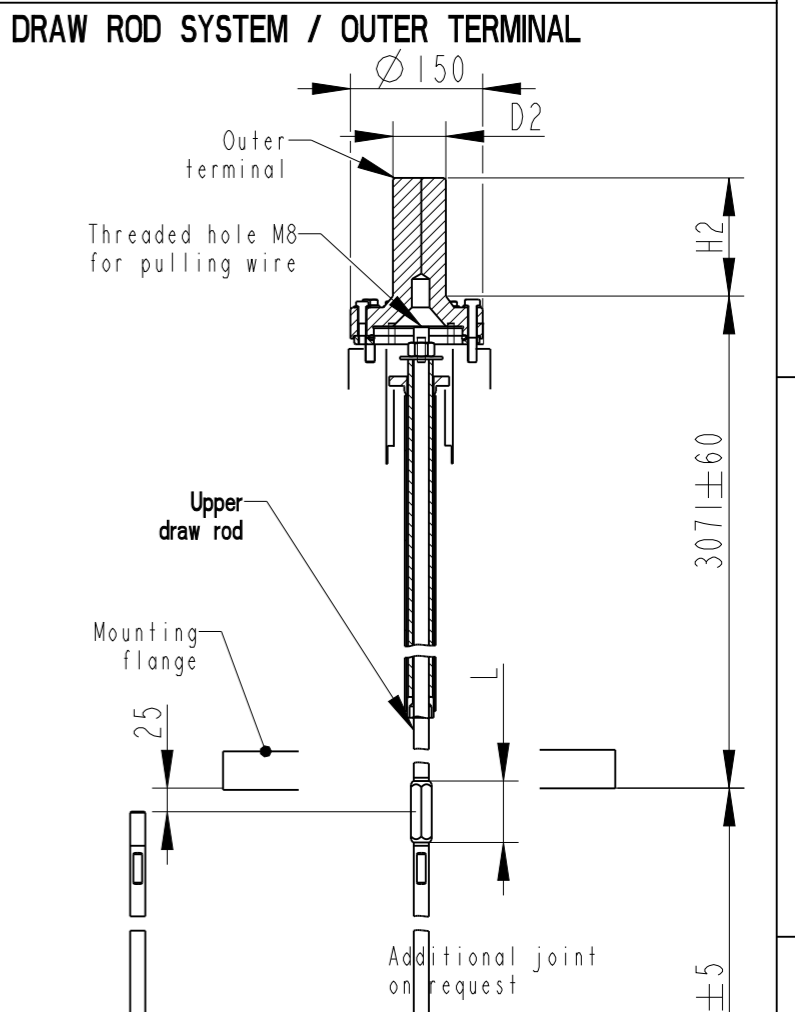
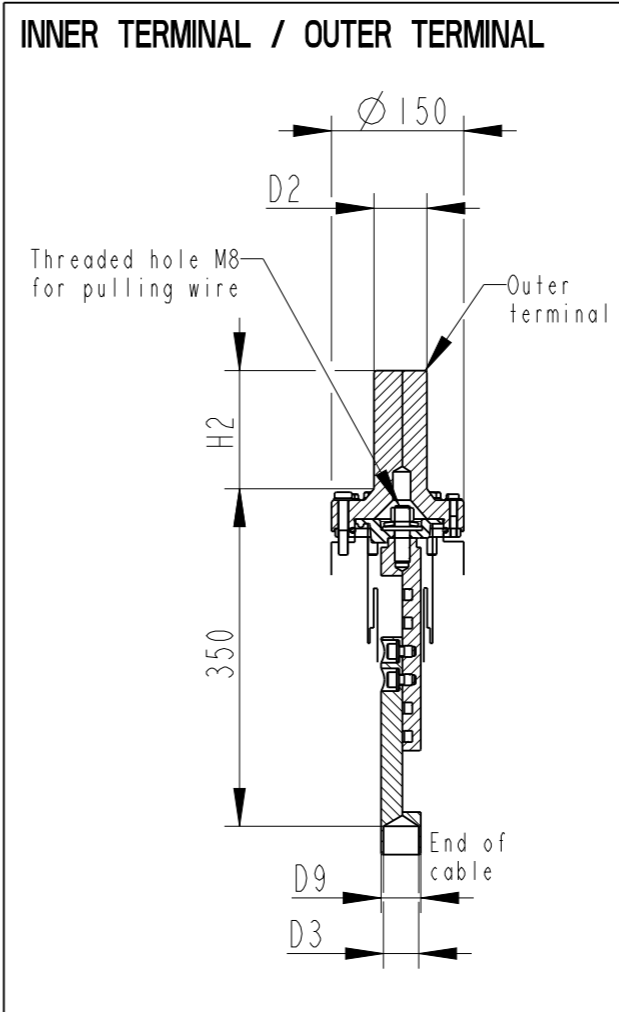
Ordering Data:	
BUSHING IZSC902245-ABB	COLOUR AIR INSULATOR BROWN
OUTER TERMINAL	Max. Rated H2 D2 Current (A) (mm) (mm)
LF170 073-A	Al 2500 125 60
LF170 073-B	Cu 4000 125 60
LF170 073-G	Cu/Ag 4000 125 60
LF170 073-L	Cu/Sn 4000 125 60
LF170 073-BA	Cu/Ag 3000 125 2"-12UN
LF170 073-AA	Cu 5000 125 96

END-SHIELD	
LF170 046-U	EPOXY INSULATED
LF170 046-UP	INSULATED WITH 3 mm PRESSBOARD

DRAW ROD SYSTEM	
LF170 059-FY OR-LV	LOWER DRAW ROD WITH NI=4 OR NI=6
LF170 057-BC	UPPER DRAW ROD

INNER TERMINAL	
	D3 D9 Cond.area Current (A) (mm) (mm)(mm ²) IEC IEEE
LF170 056-A	0 *) 35 - - 390 370
LF170 056-B	15 35 95 - 1000 830
LF170 056-C	30 35 285 - - - -

*) WITH PILOT HOLE D=5



NI=Number of holes M12, equipped with thread insert with screw lock, depth 20, for cable lugs.

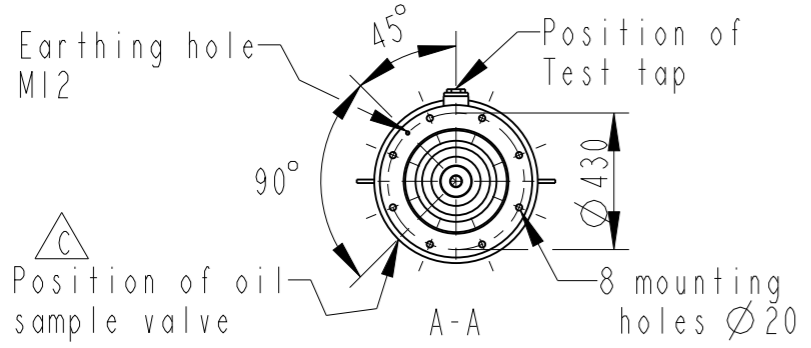


ABB		Ludvika, Sweden	
No.			
Um/Uy	kV Ir	A	50/60 Hz
BIL	kV SIL	kV AC	kV
M	kg L	mm D	
C1	pF Tanδ	z	
C2	pF Tanδ	z	

Prepared	2010-02-19	Responsible department	PPCO/BK	Title	
Ali Amin		Take over department		GOE 1050-750-5000-0.6	Language 82
Modified by	2010-10-13	Used in product		GOE 1050-750-5000-0.6	
Approved by	2010-10-15	Order			Sheet no. 1
Revision	C Added note "Position of oil sample valve"			Document no.	No. Shts. (1)
ABB				2751369-314	