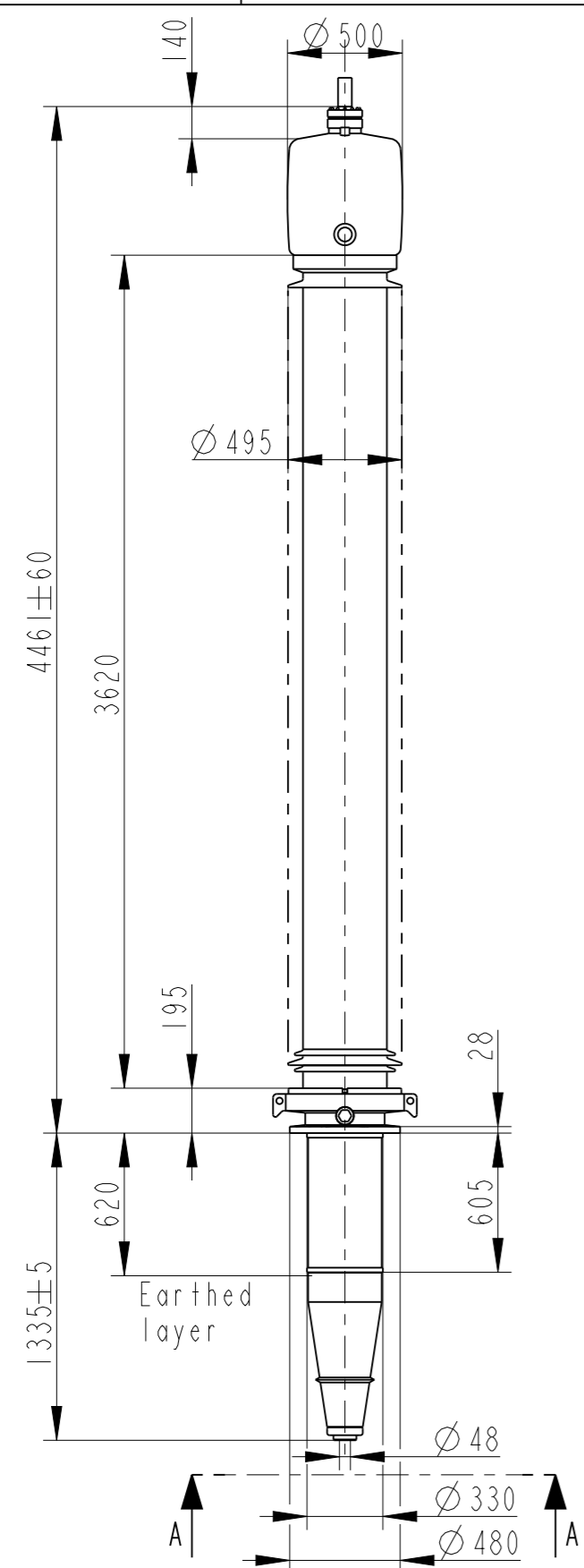


This document is issued by means of a computerized system. The digitally stored original is electronically approved. The approved document has a date entered in the "Approved"-field. A manual signature is not required.

The information contained in this document has to be kept strictly confidential. Any unauthorized use, reproduction, distribution or disclosure to third parties are strictly forbidden. ABB reserves all rights regarding Intellectual Property Rights. © Copyright 2010 ABB. All rights reserved.



Bushing Data:

Rated Voltage	420 kV
Phase to-earth Voltage	242 kV
Dry Lightning Impulse 1,2/50µs	1425 kV
Wet Switching Impulse	1150 kV
Wet Power frequency AC	695 kV
Routine test Imin dry 50Hz	680 kV
Rated Current	2500 A
Creepage Distance	13745 mm
Mass	1090 kg

Ordering Data:

BUSHING		COLOUR AIR INSULATOR		
1ZSC902420-BAB		BROWN		
OUTER TERMINAL				
		Max. Rated H2	D2	
		Current (A)(mm)	(mm)	
LF170 073-A	Al	2500 125	60	
LF170 073-B	Cu	4000 125	60	
LF170 073-G	Cu/Ag	4000 125	60	
LF170 073-L	Cu/Sn	4000 125	60	
LF170 073-BA	Cu/Ag	3000 125	2"-12UN	
LF170 073-AA	Cu	5000 125	96	
END-SHIELD				
LF170 046-U	EPOXY INSULATED			
LF170 046-UP	INSULATED WITH 3 mm PRESSBOARD			
DRAW ROD SYSTEM				
LF170 059-CV OR-AH	LOWER DRAW ROD WITH NI=4 OR NI=6			
LF170 057-T	UPPER DRAW ROD			
INNER TERMINAL				
	D3	D9	Cond.area	Current (A)
	(mm)	(mm)(mm2)	IEC	IEEE
LF170 056-E	0 *)	45 -	-	-
LF170 056-D	40	45 600	1600	1360

*) WITH PILOT HOLE D=5

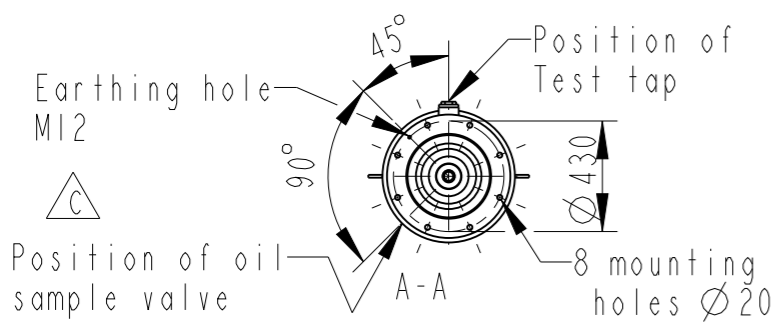
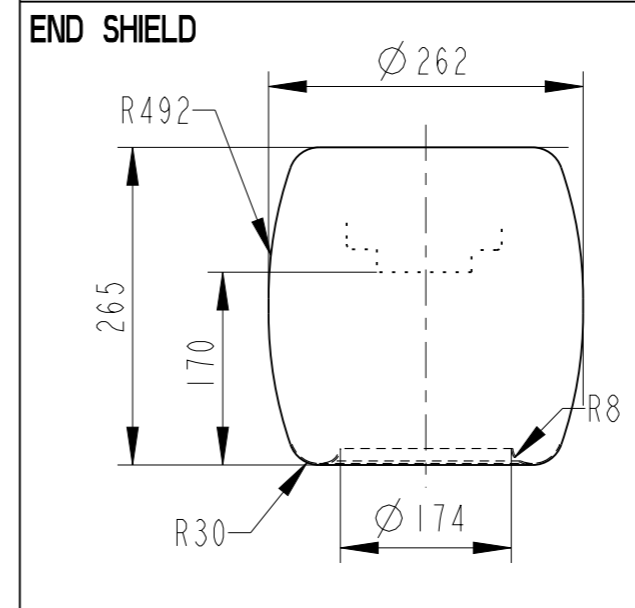
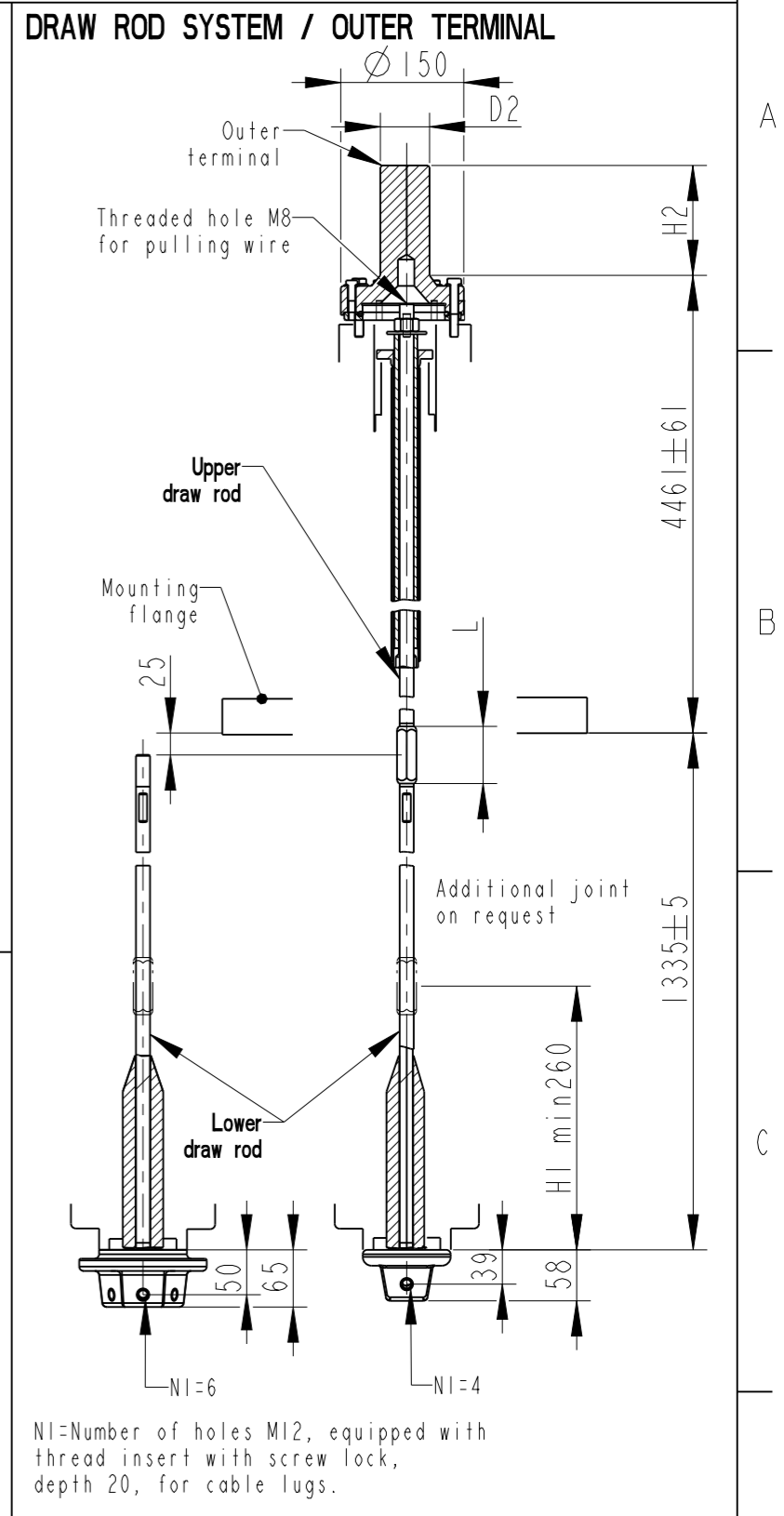
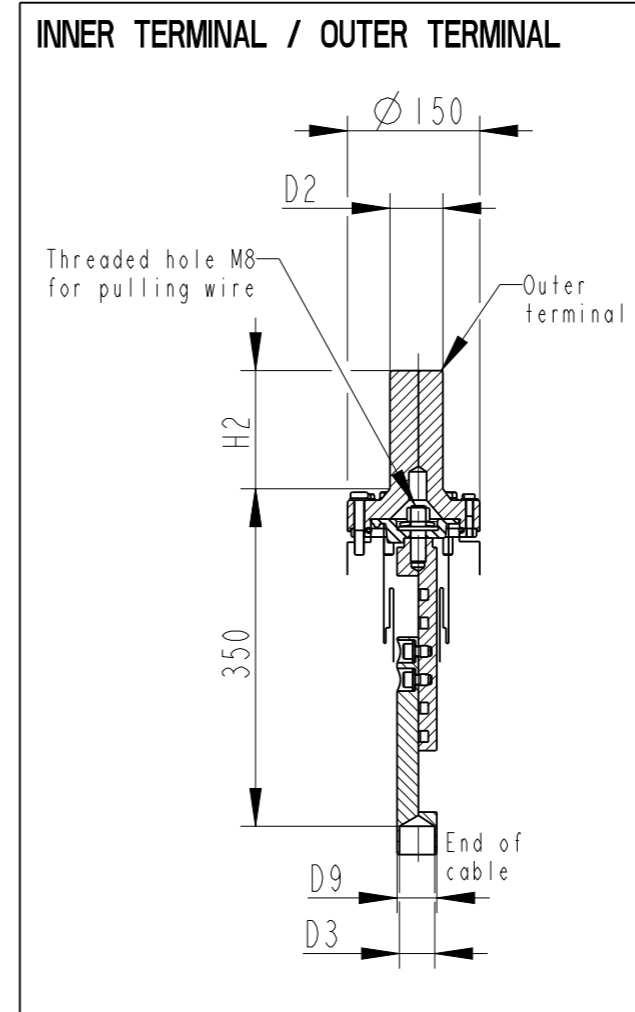


ABB Ludvika, Sweden

No.				
Um/Uy	kV Ir	A	50/60 Hz	
BIL	kV SIL	kV AC	kV	
M	kg L	mm D		
C1	pF Tanδ	z		
C2	pF Tanδ	z		

Prepared	Ali Amin	2010-02-23	Responsible department	PPCO/BK	Title	
Modified by	Palpandi K	2010-10-13	Take over department		GOE 1425-1150-2500-0.6	
Approved by	Urban Schander	2010-10-15	Used in product		GOE 1425-1150-2500-0.6	
Revision	C Added note "Position of oil sample valve"			Order		
ABB				Document no.	2751369-320	No. Shts. (1)