

**Bushing Data:**

Rated Voltage	145	kV
Phase to-earth Voltage	95	kV
Dry Lightning Impulse I, 2/50µs	450	kV
Wet Switching Impulse	350	kV
Wet Power frequency AC	210	kV
Routine test Imin dry 50Hz	210	kV
Rated Current	5000	A
Creepage Distance	2870	mm
Mass	295	kg

**Ordering Data:**

**BUSHING**  
 LF121057 -D / -AD COLOUR AIR INSULATOR  
 BROWN / LIGHT GREY

**OUTER TERMINAL**

LF170 073-A Al	H2 (mm)	D2 (mm)
LF170 073-B Cu	125	60
LF170 073-G Cu/Ag	125	60
LF170 073-G Cu/Ag	125	60

OTHER TYPES ON REQUEST

**END-SHIELD**

LF170 046-U EPOXY INSULATED  
 LF170 046-UP INSULATED WITH 3 mm PRESSBOARD

**DRAW ROD SYSTEM**

LF170 059 LOWER DRAW ROD WITH NI=4 OR NI=6  
 LF170 057 UPPER DRAW ROD

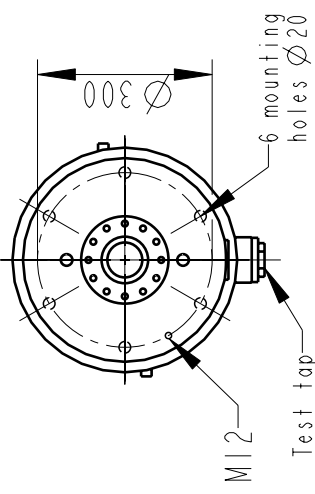
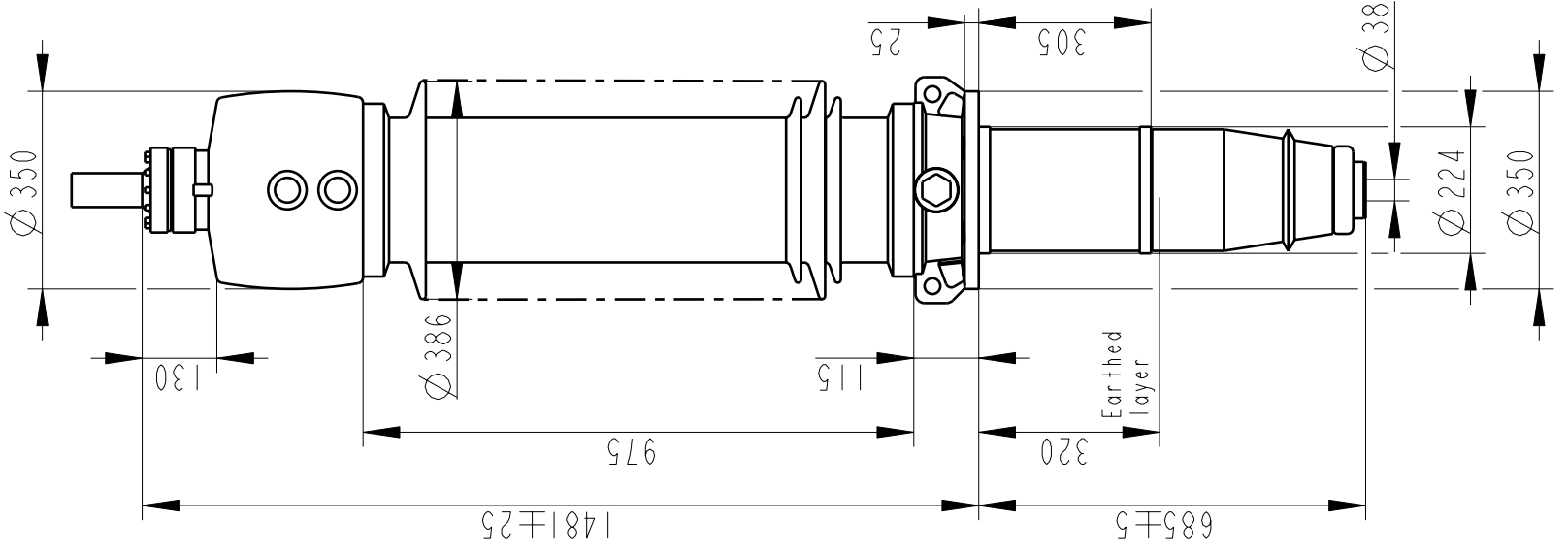
**INNER TERMINAL**

D3 (mm)	D9 (mm)	Cond. area (mm <sup>2</sup> )	Current (A) IEC	Current (A) IEEE
LF170 056-A O*)	35	-	-	-
LF170 056-B 15	35	95	390	370
LF170 056-C 30	35	285	1000	830

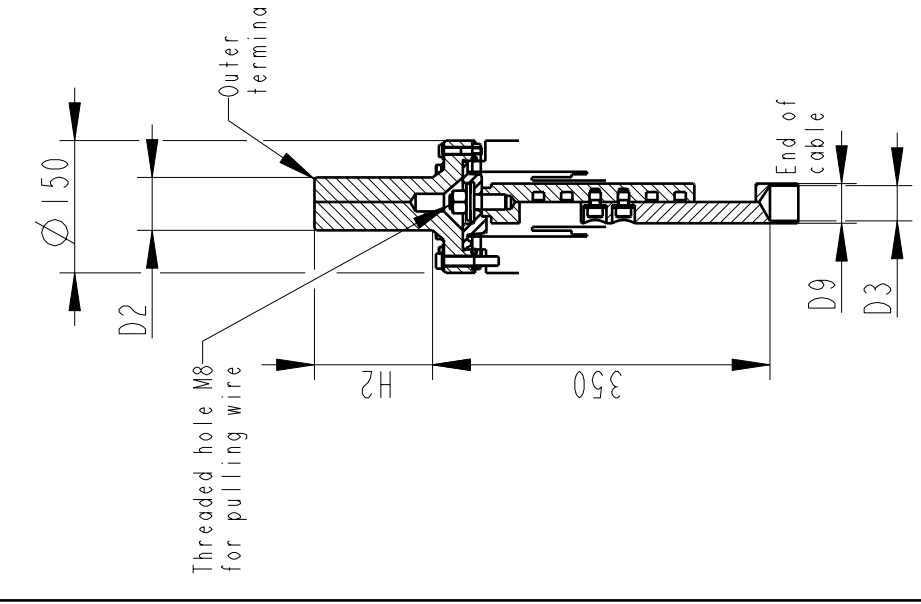
\*) WITH PILOT HOLE D=5

**ABB Components** Lutha, Sweden

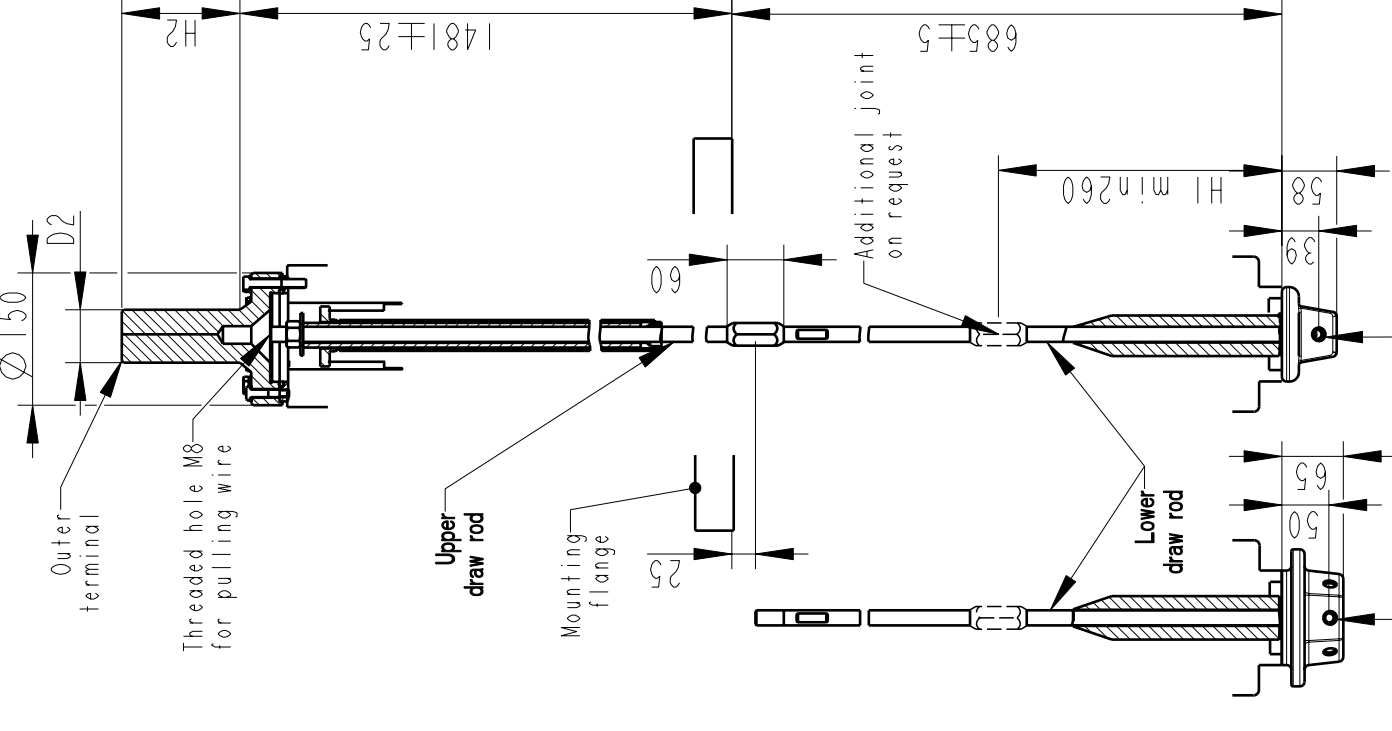
No.	kV I	A	50/60 Hz
U	kV SI	kV AC	kV
M	kg L	mm D	
C1	pF Tanδ		
C2	pF Tanδ		



**INNER TERMINAL / OUTER TERMINAL**

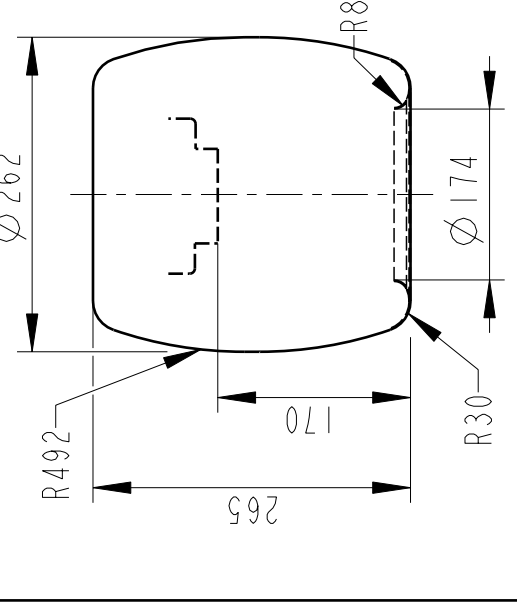


**DRAW ROD SYSTEM / OUTER TERMINAL**



NI=Number of holes M12, equipped with thread insert with screw lock, depth 20, for cable lugs.

**END SHIELD**



We reserve all rights in this document and in the information contained therein. Reproduction, use or disclosure to third parties without express authority is strictly forbidden.

Based on	Reg. No.	Title
Prepared	Responsible department	GOE-450-350-5000-0.3
Lövnord	COM/BK 0022	
Approved	Take over department	
Johansson	Database	
Design engineering review		
Gutman		
ABB ABB Components		Document No. 2751369-84
		Page 1(1)
		Language 82