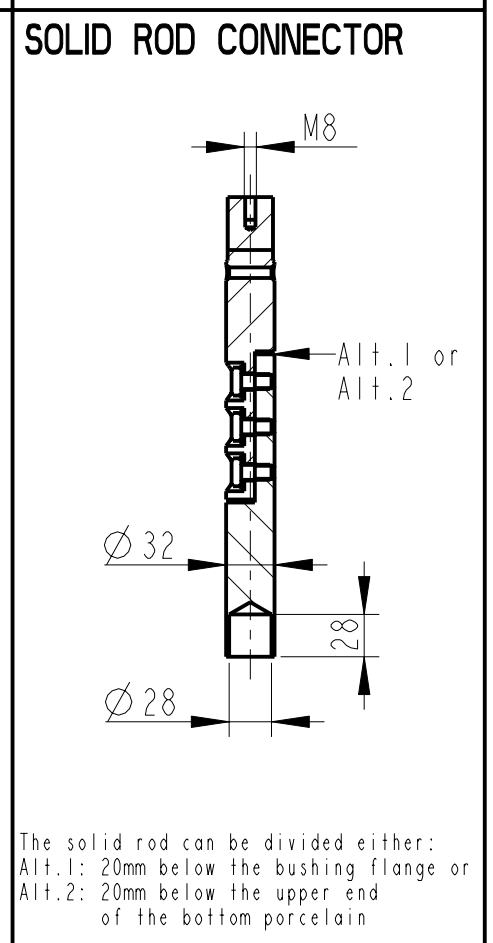
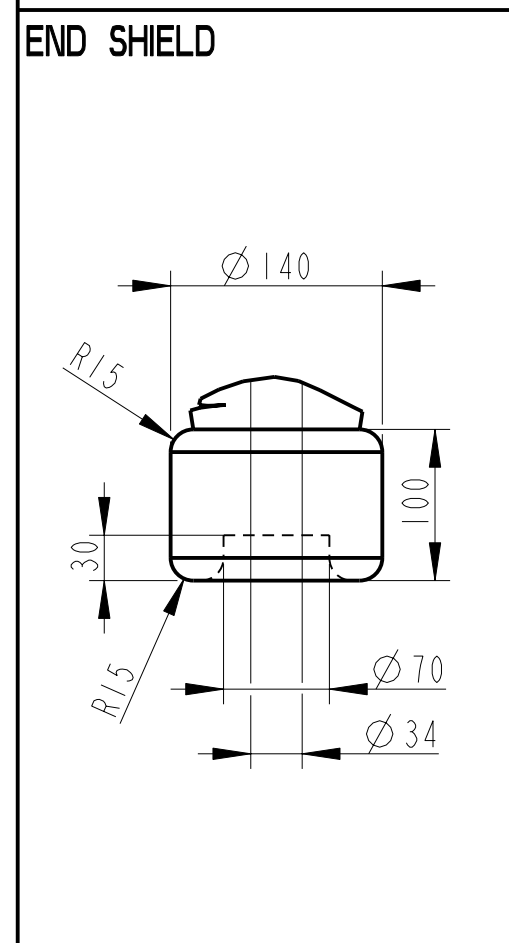
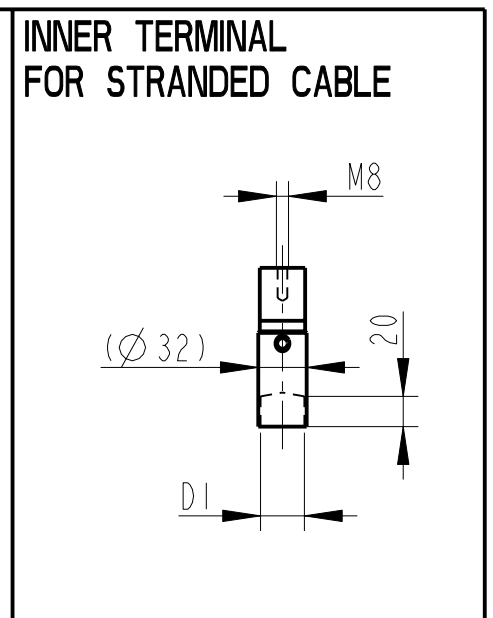
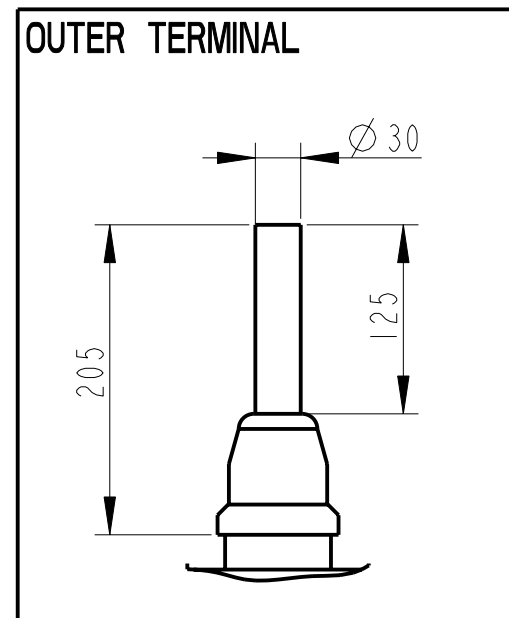
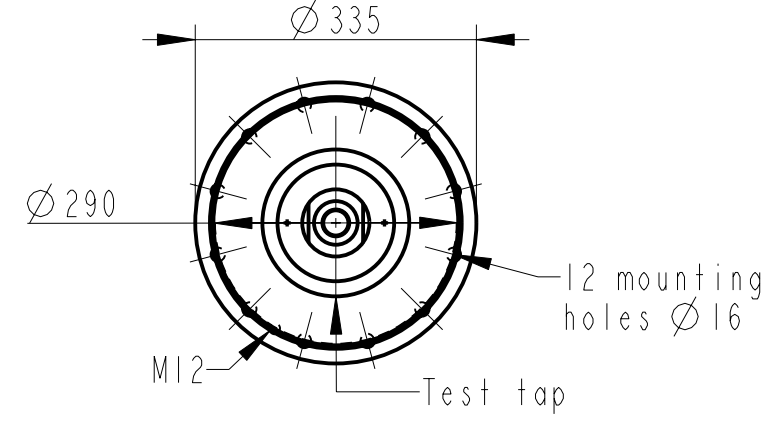
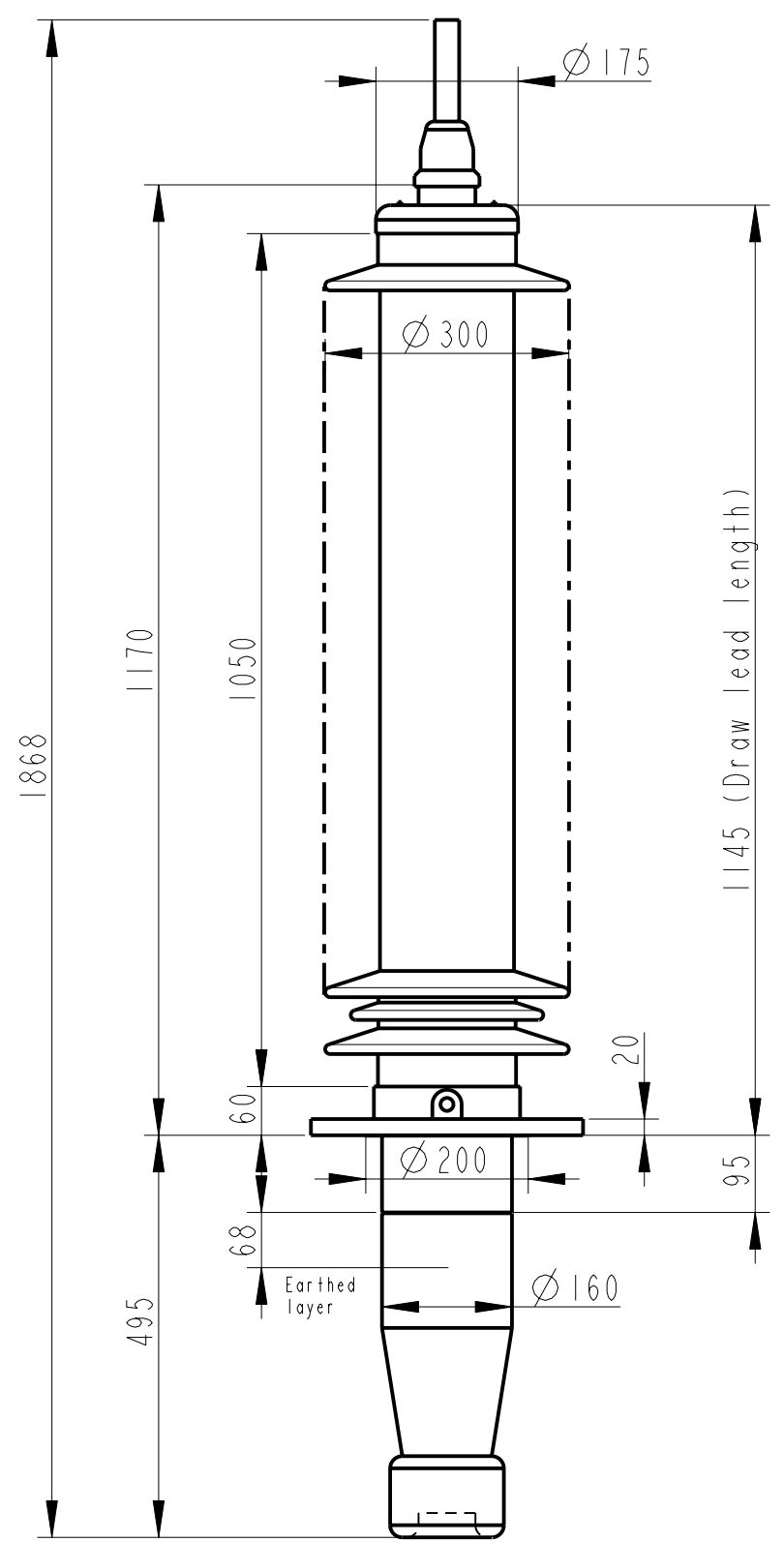


Rev	Ind	Revision	Appd	Date
1			TL	01-38



The solid rod can be divided either:
 Alt.1: 20mm below the bushing flange or
 Alt.2: 20mm below the upper end of the bottom porcelain

Bushing Data:

Rated Voltage	170	kV
Phase to Ground Voltage	123	kV
Dry Lightning Impulse 1,2/50μs	550	kV
Wet power frequency AC	230	kV
Routine test 1min dry 50Hz	260	kV
Rated Current	1250	A
Creepage Distance	3430±100	mm
Creepage Distance Protected	1350	mm
Mass	105	kg

Ordering Data:

BUSHING	COLOUR AIR INSULATOR
LF123065-K	BROWN
-L	LIGHT GREY
OUTER TERMINAL	
LF 170 002-B	Cu, Ø 30, L=125
LF 170 001-B	Al, Ø 30, L=125
OTHER TYPES ON REQUEST	
INNER TERMINAL FOR STRANDED CABLE	
For brazing	Conductor area D1
LF 170 011-T	up to 285mm ² Ø 29
LF 170 011-V	Undrilled with pilot hole Ø 5
SOLID ROD CONNECTOR	
LF 170 052 -AM	for Alt.1
N/A for Alt.2	

ABB Components Luleå, Sweden	
No. $\frac{U}{U_0}$ / SI / AC	kV kV A 50/60 Hz kV
M kg L mm V	
C PF Tan δ	
C2 PF Tan δ	

Based on	Reg. No.
Prepared Lövnord	Responsible department COM/BK 0036
Approved Johansson	Take over department
Design engineering review Gudmundsson	Database
ABB ABB Components	

Title	Page
GOB 550-1250-0 WITHOUT OIL LEVEL GAUGE SHORT END SHIELD	1(1)
Document No.	
2751369-151	

We reserve all rights in this document and in the information contained therein. Reproduction, use or disclosure to third parties without express authority is strictly forbidden. ©ABB