

Bushing Data:

Rated Voltage	362	kV
Phase to-earth Voltage	220	kV
Dry Lightning Impulse I, 2/50µs	950	kV
Wet Switching Impulse	700	kV
Wet Power frequency AC	425	kV
Routine test Imin dry 50Hz	435	kV
Rated Current	5000	A
Creepage Distance	6245	mm
Mass	745	kg

Ordering Data:

BUSHING
 LF121062 -F / -AF COLOUR AIR INSULATOR
 BROWN / LIGHT GREY

OUTER TERMINAL

LF170 073-A Al	H2 (mm)	D2 (mm)
LF170 073-B Cu	125	60
LF170 073-G Cu/Ag	125	60
OTHER TYPES ON REQUEST	125	60

END-SHIELD

LF170 046-U EPOXY INSULATED
 LF170 046-UP INSULATED WITH 3 mm PRESSBOARD

DRAW ROD SYSTEM

LF170 059 LOWER DRAW ROD WITH NI=4 OR NI=6
 LF170 057 UPPER DRAW ROD

INNER TERMINAL

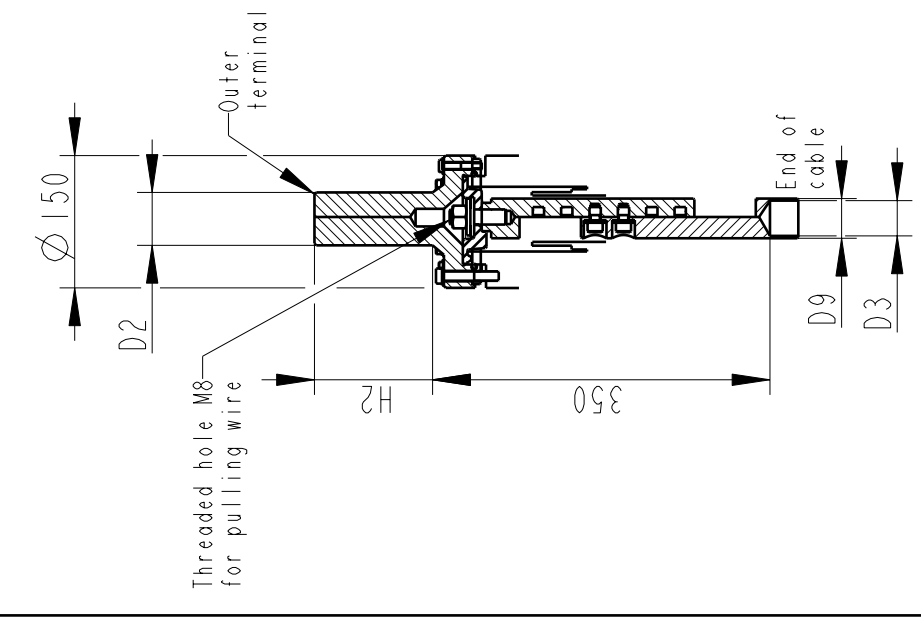
D3 (mm)	D9 (mm)	Cond. area (mm ²)	Current (A) IEC	Current (A) IEEE
LF170 056-A 0 *)	35	-	-	-
LF170 056-B 15	35	95	390	370
LF170 056-C 30	35	285	1000	830

*) WITH PILOT HOLE D=5

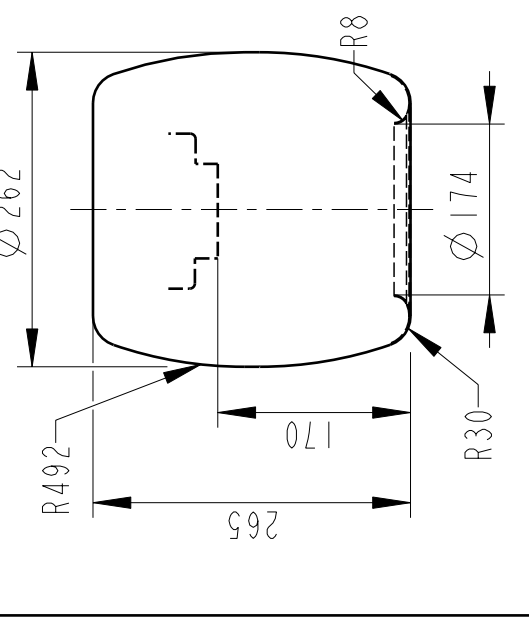
ABB Components Lutha, Sweden

No.	kV	Hz
U	1	50/60
U	1	50/60
M	kg	L
C1	pF	Tanδ
C2	pF	Tanδ

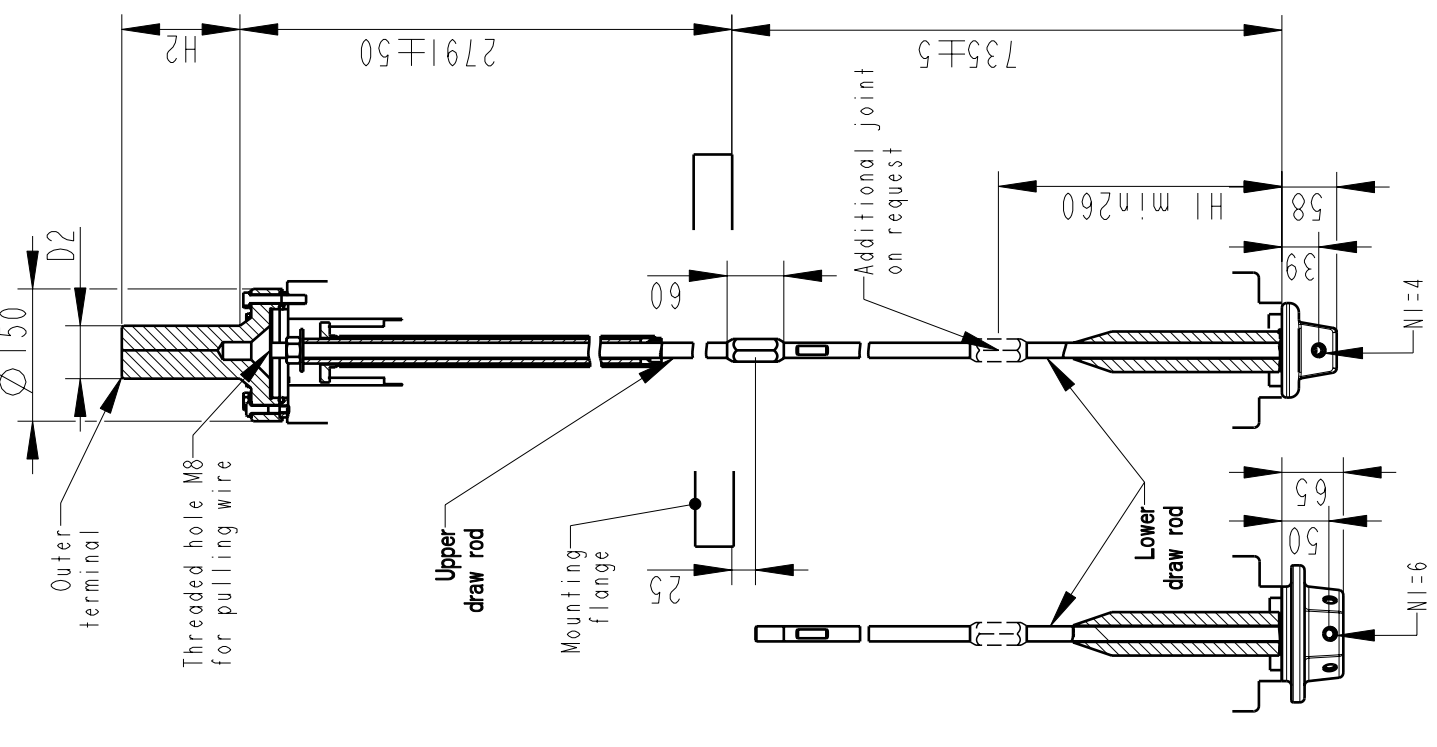
INNER TERMINAL / OUTER TERMINAL



END SHIELD



DRAW ROD SYSTEM / OUTER TERMINAL



NI=Number of holes M12, equipped with thread insert with screw lock, depth 20, for cable lugs.

Based on	Reg. No.	Title
Prepared	Responsible department	GOE-950-700-5000-0
Lövnord	COM/BK 0022	
Approved	Take over department	
Johansson	Database	
Design engineering review		
Gutman		
ABB ABB Components		Document No. 2751369-89