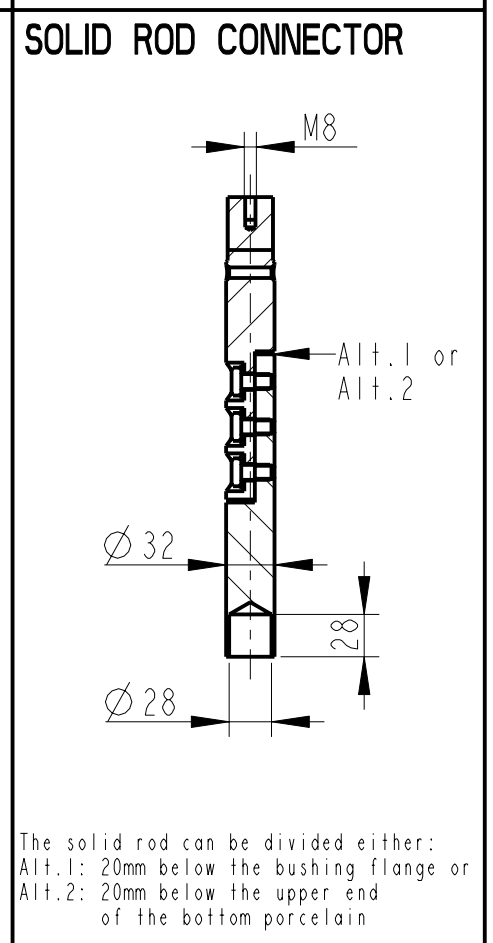
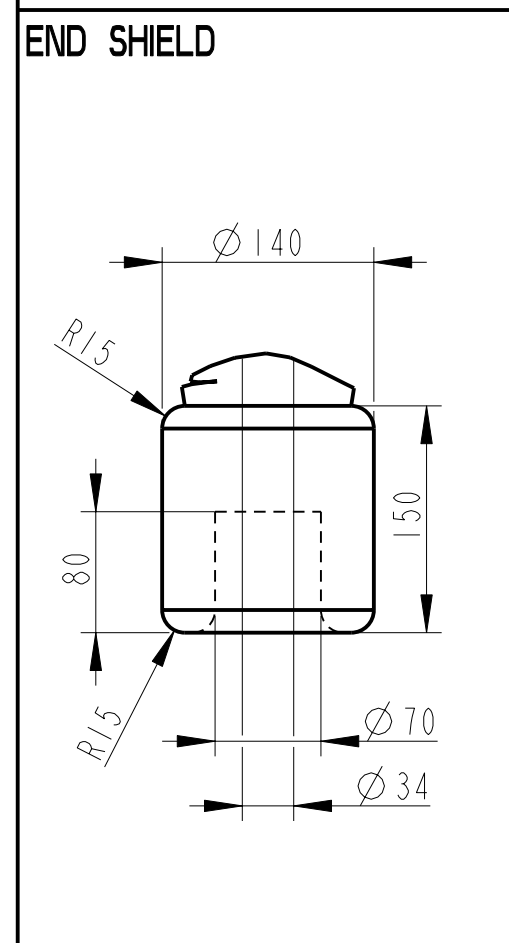
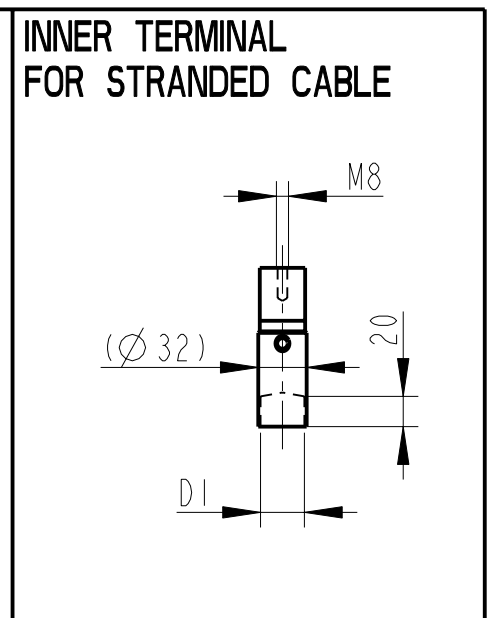
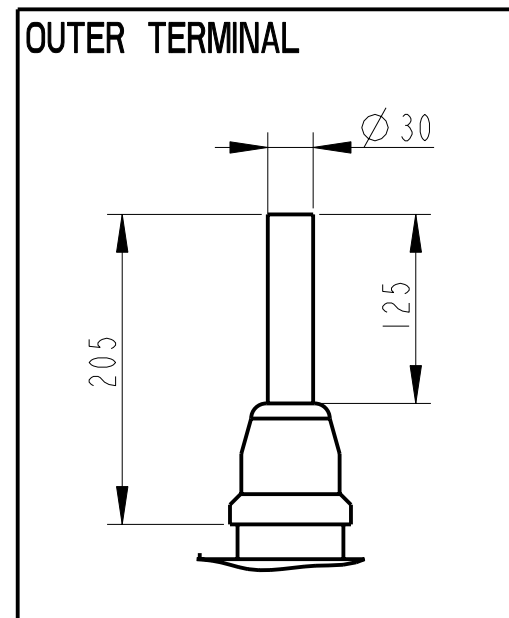
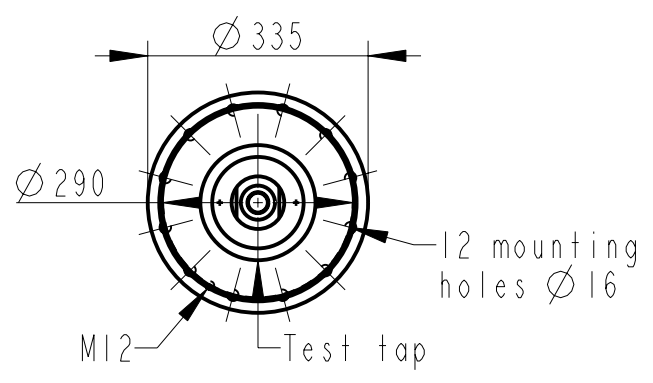
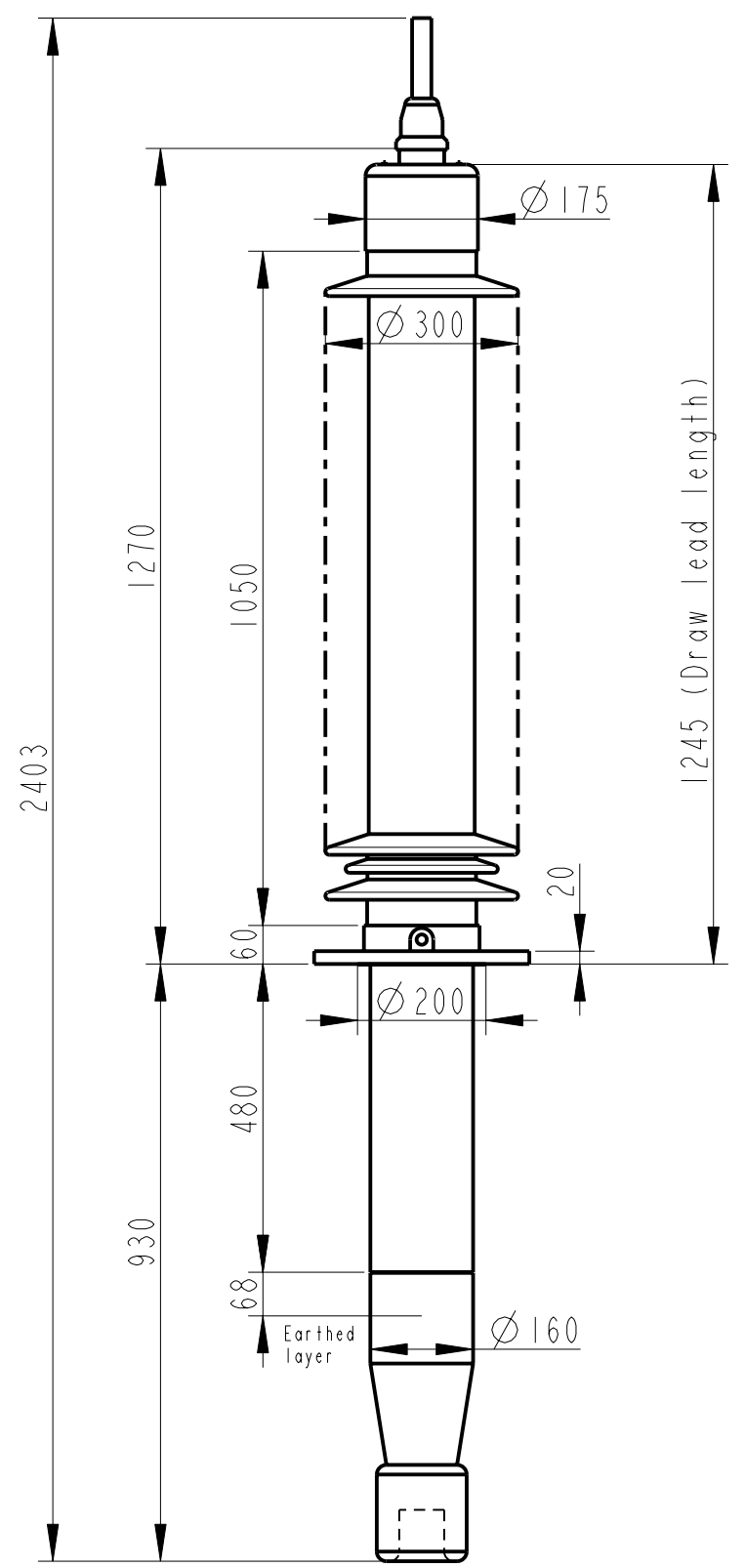


Rev	Ind	Revision	Appd	Date
1			TL	01-38



The solid rod can be divided either:  
 Alt.1: 20mm below the bushing flange or  
 Alt.2: 20mm below the upper end of the bottom porcelain

### Bushing Data:

Rated Voltage	170	kV
Phase to Ground Voltage	123	kV
Dry Lightning Impulse 1,2/50µs	550	kV
Wet power frequency AC	230	kV
Routine test 1min dry 50Hz	260	kV
Rated Current	1250	A
Creepage Distance	3430±100	mm
Creepage Distance Protected	1350	mm
Mass	115	kg

### Ordering Data:

<b>BUSHING</b>	COLOUR AIR INSULATOR
LF123109-M	BROWN
-N	LIGHT GREY
<b>OUTER TERMINAL</b>	
LF 170 002-B	Cu, Ø 30, L=125
LF 170 001-B	Al, Ø 30, L=125
OTHER TYPES ON REQUEST	
<b>INNER TERMINAL FOR STRANDED CABLE</b>	
For brazing	Conductor area DI
LF 170 011-T	up to 285mm <sup>2</sup> Ø 29
LF 170 011-V	Undrilled with pilot hole Ø 5
<b>SOLID ROD CONNECTOR</b>	
LF 170 052 -AR	for Alt.1
LF 170 052 -AS	for Alt.2

<b>ABB Components</b> Luleå, Sweden	
No. $\bigcirc$	kv kv
U <sub>1</sub> / S <sub>1</sub> / AC	A 50/60 Hz
M	kg L mm V
C1	PF Tan δ
C2	PF Tan δ

Based on	Reg. No.
Prepared Lövnord	Responsible department COM/BK 0036
Approved Johansson	Take over department
Design engineering review Gudmundsson	Database
<b>ABB</b> ABB Components	

Title	Page
GOB 550-1250-0.5 WITHOUT OIL LEVEL GAUGE LONG END SHIELD	1(1)
Document No.	
2751369-156	

We reserve all rights in this document and in the information contained therein. Reproduction, use or disclosure to third parties without express authority is strictly forbidden. ©ABB