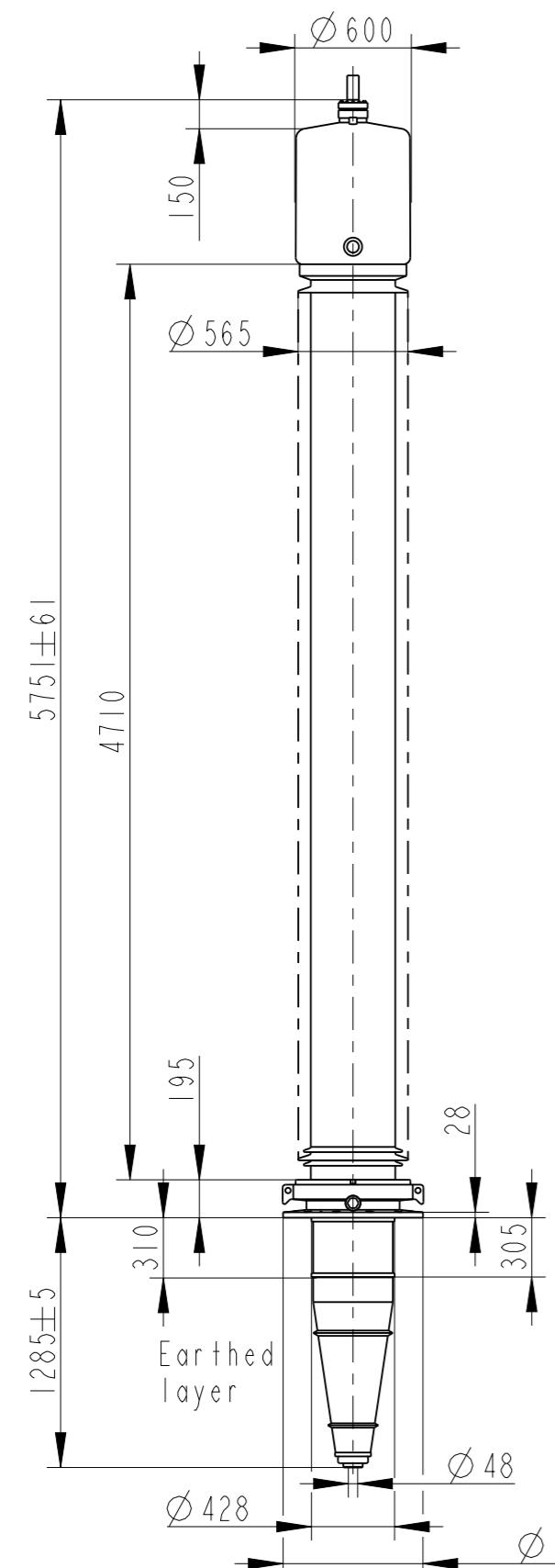


This document is issued by means of a computerized system. The digitally stored original is electronically approved. The approved document has a date entered in the "Approved"-field. A manual signature is not required.

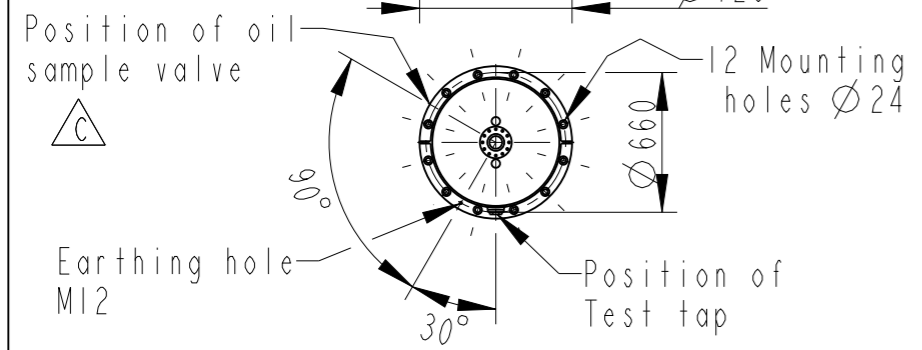
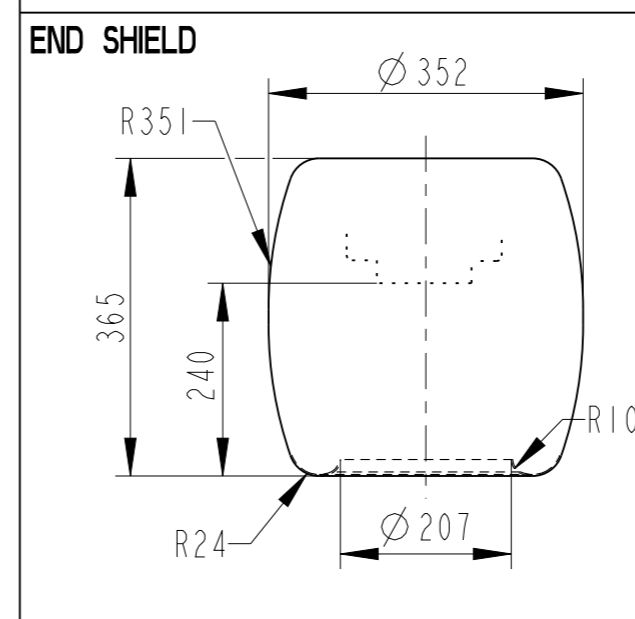
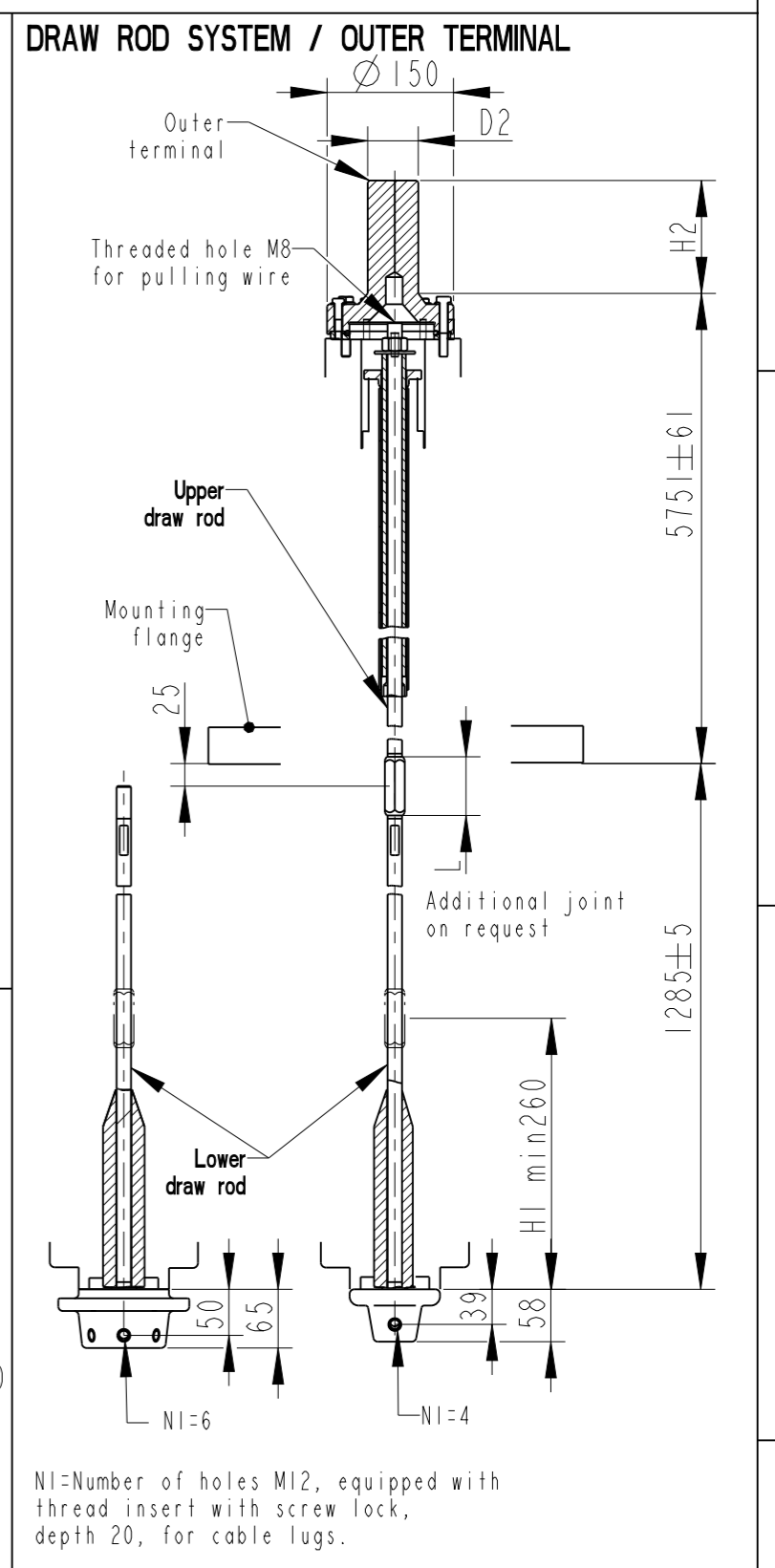
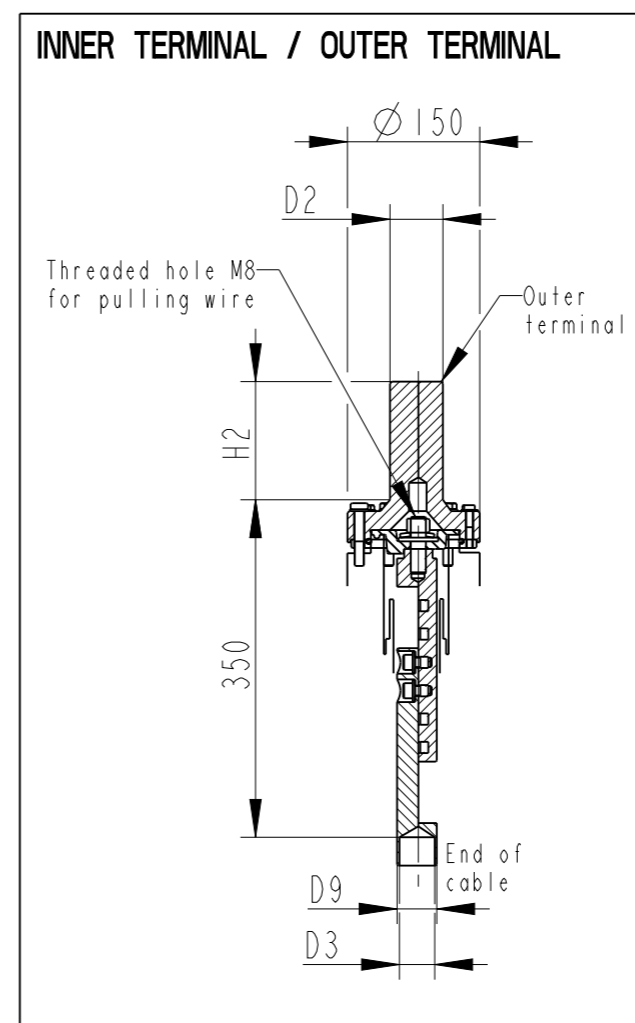
The information contained in this document has to be kept strictly confidential. Any unauthorized use, reproduction, distribution or disclosure to third parties are strictly forbidden. ABB reserves all rights regarding Intellectual Property Rights. © Copyright 2010 ABB. All rights reserved.



Bushing Data:	
Rated Voltage	550 kV
Phase to-earth Voltage	318 kV
Dry Lightning Impulse 1,2/50µs	1675 kV
Wet Switching Impulse	1300 kV
Wet Power frequency AC	870 kV
Routine test Imin dry 50Hz	800 kV
Rated Current	2500 A
Creepage Distance	18020 mm
Mass	1750 kg

Ordering Data:	
<b>BUSHING</b> IZSC902550-CAA	COLOUR AIR INSULATOR BROWN
<b>OUTER TERMINAL</b>	Max. Rated H2 D2 Current (A) (mm) (mm)
LF170 073-A Al	2500 125 60
LF170 073-B Cu	4000 125 60
LF170 073-G Cu/Ag	4000 125 60
LF170 073-L Cu/Sn	4000 125 60
LF170 073-BA Cu/Ag	3000 125 2"-12UN
LF170 073-AA Cu	5000 125 96
<b>END-SHIELD</b>	EPOXY INSULATED INSULATED WITH 3 mm PRESSBOARD
LF170 046-V	EPOXY INSULATED
LF170 046-VP	INSULATED WITH 3 mm PRESSBOARD
<b>DRAW ROD SYSTEM</b>	LF170 059-DD OR-AU LOWER DRAW ROD WITH NI=4 OR NI=6 LF170 057-AD UPPER DRAW ROD
<b>INNER TERMINAL</b>	D3 D9 Cond.area Current (A) (mm) (mm)(mm2) IEC IEEE
LF170 056-E	0 *) 45 - - -
LF170 056-D	40 45 600 1600 1360

\*) WITH PILOT HOLE D=5



No.	Um/Uy	kV Ir	A	50/60 Hz
BIL	kV SIL	kV AC	kV	kV
M	kg L	mm D		
C1	pF Tanδ	r		
C2	pF Tanδ	r		

Prepared	2010-02-24	Responsible department	PPCO/BK	Title	
Ali Amin		Take over department		GOE 1800-1360-2500-0.3	Language 82
Modified by	2010-10-13	Used in product		GOE 1800-1360-2500-0.3	
Approved by	2010-10-15	Order			Sheet no. 1
Revision	C Added note "Position of oil sample valve"			Document no.	No. Shts. (1)



2751369-325