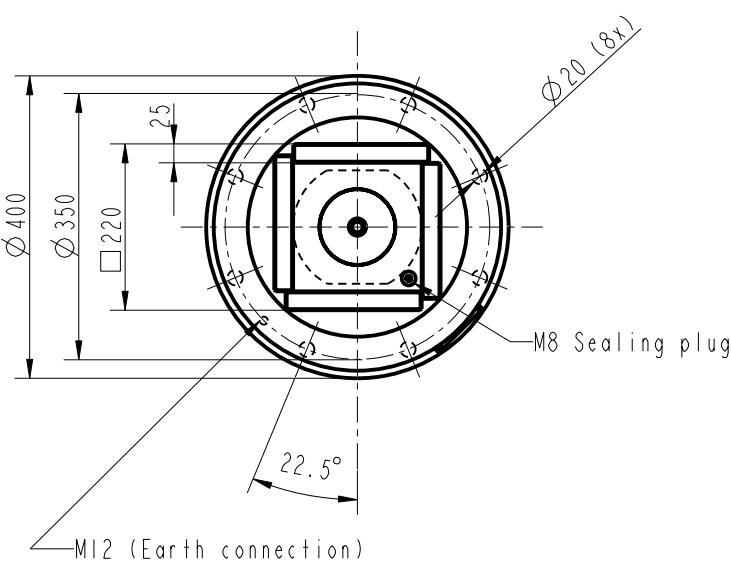
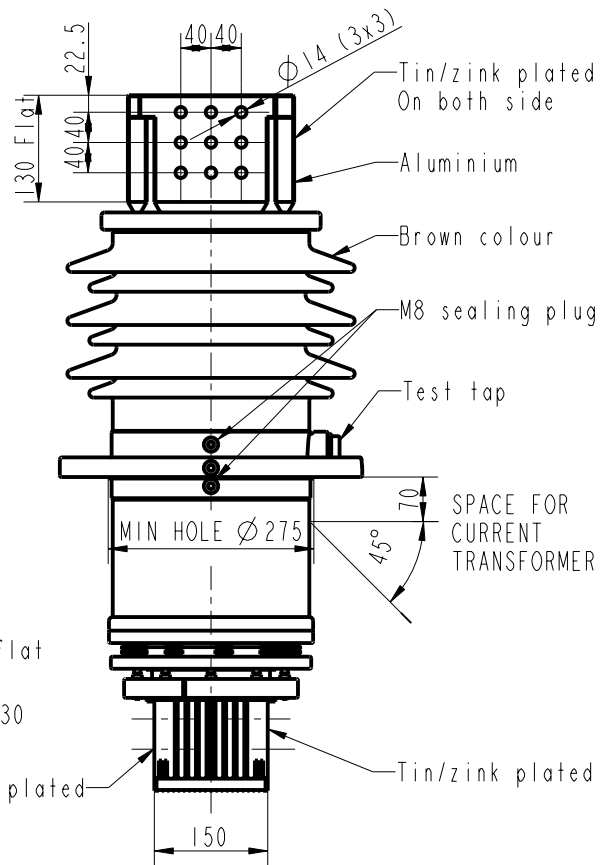
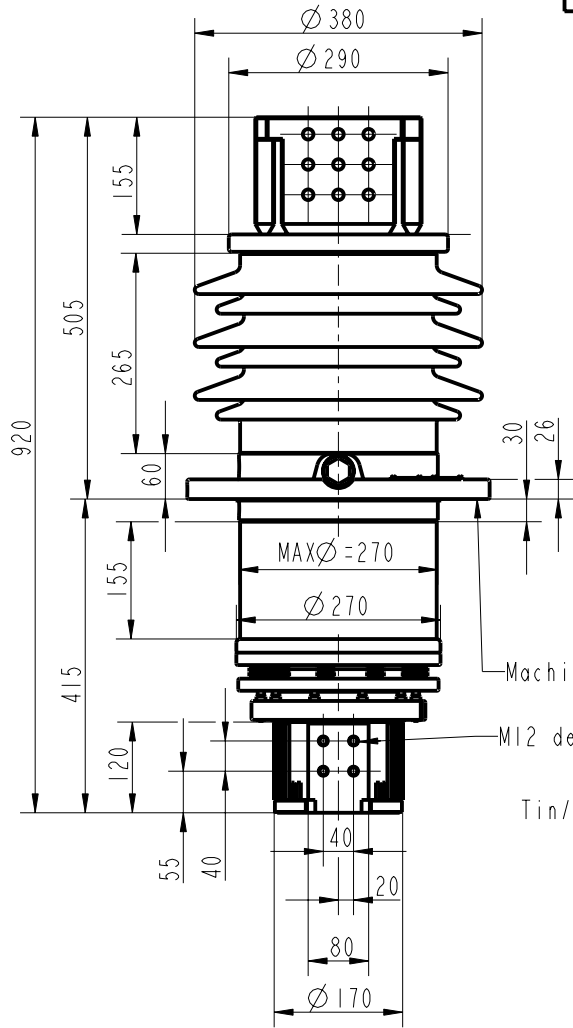


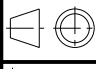

Rev Ind	Revision	Appd	Date
2	New current ref IZSE...	MC	05 19



Signatures acc. to revision 0 are valid  
Signaturer enligt revision 0 gäller

RATING	IEC	ANSI
RATED VOLTAGE (KV)	36	-
PHASE TO GROUND MAX. (kV)	36	22
POWER FREQUENCY WET (kV)	70	75
POWER FREQUENCY DRY (kV)	70	80
LIGHTNING IMPULSE (kV)	170	200
INSULATION CLASS (kV)	-	34.5
CURRENT CARRYING CAPACITY ACC. TO IZSE2750-107		
CREEPAGE DISTANCE 760 mm		
MASS 100 kg		
CATALOGUE NUMBER LF 126 007-A		

Inspection engineering review  
 Design engineering review  
 Production engineering review  
 HOLMSTRÖM

Based on	Reg. No.	Title <b>BUSHING GOH 170-10</b> <b>GENOMFÖRING GOH 170-10</b>	 Language <b>82</b>
Prepared JANSSON	Responsible department COM/KB 91 40		
Approved HEYMAN	Take over department	Page <b>1 (1)</b>	
Revision	Database		
		Document No. <b>2751312-15</b>	

We reserve all rights in this document and in the information contained therein. Reproduction, use or disclosure to third parties without express authority is strictly forbidden.

