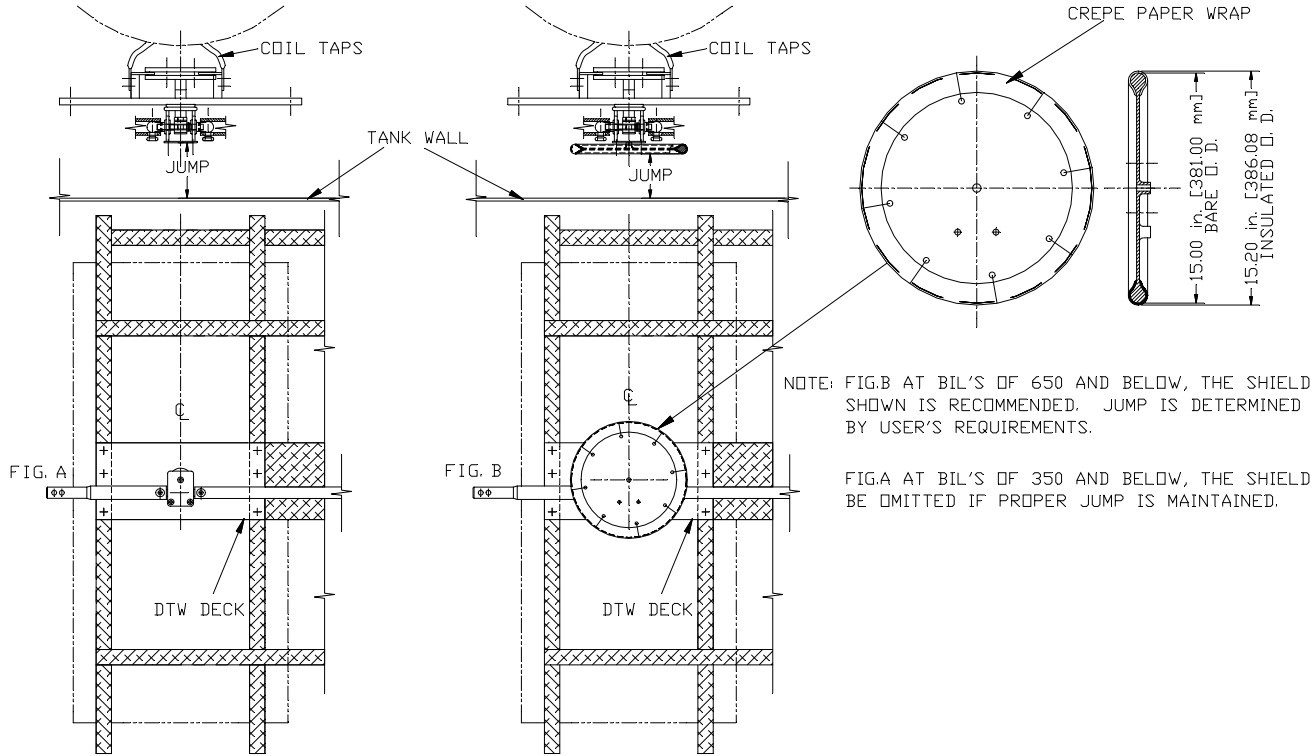


LEVEL 1 SHIELDING SEE INSTRUCTION LEAFLET IL44-751-1



WE RESERVE ALL RIGHTS IN THIS DOCUMENT AND IN THE INFORMATION CONTAINED HEREIN. REPRODUCTION, USE OR DISCLOSURE TO THIRD PARTIES WITHOUT EXPRESS AUTHORITY IS STRICTLY FORBIDDEN. ABB

1 ACTIVE USE IN REVISIONS	ABB Inc. ALAMD, TN U.S.A.		<b>ABB</b>
	TITLE: LEVEL 1 SHIELDING ASSEMBLY FOR DTW		
	RESP. DEPT.: COMPONENTS	UNITS= INCHES	DRAWING NO:
	DRWN: R. VANDENBOSCH 12/06/01	SCALE= DD NOT	1C29195
CHKD:	LANG.= ENGLISH		
APPD:			