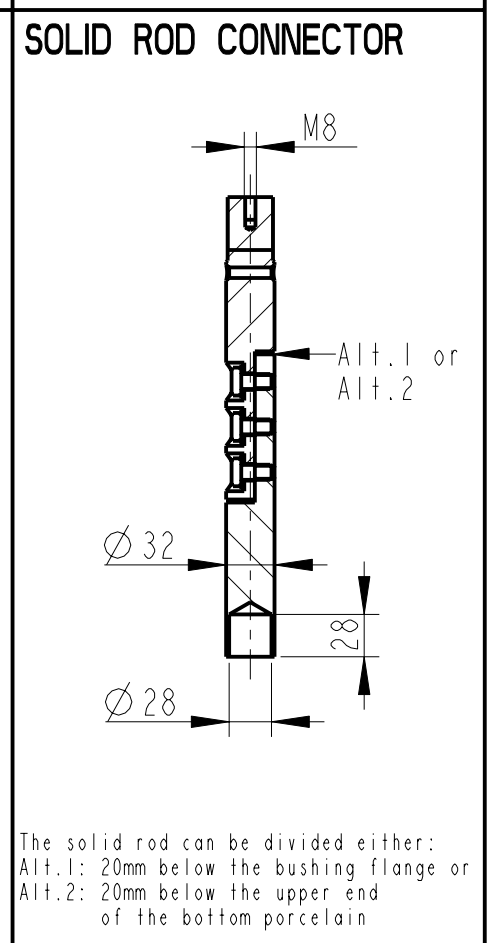
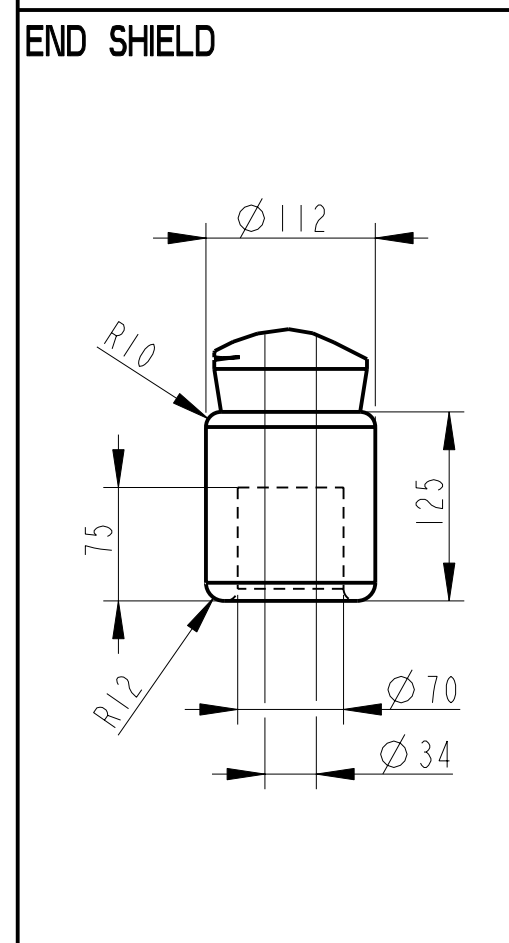
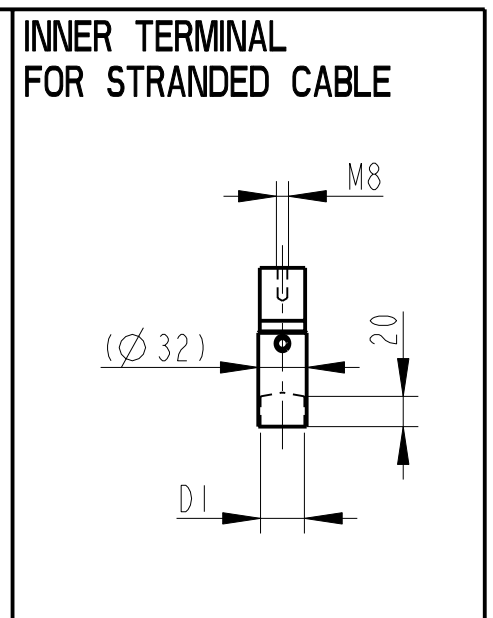
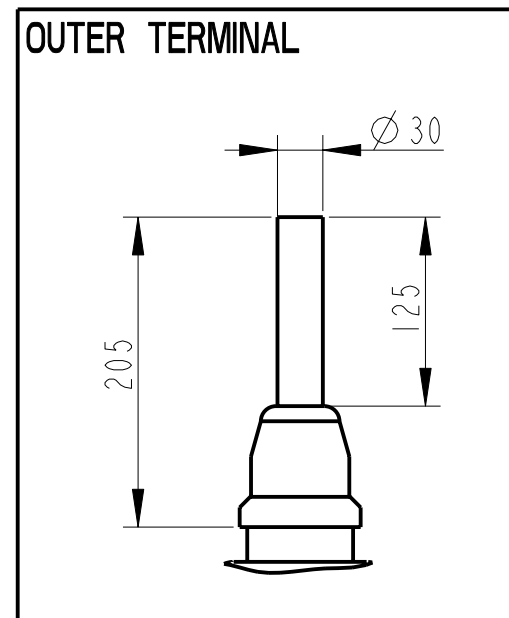
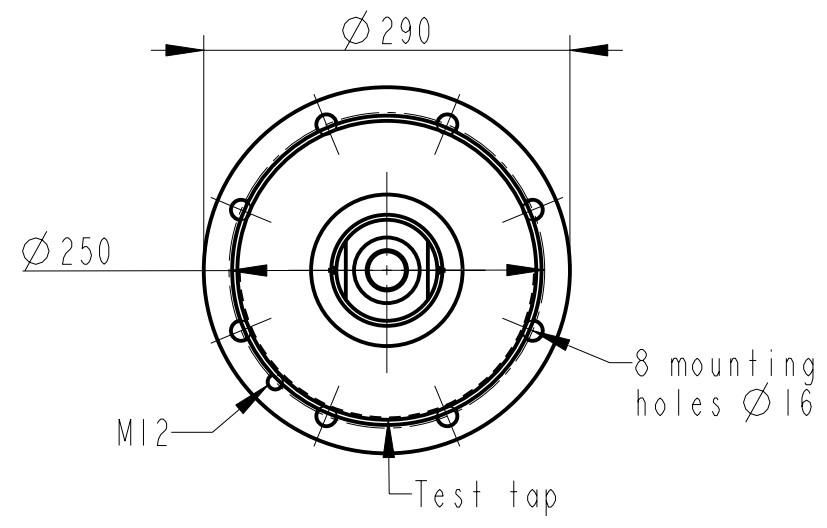
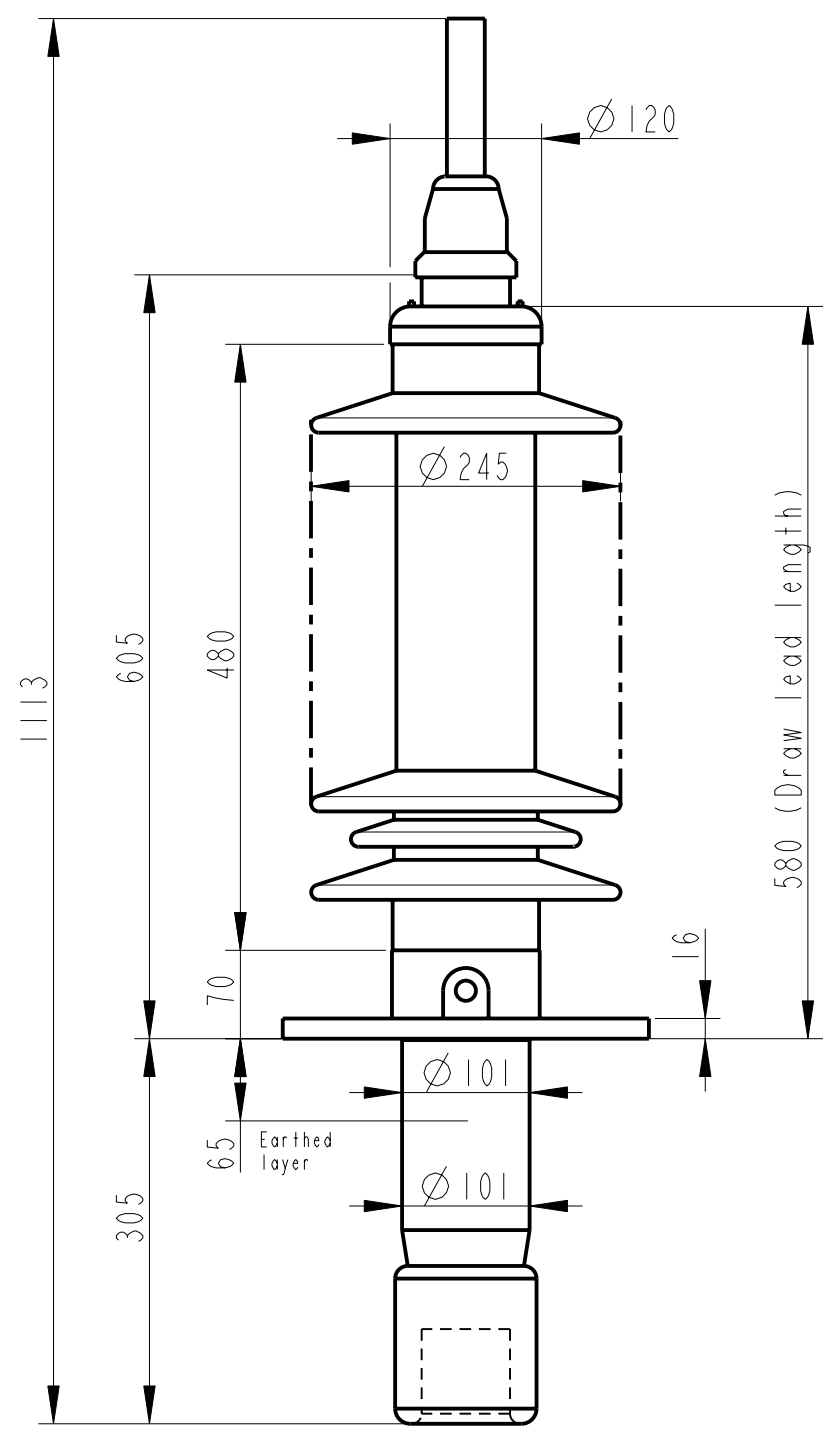


Rev Ind	Revision	Appd	Date
1		TL	01-38



The solid rod can be divided either:
 Alt.1: 20mm below the bushing flange or
 Alt.2: 20mm below the upper end of the bottom porcelain

Bushing Data:

Rated Voltage	52	kV
Phase to Ground Voltage	52	kV
Dry Lightning Impulse 1,2/50μs	250	kV
Wet power frequency AC	105	kV
Routine test 1min dry 50Hz	120	kV
Rated Current	1250	A
Creepage Distance	1500±50	mm
Creepage Distance Protected	580	mm
Mass	26	kg

Ordering Data:

BUSHING	COLOUR AIR INSULATOR
LF123017-M	BROWN
-N	LIGHT GREY
OUTER TERMINAL	
LF 170 002-B	Cu, Ø 30, L=125
LF 170 001-B	Al, Ø 30, L=125
OTHER TYPES ON REQUEST	
INNER TERMINAL FOR STRANDED CABLE	
For brazing	Conductor area D1
LF 170 011-T	up to 285mm ² Ø 29
LF 170 011-V	Undrilled with pilot hole Ø 5
SOLID ROD CONNECTOR	
LF 170 052 -A for Alt.1	
N/A for Alt.2	

ABB Components Luleå, Sweden

No.	U ₁	U ₂	U ₃	U ₄	U ₅	U ₆	U ₇	U ₈	U ₉	U ₁₀	U ₁₁	U ₁₂	U ₁₃	U ₁₄	U ₁₅	U ₁₆	U ₁₇	U ₁₈	U ₁₉	U ₂₀	
U ₁	U ₂	U ₃	U ₄	U ₅	U ₆	U ₇	U ₈	U ₉	U ₁₀	U ₁₁	U ₁₂	U ₁₃	U ₁₄	U ₁₅	U ₁₆	U ₁₇	U ₁₈	U ₁₉	U ₂₀	U ₂₁	U ₂₂
U ₁	U ₂	U ₃	U ₄	U ₅	U ₆	U ₇	U ₈	U ₉	U ₁₀	U ₁₁	U ₁₂	U ₁₃	U ₁₄	U ₁₅	U ₁₆	U ₁₇	U ₁₈	U ₁₉	U ₂₀	U ₂₁	U ₂₂
U ₁	U ₂	U ₃	U ₄	U ₅	U ₆	U ₇	U ₈	U ₉	U ₁₀	U ₁₁	U ₁₂	U ₁₃	U ₁₄	U ₁₅	U ₁₆	U ₁₇	U ₁₈	U ₁₉	U ₂₀	U ₂₁	U ₂₂

Based on	Reg. No.
Prepared Lövnord	Responsible department COM/BK 0036
Approved Johansson	Take over department
Design engineering review Gudmundsson	Database
ABB ABB Components	

Title	Page
GOB 250-1250-0 WITHOUT OIL LEVEL GAUGE LONG END SHIELD	1(1)
Document No.	
2751369-116	

We reserve all rights in this document and in the information contained therein. Reproduction, use or disclosure to third parties without express authority is strictly forbidden. ©ABB