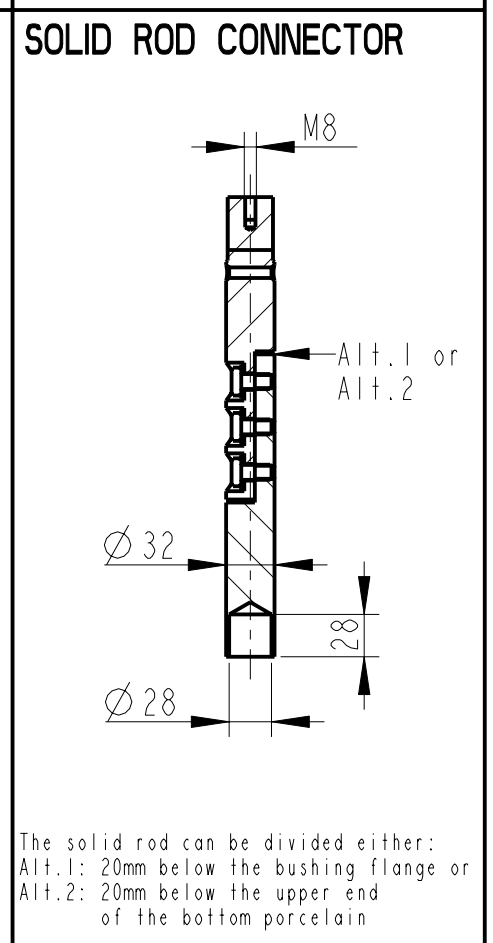
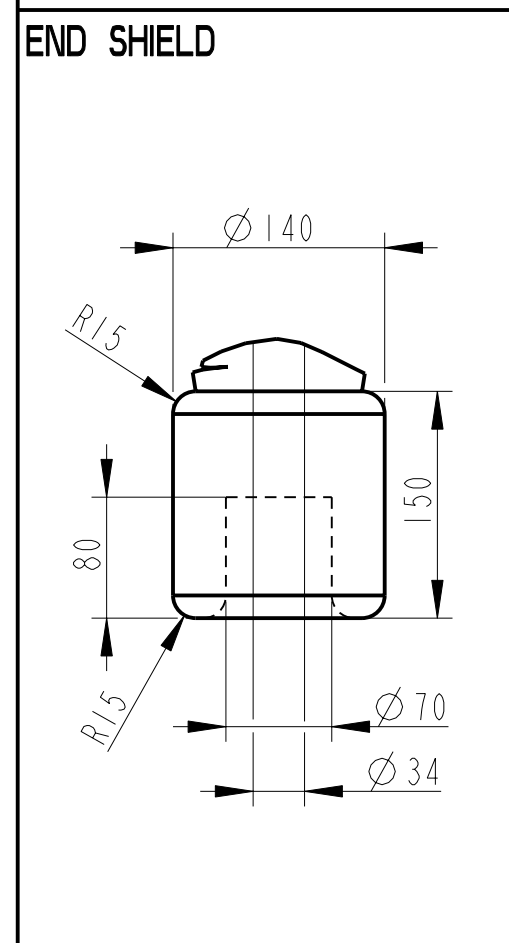
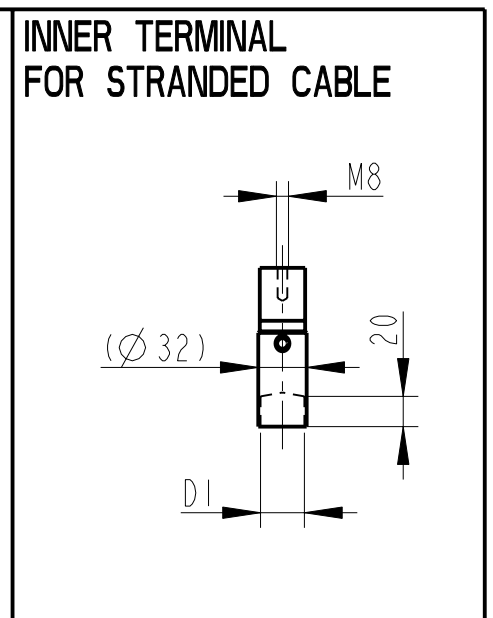
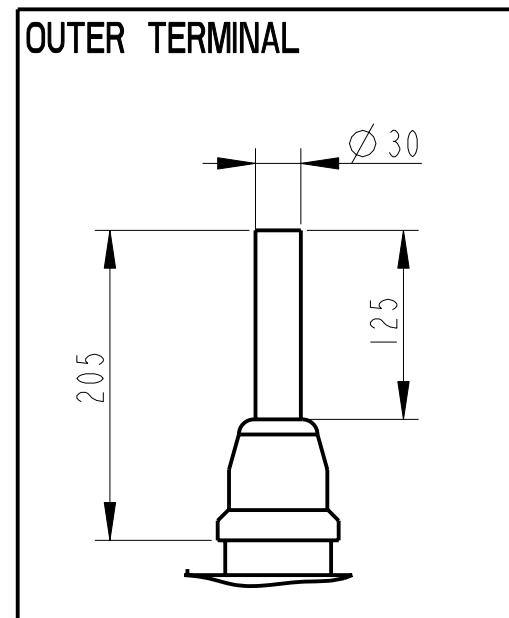
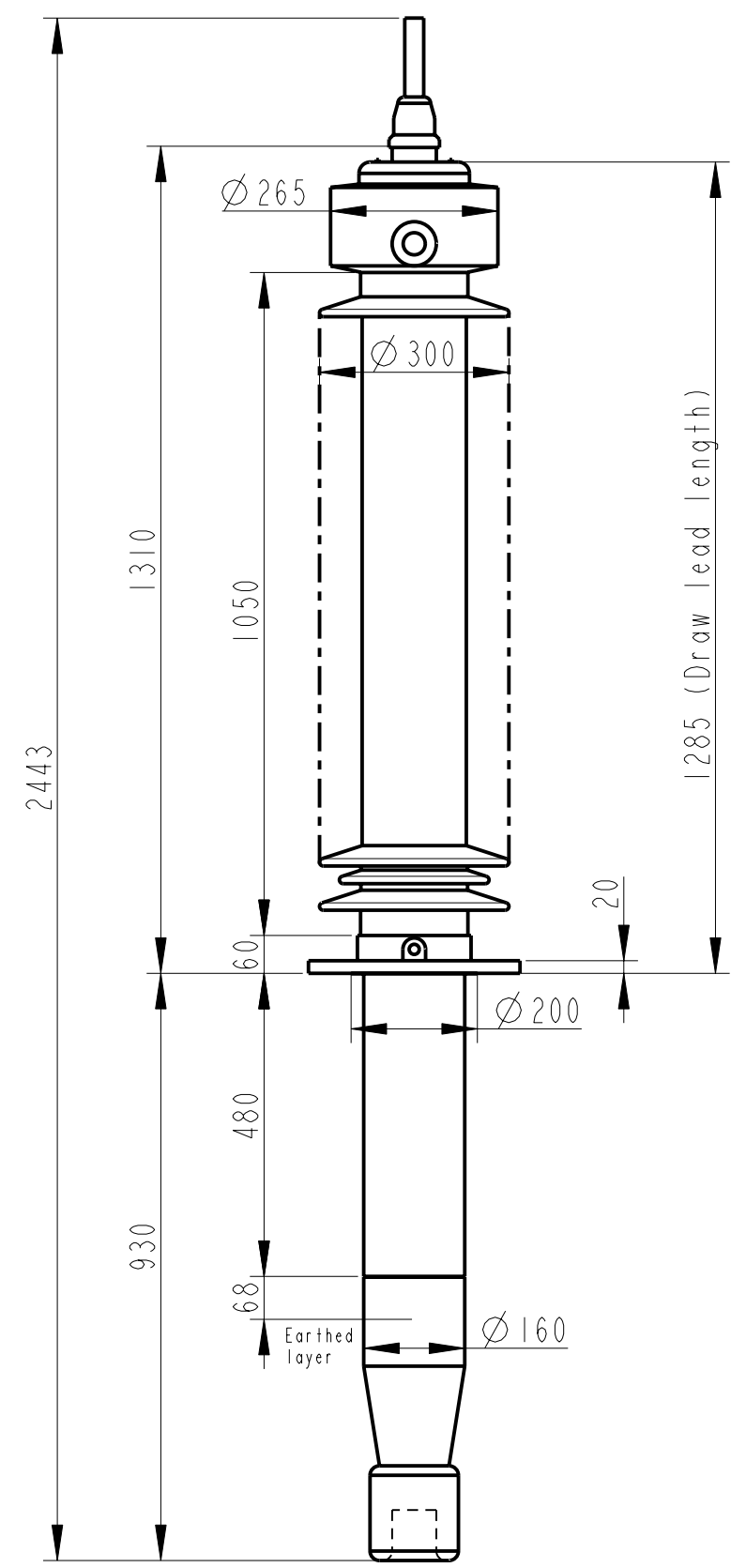


Rev	Ind	Revision	Appd	Date
1			TL	01-38



The solid rod can be divided either:
 Alt.1: 20mm below the bushing flange or
 Alt.2: 20mm below the upper end of the bottom porcelain

Bushing Data:

Rated Voltage	170	kV
Phase to Ground Voltage	123	kV
Dry Lightning Impulse 1,2/50µs	550	kV
Wet power frequency AC	230	kV
Routine test 1min dry 50Hz	260	kV
Rated Current	1250	A
Creepage Distance	3430±100	mm
Creepage Distance Protected	1350	mm
Mass	116	kg

Ordering Data:

BUSHING	COLOUR AIR INSULATOR
LF123144-M	BROWN
-N	LIGHT GREY
OUTER TERMINAL	
LF 170 002-B	Cu, Ø 30, L=125
LF 170 001-B	Al, Ø 30, L=125
OTHER TYPES ON REQUEST	
INNER TERMINAL FOR STRANDED CABLE	
For brazing	Conductor area DI
LF 170 011-T	up to 285mm² Ø 29
LF 170 011-V	Undrilled with pilot hole Ø 5
SOLID ROD CONNECTOR	
LF 170 052 -AV	for Alt.1
LF 170 052 -AY	for Alt.2

ABB Components Luleå, Sweden

No. kv kv A 50/60 Hz kv

U₁ U₂ / S₁ / AC

M kg L mm V

C1 PF Tan δ

C2 PF Tan δ

Based on	Reg. No.
Prepared Lövnord	Responsible department COM/BK
Approved Johansson	Take over department
Design engineering review Gudmundsson	Database
ABB ABB Components	

Title	Page
GOB 550-1250-0.5 WITH OIL LEVEL GAUGE LONG END SHIELD	1(1)
Document No.	
2751369-216	

We reserve all rights in this document and in the information contained therein. Reproduction, use or disclosure to third parties without express authority is strictly forbidden. ©ABB