

Bushing Data:

Rated Voltage	420	kV
Phase to-earth Voltage	280	kV
Dry Lightning Impulse	1425	kV
Wet Switching Impulse	950	kV
Wet Power frequency AC	580	kV
Routine test 1min dry 50Hz	695	kV
Rated Current	2500	A
Creepage Distance	8570	mm
Mass	1230	kg

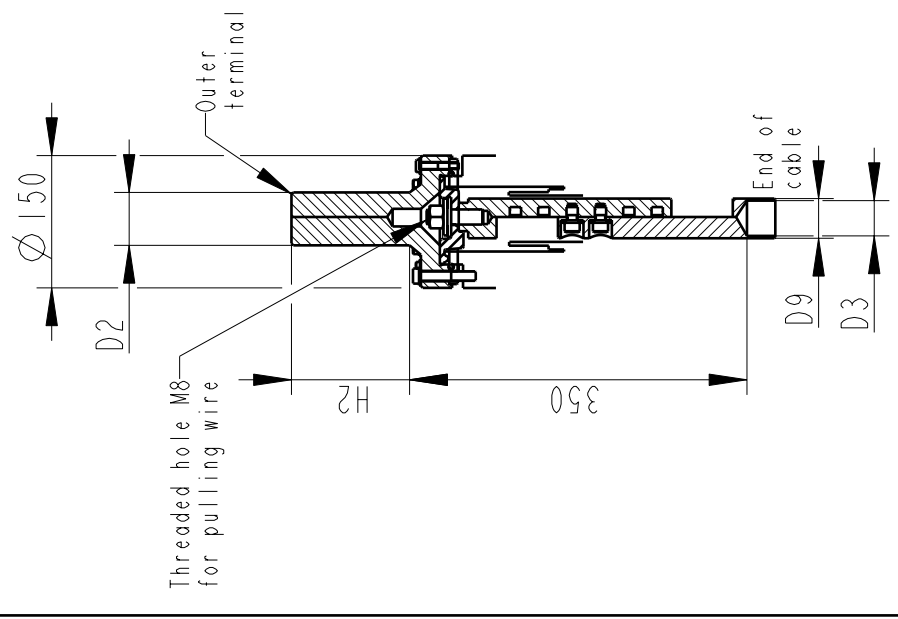
Ordering Data:

BUSHING	COLOUR AIR INSULATOR				
LF121075	-C / -AC	BROWN / LIGHT GREY			
OUTER TERMINAL	H2 (mm)	D2 (mm)			
LF170 073-A	Al	125	60		
LF170 073-B	Cu	125	60		
LF170 073-G	Cu/Ag	125	60		
OTHER TYPES ON REQUEST					
END-SHIELD	LF170 046-V EPOXY INSULATED				
LF170 046-VP INSULATED WITH 3 mm PRESSBOARD					
DRAW ROD SYSTEM	LF170 059 LOWER DRAW ROD WITH NI=4 OR NI=6				
LF170 057 UPPER DRAW ROD					
INNER TERMINAL	D3 (mm)	D9 (mm)	Cond.area (mm ²)	Current (A)	IEEC
LF170 056-E	O *)	45	-	-	-
LF170 056-D	40	45	600	1600	1360

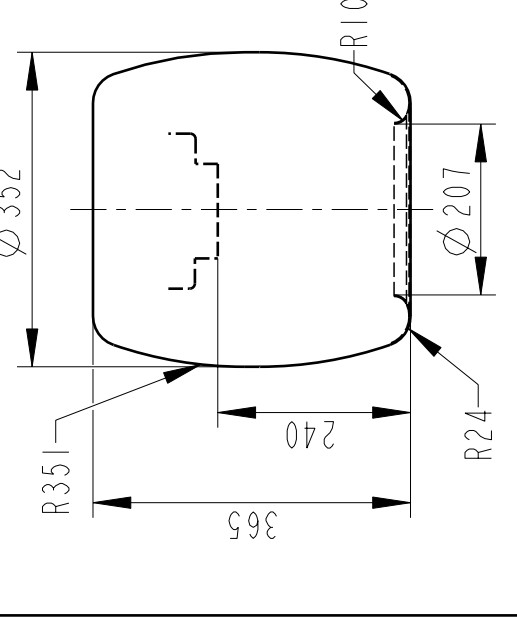
*) WITH PILOT HOLE D=5

ABB Components		Lutskia, Sweden	
No.	kV	A	50-60 Hz
U ₁	kV	SI	kV AC
U ₂	kV	SI	mm D
M	kg	L	mm D
C1	pf	Tanδ	;
C2	pf	Tanδ	;

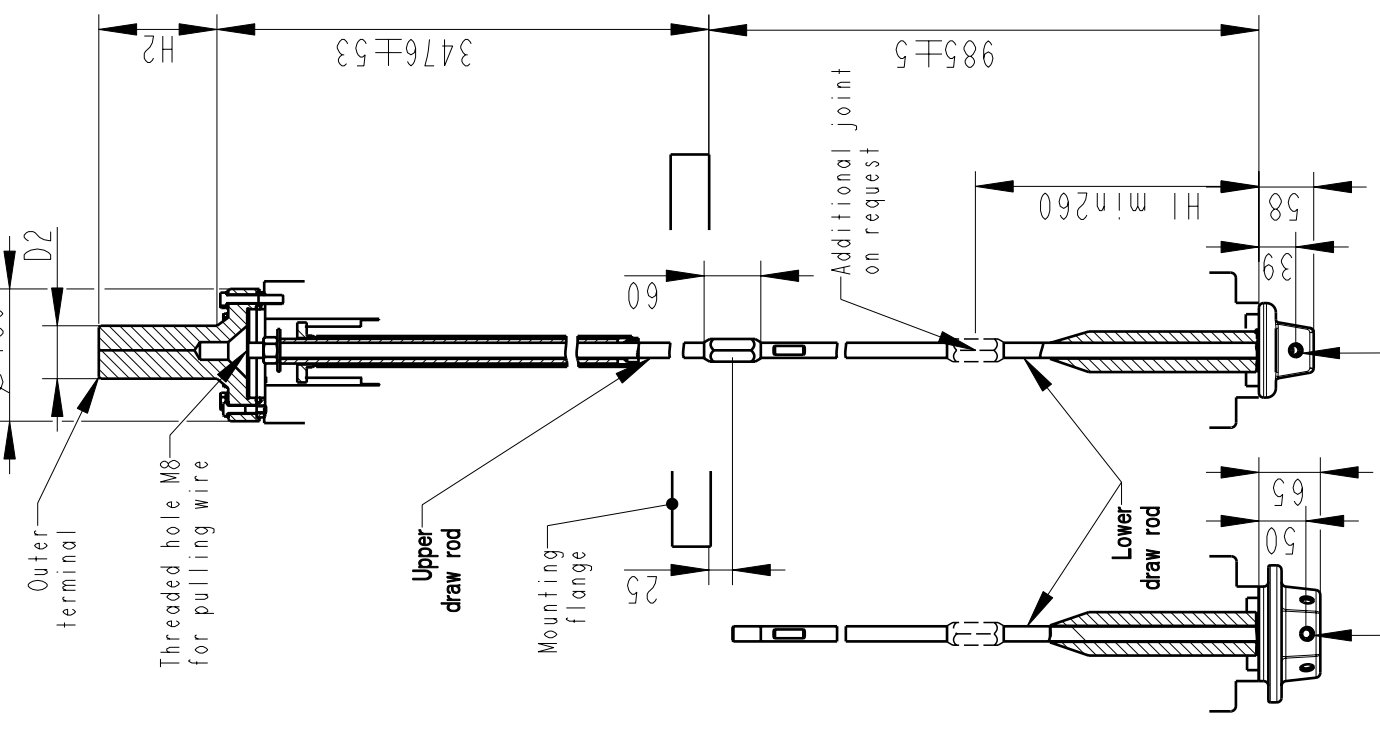
INNER TERMINAL / OUTER TERMINAL



END SHIELD



DRAW ROD SYSTEM / OUTER TERMINAL



NI=Number of holes M12, equipped with thread insert with screw lock, depth 20, for cable lugs.

Based on	Reg. No.	Title
Prepared	Responsible department	GOE-1425-950-2500-0
Lövnord	COM/BK 0025	
Approved	Take over department	
Johansson	Database	
Design engineering review		
Gutman		
ABB ABB Components		Document No. 2751369-100
Language		82
Page		I(1)