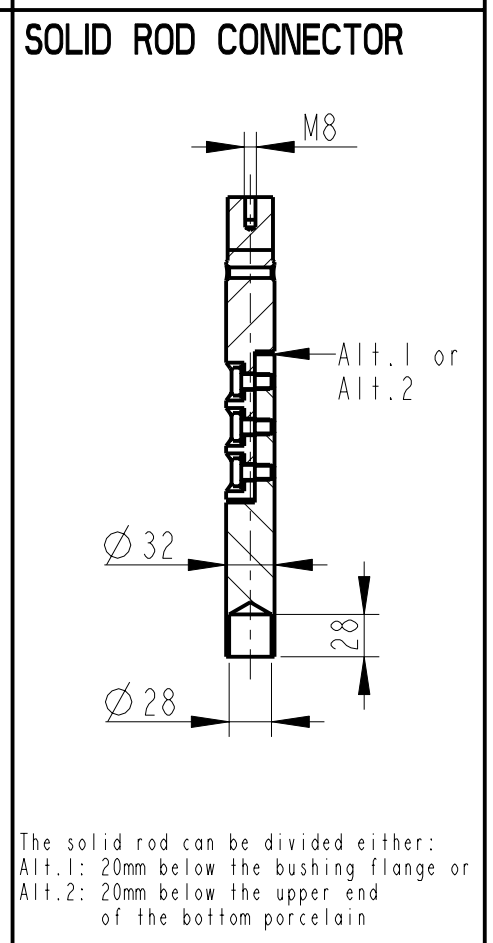
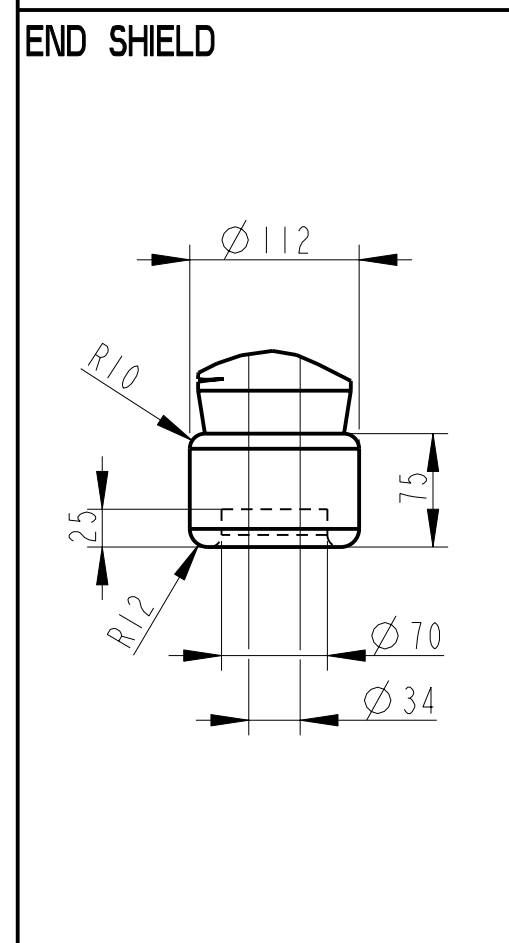
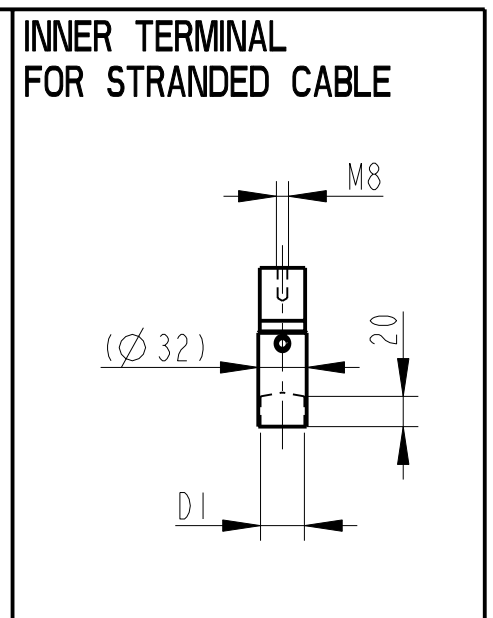
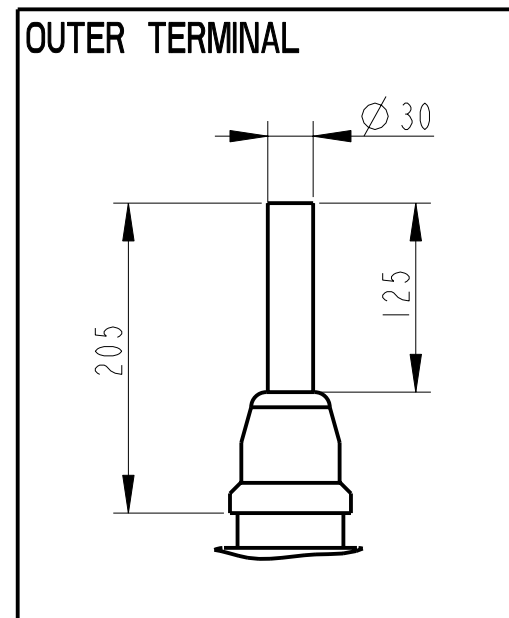
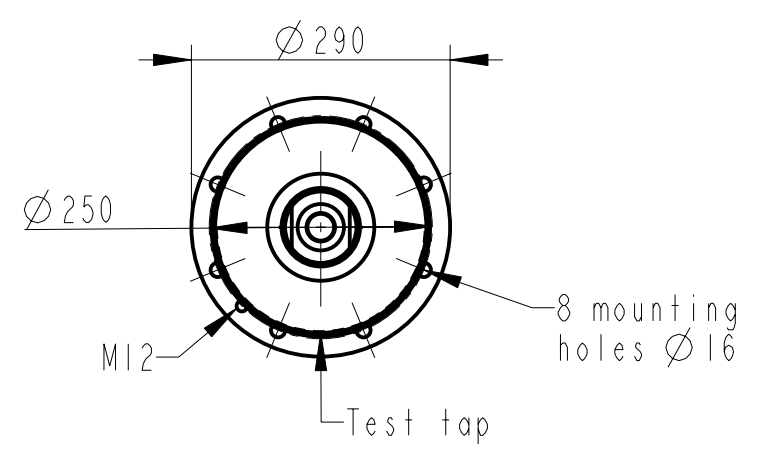
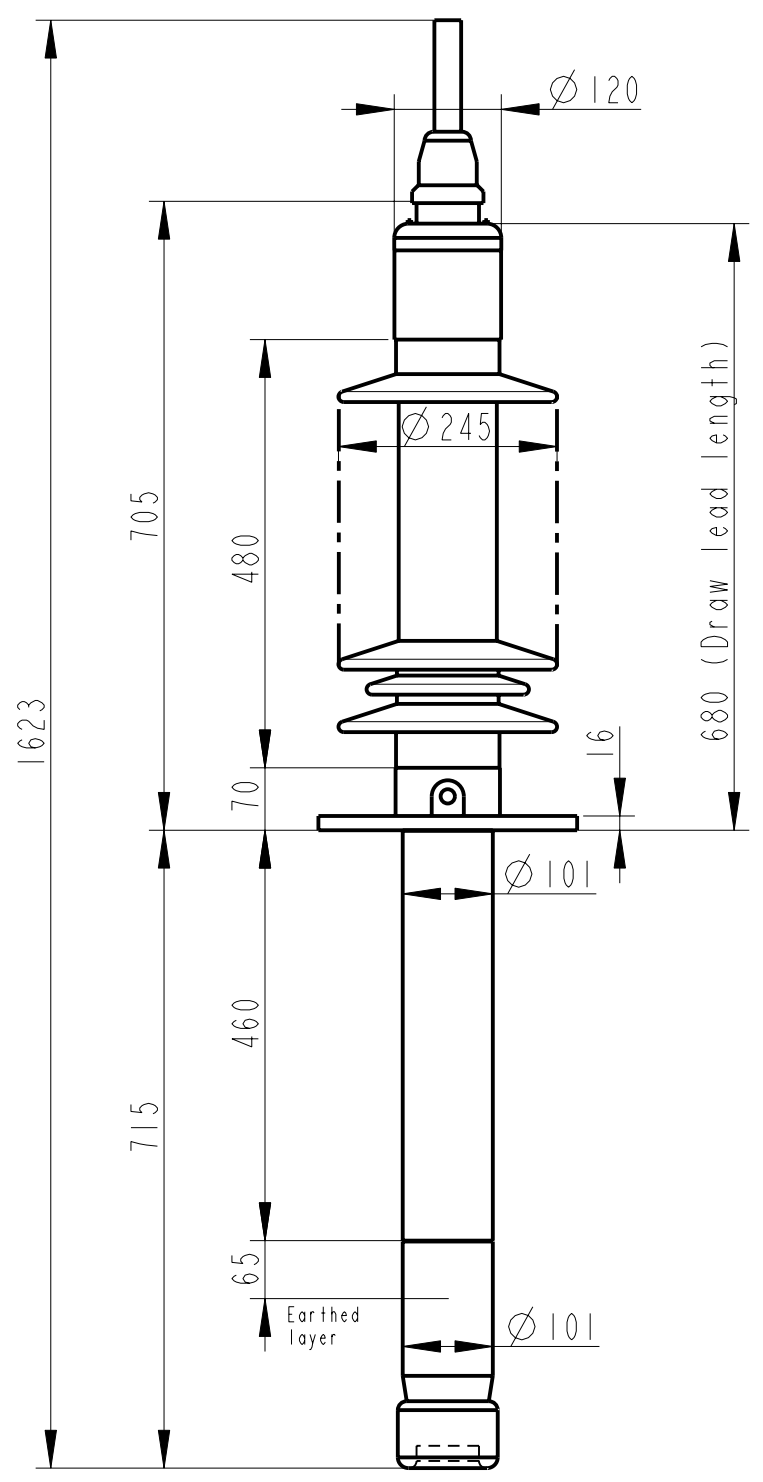


Rev	Ind	Revision	Appd	Date
1			TL	01-38



Bushing Data:

Rated Voltage	52	kV
Phase to Ground Voltage	52	kV
Dry Lightning Impulse 1,2/50μs	250	kV
Wet power frequency AC	105	kV
Routine test 1min dry 50Hz	120	kV
Rated Current	1250	A
Creepage Distance	1500±50	mm
Creepage Distance Protected	580	mm
Mass	31	kg

Ordering Data:

BUSHING	COLOUR AIR INSULATOR
LF123085-K	BROWN
-L	LIGHT GREY
OUTER TERMINAL	
LF 170 002-B	Cu, Ø 30, L=125
LF 170 001-B	Al, Ø 30, L=125
OTHER TYPES ON REQUEST	
INNER TERMINAL FOR STRANDED CABLE	
For brazing	Conductor area DI
LF 170 011-T	up to 285mm ² Ø 29
LF 170 011-V	Undrilled with pilot hole Ø 5
SOLID ROD CONNECTOR	
LF 170 052 -E for Alt.1	
LF 170 052 -C for Alt.2	

ABB Components Luleå, Sweden

No.	U ₀	U ₁	U ₂	U ₃	U ₄	U ₅	U ₆	U ₇	U ₈	U ₉	U ₁₀	U ₁₁	U ₁₂	U ₁₃	U ₁₄	U ₁₅	U ₁₆	U ₁₇	U ₁₈	U ₁₉	U ₂₀	U ₂₁	U ₂₂	U ₂₃	U ₂₄	U ₂₅	U ₂₆	U ₂₇	U ₂₈	U ₂₉	U ₃₀	U ₃₁	U ₃₂	U ₃₃	U ₃₄	U ₃₅	U ₃₆	U ₃₇	U ₃₈	U ₃₉	U ₄₀	U ₄₁	U ₄₂	U ₄₃	U ₄₄	U ₄₅	U ₄₆	U ₄₇	U ₄₈	U ₄₉	U ₅₀	U ₅₁	U ₅₂	U ₅₃	U ₅₄	U ₅₅	U ₅₆	U ₅₇	U ₅₈	U ₅₉	U ₆₀	U ₆₁	U ₆₂	U ₆₃	U ₆₄	U ₆₅	U ₆₆	U ₆₇	U ₆₈	U ₆₉	U ₇₀	U ₇₁	U ₇₂	U ₇₃	U ₇₄	U ₇₅	U ₇₆	U ₇₇	U ₇₈	U ₇₉	U ₈₀	U ₈₁	U ₈₂	U ₈₃	U ₈₄	U ₈₅	U ₈₆	U ₈₇	U ₈₈	U ₈₉	U ₉₀	U ₉₁	U ₉₂	U ₉₃	U ₉₄	U ₉₅	U ₉₆	U ₉₇	U ₉₈	U ₉₉	U ₁₀₀
U ₀	U ₁	U ₂	U ₃	U ₄	U ₅	U ₆	U ₇	U ₈	U ₉	U ₁₀	U ₁₁	U ₁₂	U ₁₃	U ₁₄	U ₁₅	U ₁₆	U ₁₇	U ₁₈	U ₁₉	U ₂₀	U ₂₁	U ₂₂	U ₂₃	U ₂₄	U ₂₅	U ₂₆	U ₂₇	U ₂₈	U ₂₉	U ₃₀	U ₃₁	U ₃₂	U ₃₃	U ₃₄	U ₃₅	U ₃₆	U ₃₇	U ₃₈	U ₃₉	U ₄₀	U ₄₁	U ₄₂	U ₄₃	U ₄₄	U ₄₅	U ₄₆	U ₄₇	U ₄₈	U ₄₉	U ₅₀	U ₅₁	U ₅₂	U ₅₃	U ₅₄	U ₅₅	U ₅₆	U ₅₇	U ₅₈	U ₅₉	U ₆₀	U ₆₁	U ₆₂	U ₆₃	U ₆₄	U ₆₅	U ₆₆	U ₆₇	U ₆₈	U ₆₉	U ₇₀	U ₇₁	U ₇₂	U ₇₃	U ₇₄	U ₇₅	U ₇₆	U ₇₇	U ₇₈	U ₇₉	U ₈₀	U ₈₁	U ₈₂	U ₈₃	U ₈₄	U ₈₅	U ₈₆	U ₈₇	U ₈₈	U ₈₉	U ₉₀	U ₉₁	U ₉₂	U ₉₃	U ₉₄	U ₉₅	U ₉₆	U ₉₇	U ₉₈	U ₉₉	U ₁₀₀	

Based on	Reg. No.
Prepared Lövnord	Responsible department COM/BK 0036
Approved Johansson	Take over department
Design engineering review Gudmundsson	Database
ABB ABB Components	

Title	Page
GOB 250-1250-0.5 WITHOUT OIL LEVEL GAUGE SHORT END SHIELD	1(1)
Document No.	
2751369-119	

We reserve all rights in this document and in the information contained therein. Reproduction, use or disclosure to third parties without express authority is strictly forbidden. ©ABB