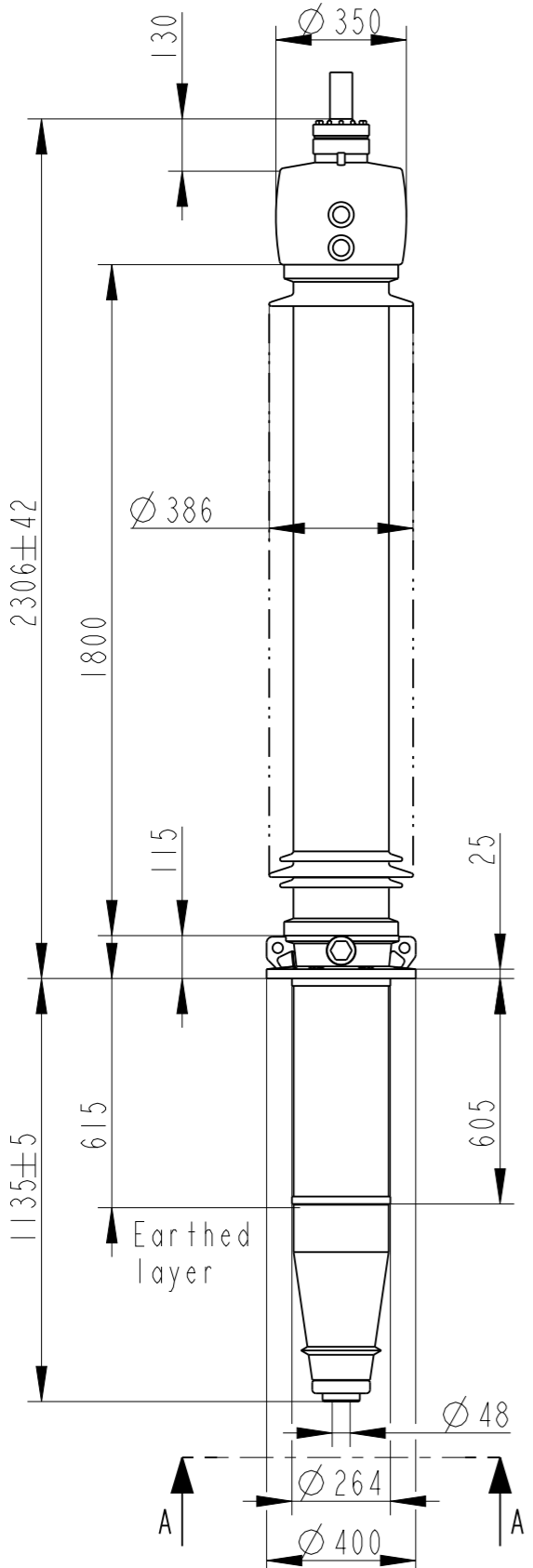


This document is issued by means of a computerized system. The digitally stored original is electronically approved. The approved document has a date entered in the "Approved"-field. A manual signature is not required.

The information contained in this document has to be kept strictly confidential. Any unauthorized use, reproduction, distribution or disclosure to third parties are strictly forbidden. ABB reserves all rights regarding Intellectual Property Rights. © Copyright 2010 ABB. All rights reserved.



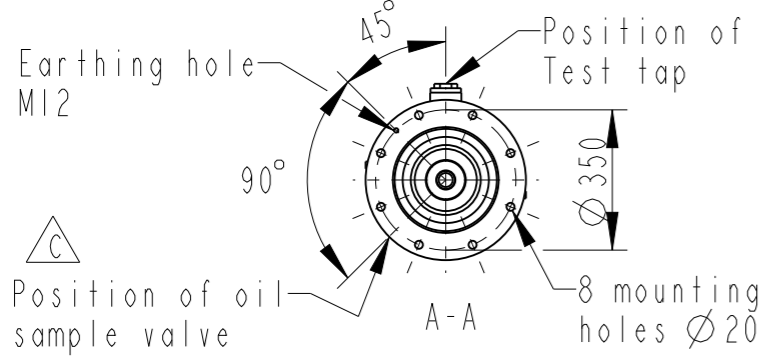
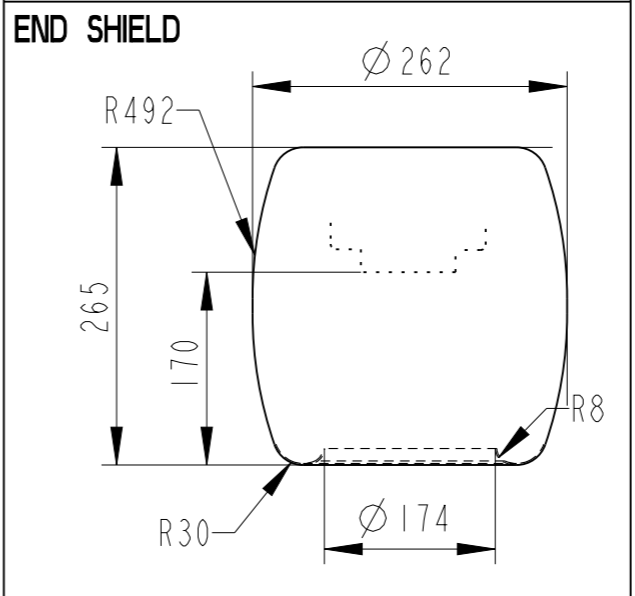
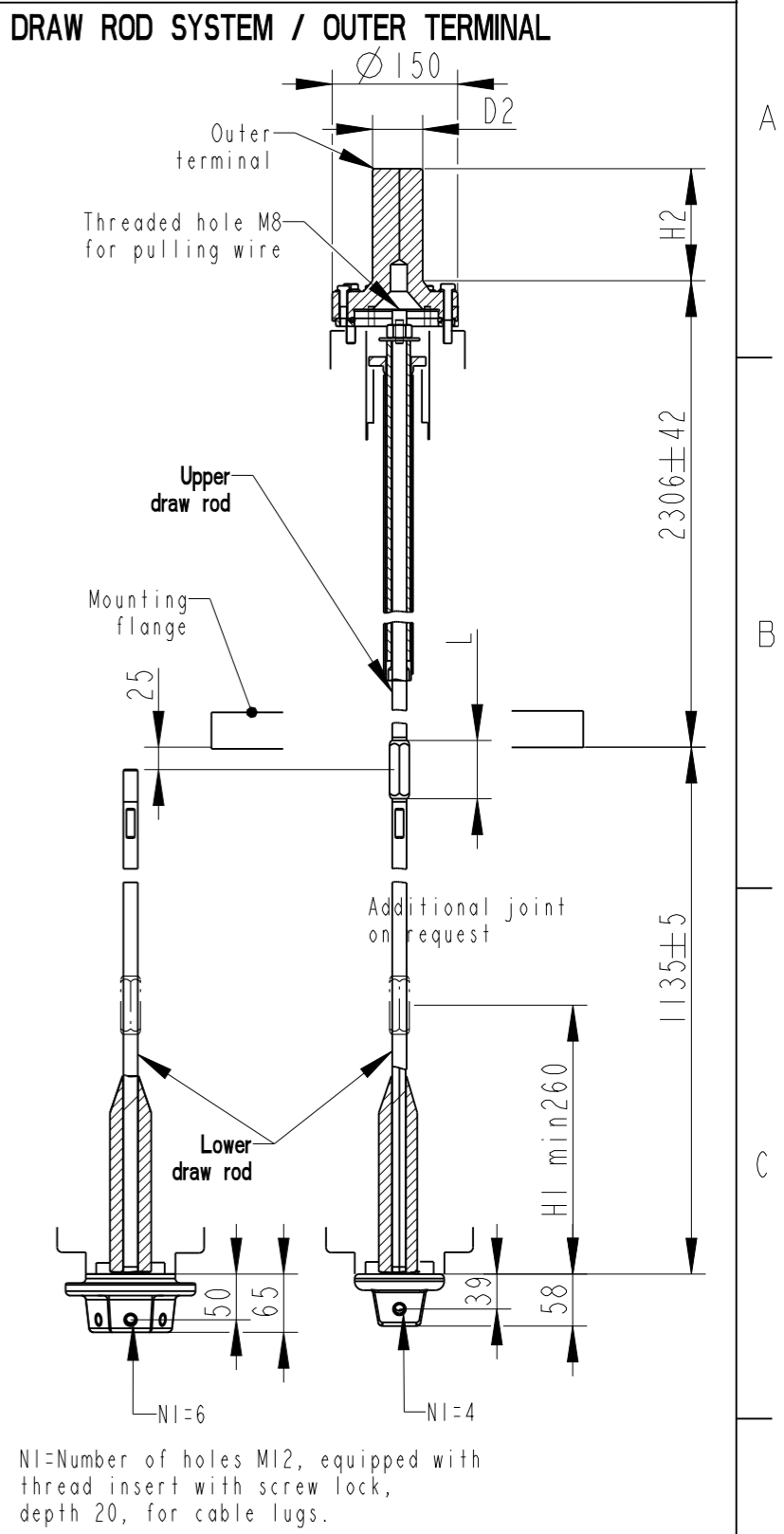
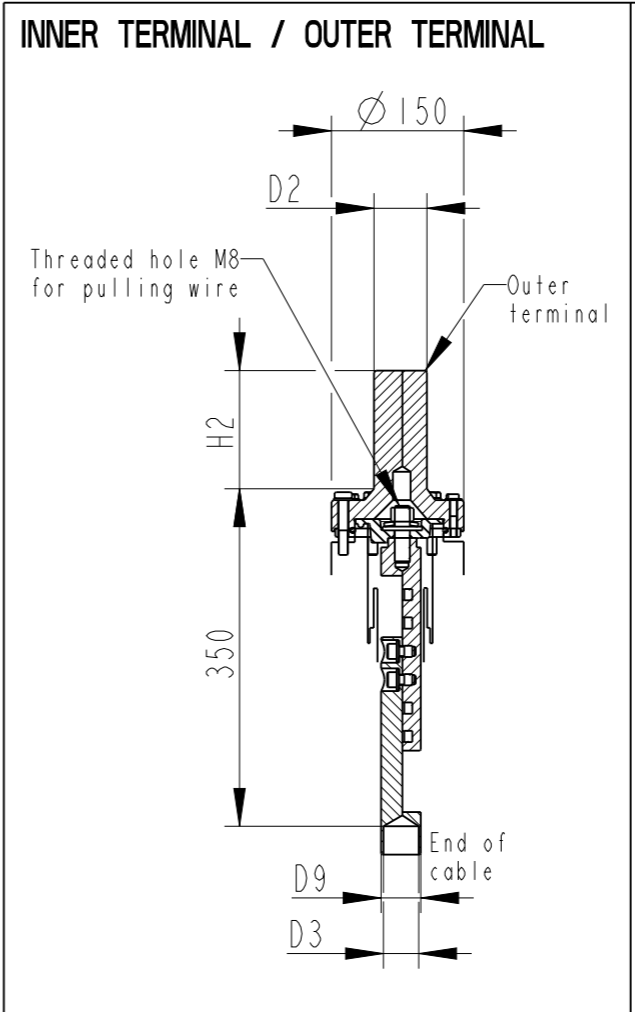
**Bushing Data:**

Rated Voltage	170 kV
Phase to-earth Voltage	98 kV
Dry Lightning Impulse 1,2/50µs	950 kV
Wet Switching Impulse	650 kV
Wet Power frequency AC	395 kV
Routine test Imin dry 50Hz	395 kV
Rated Current	3150 A
Creepage Distance	6820 mm
Mass	420 kg

**Ordering Data:**

<b>BUSHING</b>		COLOUR AIR INSULATOR BROWN		
IZSC902170-AAB				
<b>OUTER TERMINAL</b>				
		Max. Rated H2	D2	
		Current (A)	(mm)	(mm)
LF170 073-A	Al	2500	125	60
LF170 073-B	Cu	4000	125	60
LF170 073-G	Cu/Ag	4000	125	60
LF170 073-L	Cu/Sn	4000	125	60
LF170 073-BA	Cu/Ag	3000	125	2"-12UN
LF170 073-AA	Cu	5000	125	96
<b>END-SHIELD</b>				
LF170 046-U	EPOXY INSULATED			
LF170 046-UP	INSULATED WITH 3 mm PRESSBOARD			
<b>DRAW ROD SYSTEM</b>				
LF170 059-CD OR-U	LOWER DRAW ROD WITH NI=4 OR NI=6			
LF170 057-K	UPPER DRAW ROD			
<b>INNER TERMINAL</b>				
	D3	D9	Cond.area	Current (A)
	(mm)	(mm)	(mm <sup>2</sup> )	IEC
LF170 056-E	0 *	45	-	-
LF170 056-D	40	45	600	1600

\* ) WITH PILOT HOLE D=5



**ABB** Ludvika, Sweden

No.					
Um/Uy		kV Ir	A	50/60 Hz	
BIL		kV SIL	kV AC	kV	
M		kg L	mm D		
C1		pF Tanδ	z		
C2		pF Tanδ	z		

Prepared	Ali Amin	2010-02-18	Responsible department	PPCO/BK	Title	
Modified by	Palpandi K	2010-10-13	Take over department		GOE 950-650-3150-0.6	
Approved by	Urban Schander	2010-10-15	Used in product		GOE 950-650-3150-0.6	
Revision	C Added note "Position of oil sample valve"			Order		
<b>ABB</b>				Document no.	2751369-310	No. Shts. (1)