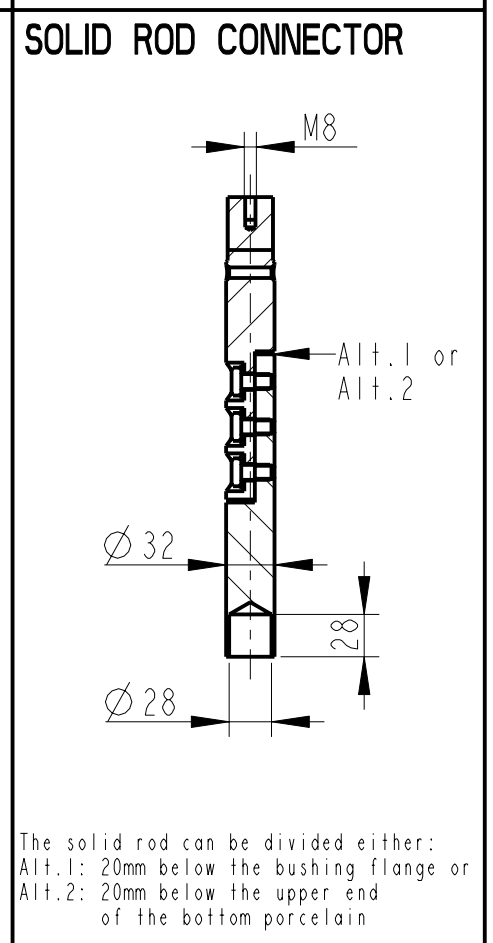
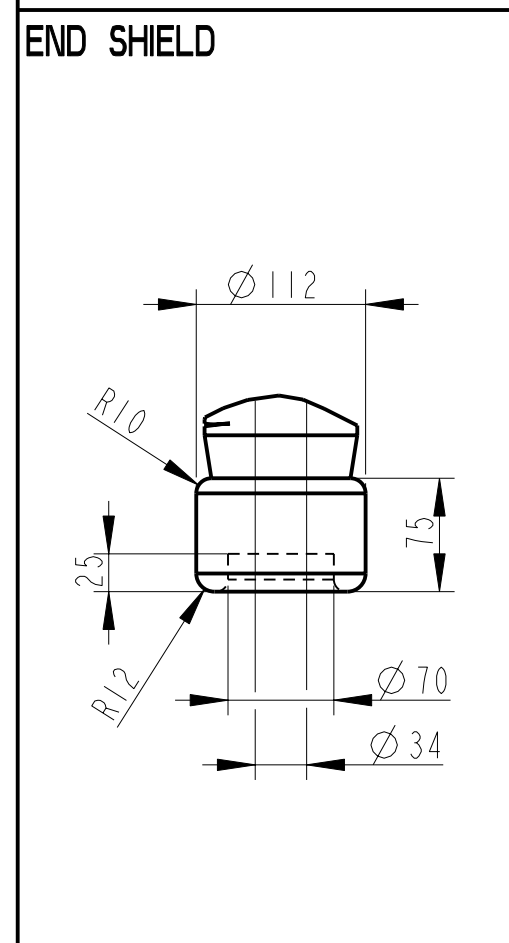
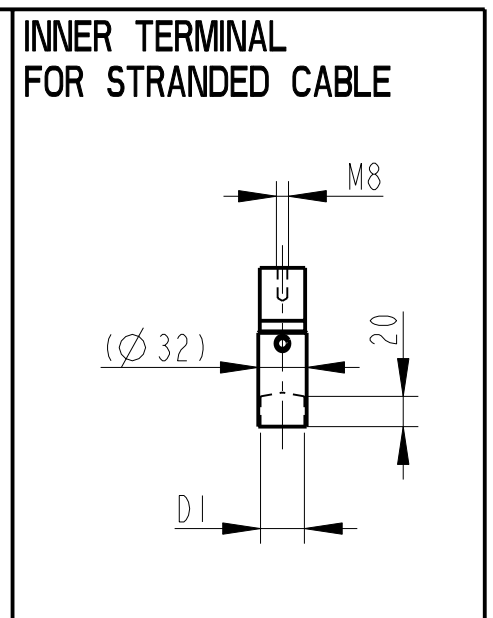
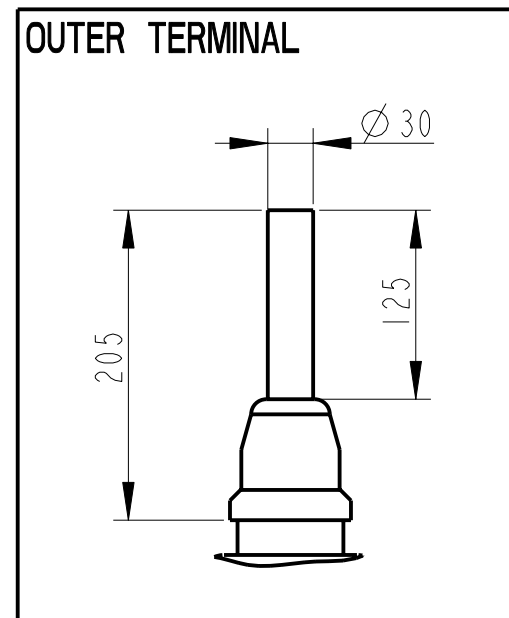
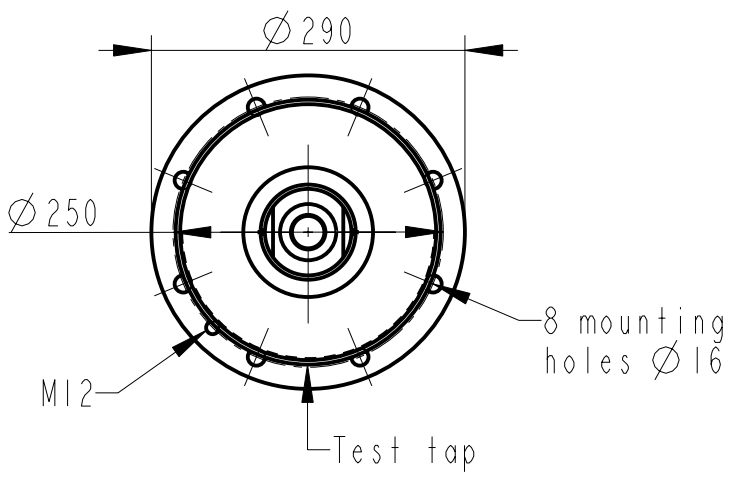
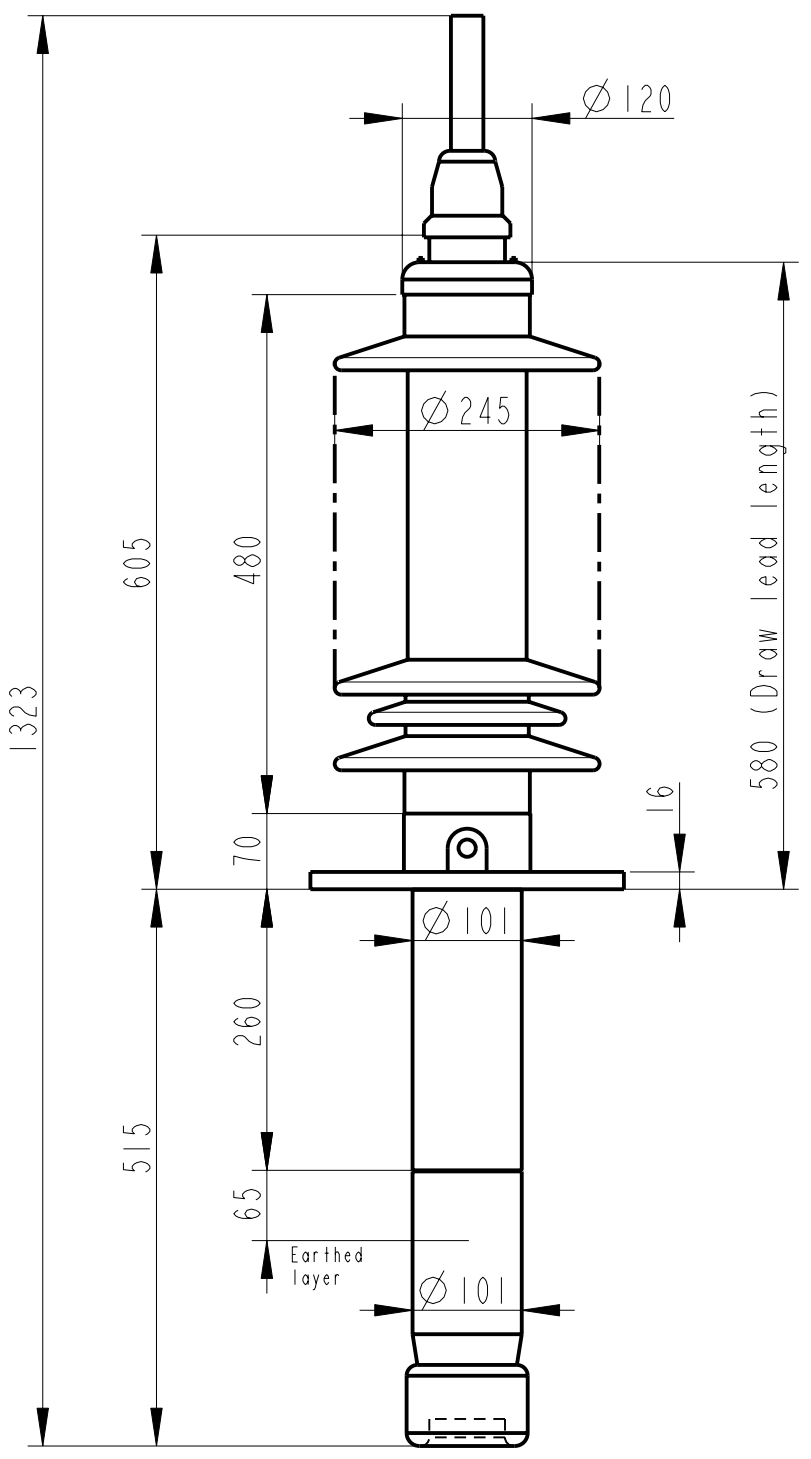


Rev	Ind	Revision	Appd	Date
1			TL	01-38



Bushing Data:

Rated Voltage	52	kV
Phase to Ground Voltage	52	kV
Dry Lightning Impulse 1,2/50µs	250	kV
Wet power frequency AC	105	kV
Routine test 1min dry 50Hz	120	kV
Rated Current	1250	A
Creepage Distance	1500±50	mm
Creepage Distance Protected	580	mm
Mass	29	kg

Ordering Data:

BUSHING	COLOUR AIR INSULATOR
LF123019-K	BROWN
-L	LIGHT GREY
OUTER TERMINAL	
LF 170 002-B	Cu, Ø 30, L=125
LF 170 001-B	Al, Ø 30, L=125
OTHER TYPES ON REQUEST	
INNER TERMINAL FOR STRANDED CABLE	
For brazing	Conductor area DI
LF 170 011-T	up to 285mm ² Ø 29
LF 170 011-V	Undrilled with pilot hole Ø 5
SOLID ROD CONNECTOR	
LF 170 052 -D for Alt.1	
LF 170 052 -B for Alt.2	

ABB Components Ludvika, Sweden	
No.	
U _{1-4y}	kV tr
LI, SI, AC	A 50-60 Hz
M	kg L mm V
C1	pF Tan δ
C2	pF Tan δ

Based on	Reg. No.
Prepared Lövnord	Responsible department COM/BK 0036
Approved Johansson	Take over department
Design engineering review Gudmundsson	Database
ABB ABB Components	

Title	GOB 250-1250-0.3 WITHOUT OIL LEVEL GAUGE SHORT END SHIELD
Language	(S)
Page	1(1)
Document No.	2751369-117

We reserve all rights in this document and in the information contained therein. Reproduction, use or disclosure to third parties without express authority is strictly forbidden. ©ABB