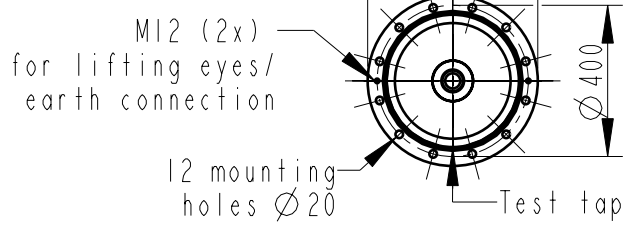
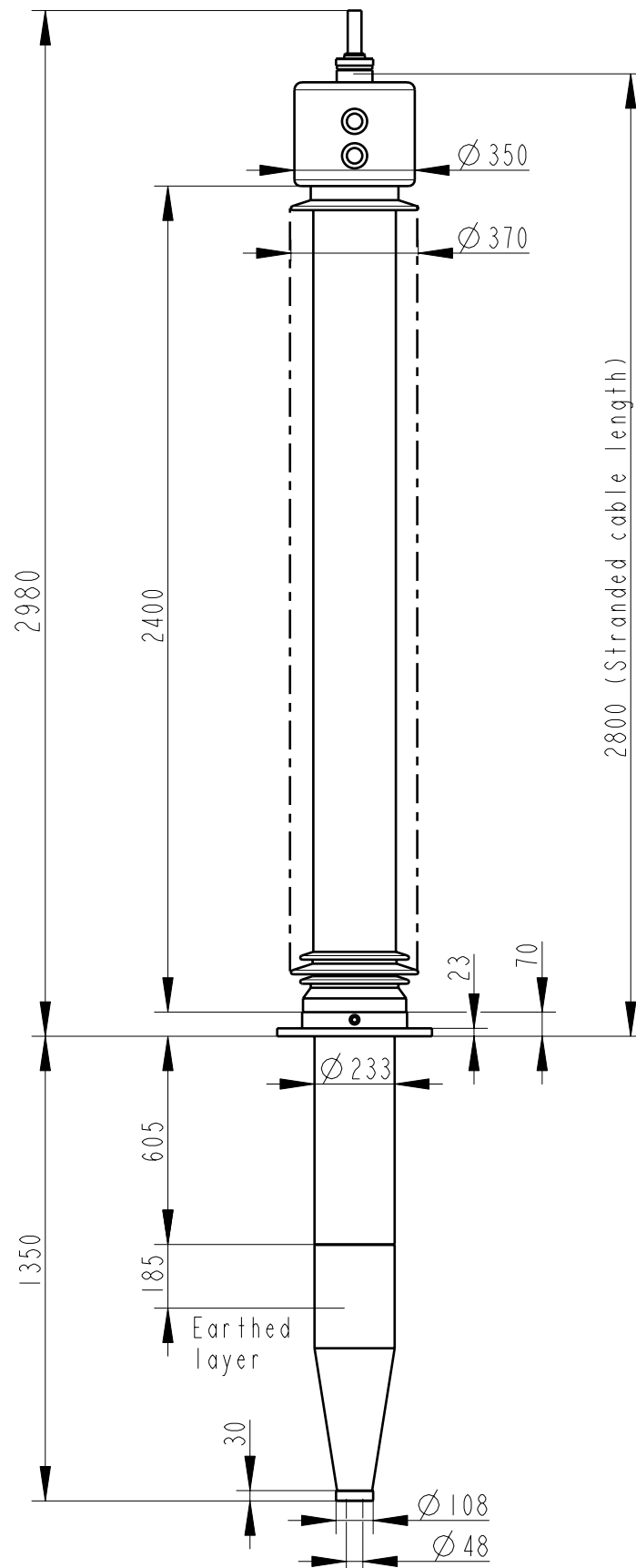
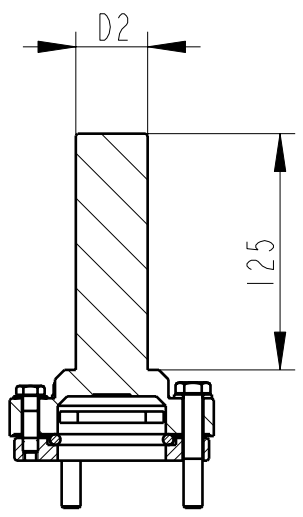


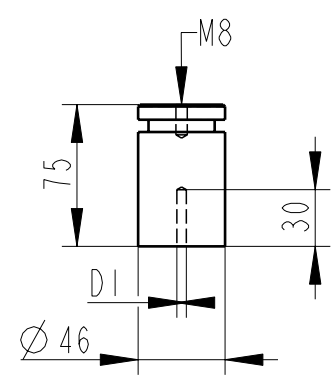
We reserve all rights in this document and in the information contained therein. Reproduction, use or disclosure to third parties without express authority is strictly forbidden. ©ABB



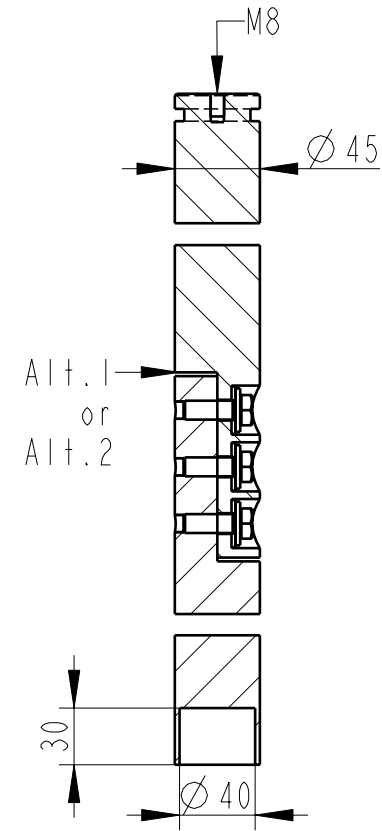
OUTER TERMINAL



INNER TERMINAL FOR STRANDED CABLE

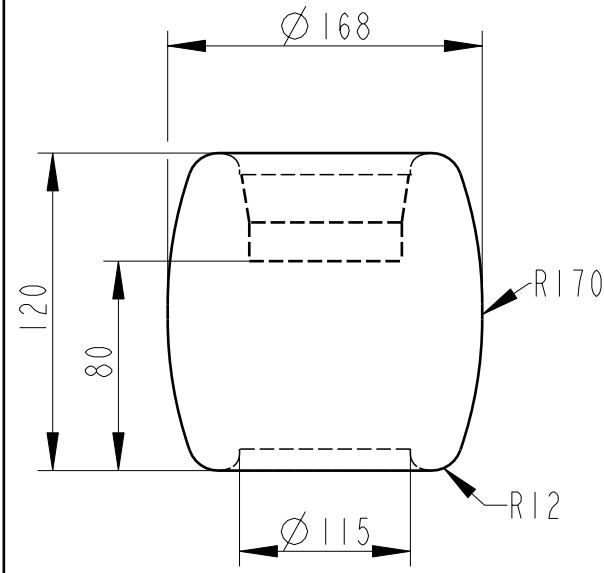


SOLID ROD CONNECTOR



The solid rod can be divided either:
 Alt.1: 20mm below the bushing flange or
 Alt.2: 20mm below the upper end of the bottom porcelain

END SHIELD



Bushing Data:

Rated Voltage	245	kV
Phase to Ground Voltage	200	kV
Dry Lightning Impulse 1,2/50µs	1050	kV
Wet Switching Impulse	850	kV
Wet power frequency AC	550	kV
Routine test 1min dry 50Hz	505	kV
Rated Current	1600	A
Creepage Distance	7750±200	mm
Mass	405	kg

Ordering Data:

BUSHING	COLOUR AIR INSULATOR	
LF 125 060-F	BROWN	
LF 125 060-N	LIGHT GREY	
OUTER TERMINAL	Material	D2
LF 170 017-BA	Al	Ø 30
LF 170 017-BC	Al	Ø 60
LF 170 017-BB	Cu	Ø 30
LF 170 017-BH	Cu	Ø 40

OTHER TYPES ON REQUEST

INNER TERMINAL FOR STRANDED CABLE

For brazing	Conductor area	D1
LF 170 018-AB	up to 95mm ²	Ø 15
LF 170 018-AC	up to 285 mm ²	Ø 30
LF 170 018-AD	up to 740 mm ²	Ø 42
LF 170 018-AA	Undrilled with pilot hole Ø 5	

SOLID ROD CONNECTOR

LF 170 032-AH for Alt.1
LF 170 032-AL for Alt.2

END SHIELD

LF 170 020-R	Insulation
LF 170 020-U	Epoxy
	Pressboard (thickness 3mm)

ABB Components Ludvika, Sweden	
No.	
Ur/Ur	kV Ir
LI / SI / AC	A 50/60 Hz
M	kg L mm ✓
C1	pF Tan δ
C2	pF Tan δ

Based on	Reg. No.	Title GOM 1050-850-0.6	Language 82
Prepared Lövnord	Responsible department COM/BK 0043		
Approved Johansson	Take over department	Page 1(1)	Document No. 2751369-234
Design engineering review Gutman	Database		
ABB ABB Components			