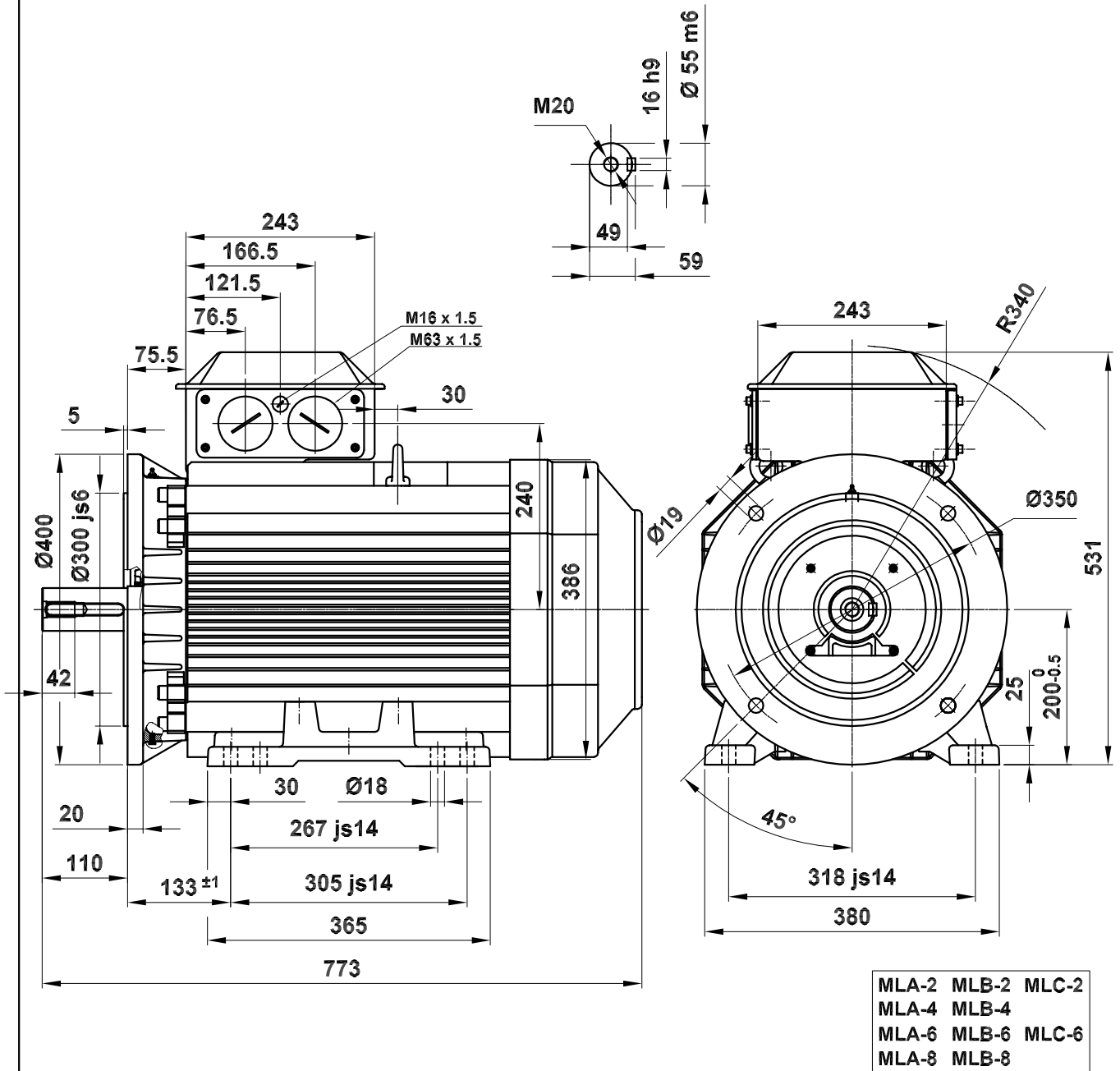


Main dimensions comply IEC 72-1, Swedish standard SS 426 04 02 and German standard DIN 42673. Dimensions are given in millimetres and are not binding unless specifically stated. The rotor are dynamically balanced with the half key on the shaft end.

Dimensiones principales obedecen a la norma IEC 72-1, estandar Sueca SS 426 04 02 y estandar Alemana DIN 42673.

Dimensiones en milímetros salvo otras indicaciones.

El rotor está equilibrado dinamicamente con media chaveta en el acople.



MLA-2 MLB-2 MLC-2
 MLA-4 MLB-4
 MLA-6 MLB-6 MLC-6
 MLA-8 MLB-8

Motor Dimension Print		Motor Type : M3AA 200 CODE S	Document N° : A1.4269
Description : Motor with foot and flange mounted IM2001/Motor con patas y brida IM2001			
Unit : División Motores, Spain.	Issued by : IKM/ J.MUÑOZ	Replaces : To date 2004-02-05	
Date : 2004-02-11	Approved by : IKM/ G.BLANES	Replaced by :	
ABB Automation Products, S.A.	Customer Reference :		ABB