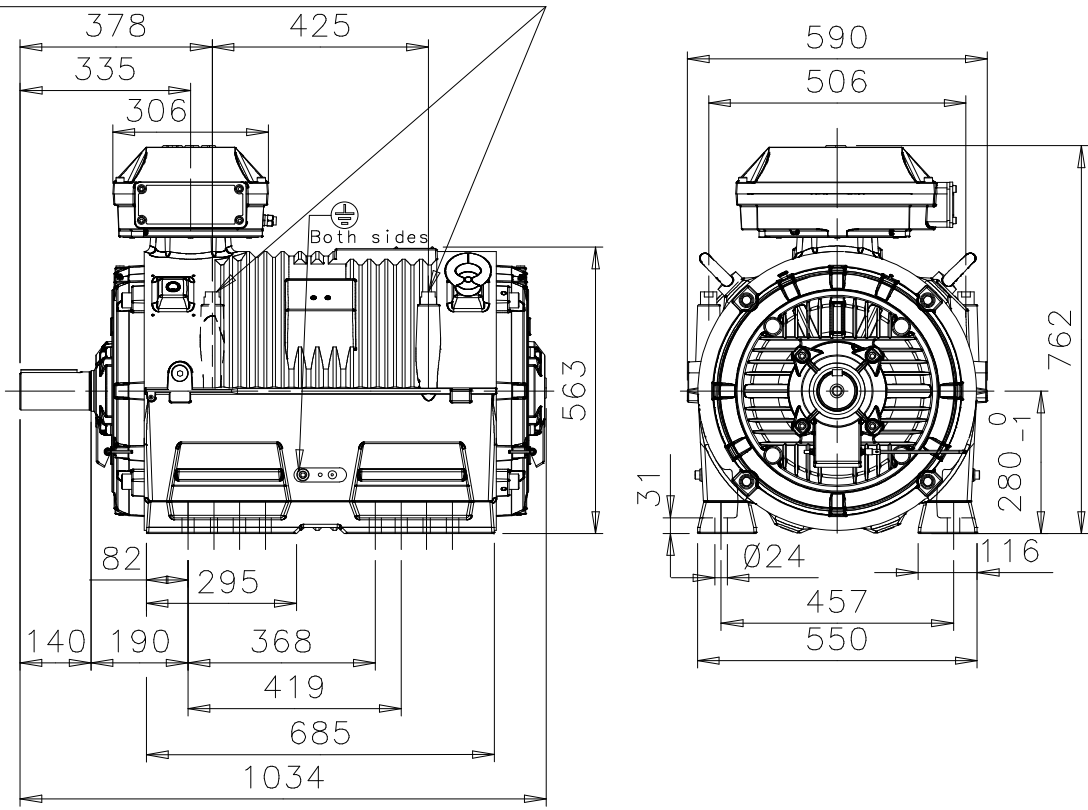


Water Inlet or Outlet R1/2



Additional information:

Dimension Print	Motor Type: M3LP 280SM_4-8 B3, B6, B7, B8, V5, V6	Document No: 3GZF500628-31 A 13 LP 280 A
	Description: WATER COOLED SQUIRREL CAGE MOTOR WITH TERMINAL BOX 210.	
Unit: Motors	Issued by: P.Lehtonen	Replaces:
Date: 03.07.2009	Approved by: T.Aro	Replaced by:
ABB Oy	Customer Reference:	ABB