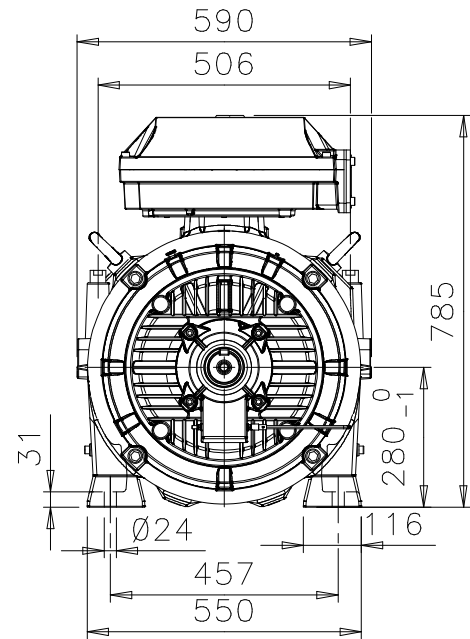
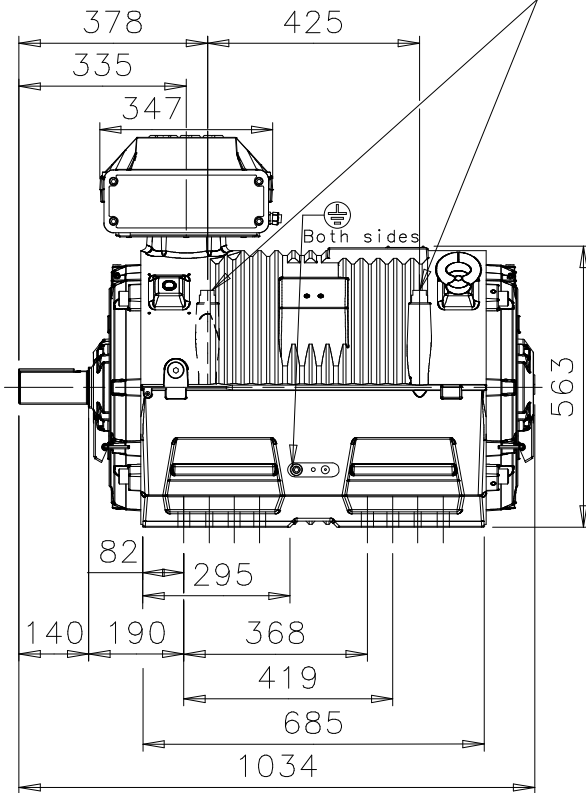


Water Inlet or Outlet R1/2



Additional information:

<b>Dimension Print</b>	Motor Type: M3LP 280SM_2 B3, B6, B8, B7, B8, V5, V6	Document No: 3GZF500628-40 A 13 LP 280 A
	Description: WATER COOLED SQUIRREL CAGE MOTOR WITH TERMINAL BOX 370.	
Unit: Motors Date: 10.07.2009	Issued by: A-R.Mäki Approved by: T.Aro	Replaces: Replaced by:
<b>ABB Oy</b>	Customer Reference:	<b>ABB</b>