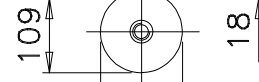
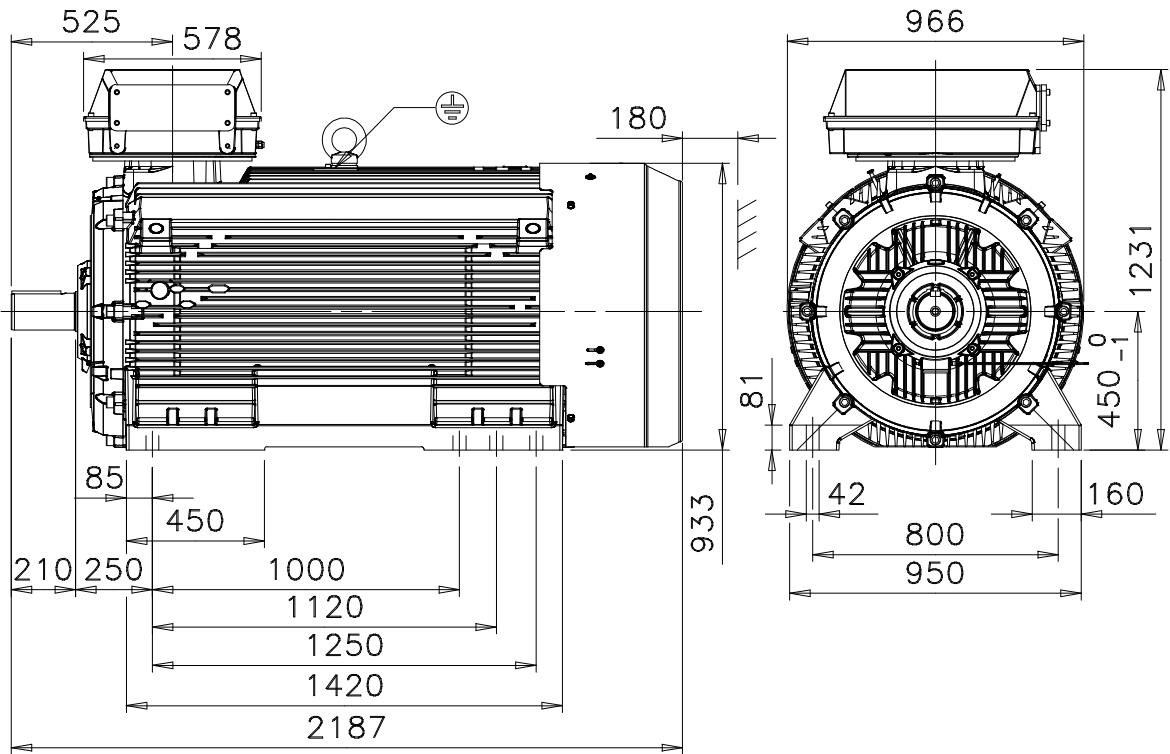


32h9 (-0,062)



∅120m6 (+0,035 / +0,013)



Additional information:

<b>Dimension Print</b>	Motor Type: M3BP 450L_4-12 B3, B6, B7, B8, V5, V6 M3HP/GP 450L_4-12 B3, B6, B7, B8, V6	Document No: 3GZF500045-4 C 13 BP 450 A
	Description: STANDARD SQUIRREL CAGE MOTOR, TERMINAL BOX 1200	
Unit: Motors Date: 29.11.2007	Issued by: T.Blomback Approved by: J.Vuorinen	Replaces: Replaced by:
<b>ABB Oy</b>	Customer Reference:	<b>ABB</b>