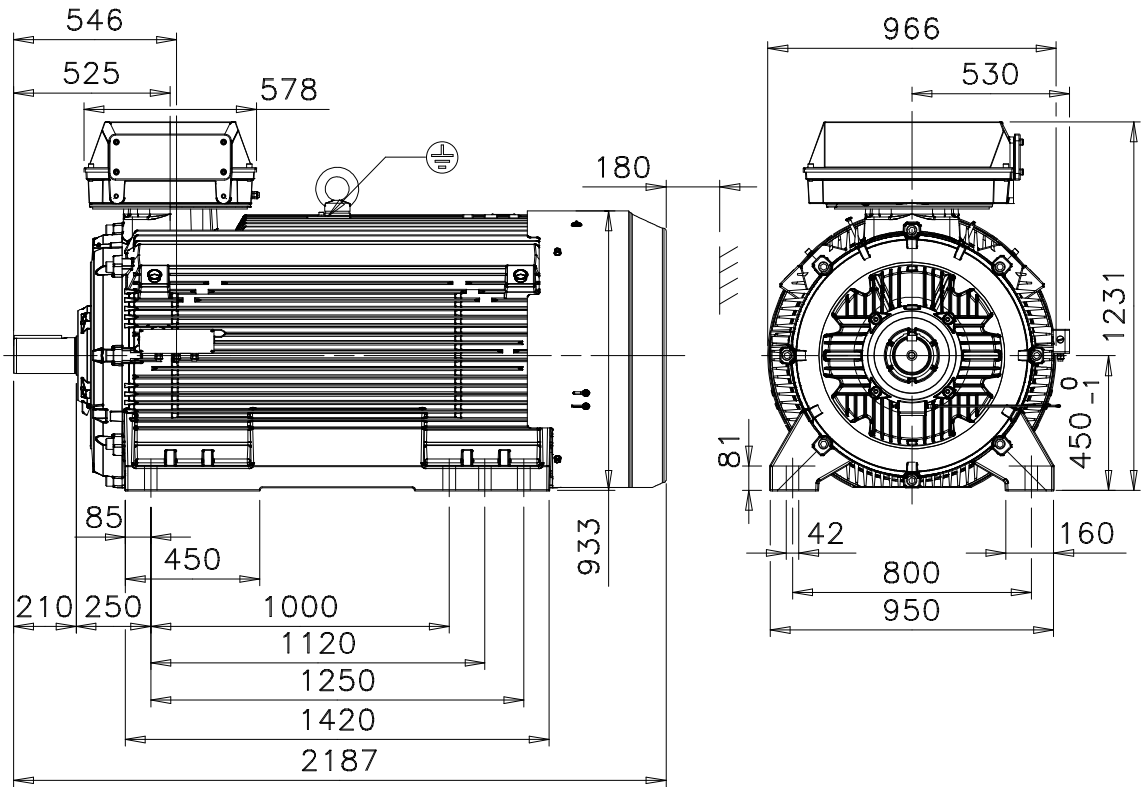


32h9 (-0.062)



∅120m6 (+0.035 / +0.013)



Additional information:

Dimension Print	Motor Type:	Document No:
	M3BP 450L_4-12 B3, B6, B7, B8, V5, V6	3GZF500045-43 B
	M3HP/GP 450L_4-12 B3, B6, B7, B8, V6	14 BP 450 A
Description:	SQUIRREL CAGE MOTOR WITH TERMINAL BOX 1200 AND AUXILIARY TERMINAL BOX	
Unit:	Motors	Issued by: A-R.Mäki
Date:	24.07.2009	Approved by: M.Sevola
	Customer Reference:	Replaces:
ABB Oy		Replaced by:
		ABB