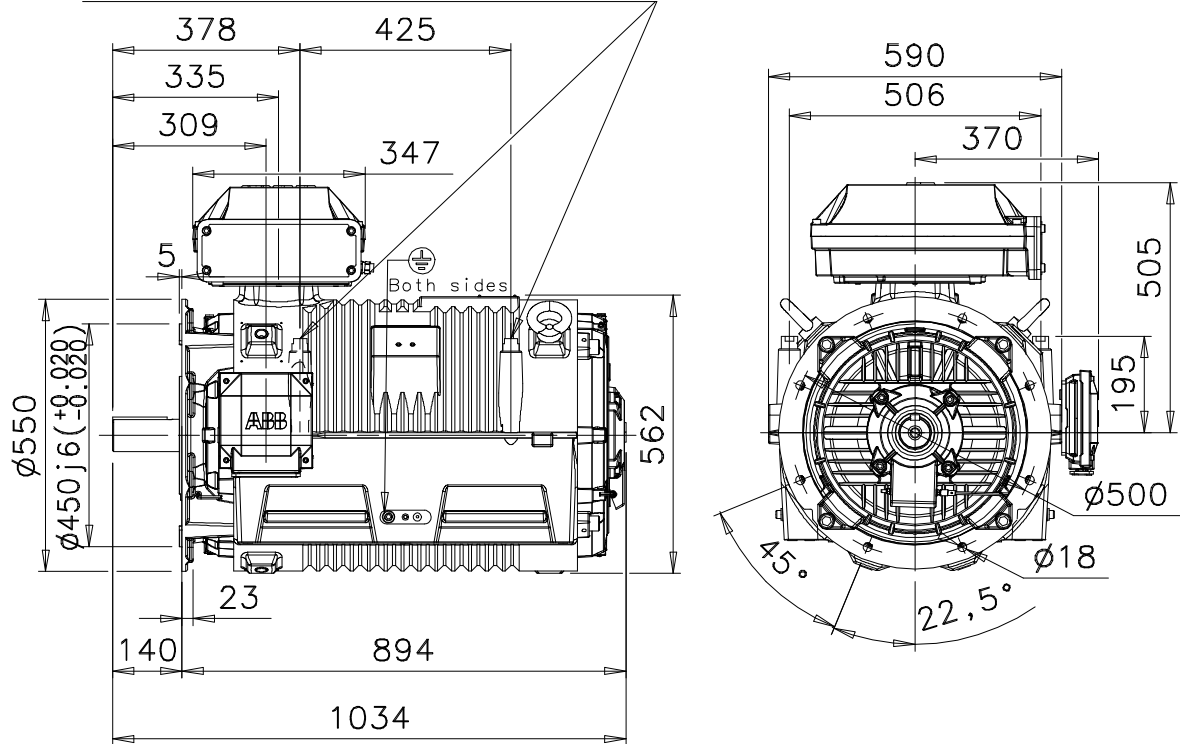
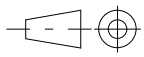


Water Inlet or Outlet R1/2



Additional information:

Dimension Print	Motor Type: M3LP 280SM_2 B5, V1, V3	Document No: 3GZF500628-56 A 14 LP 280 A
Description: WATER COOLED SQUIRREL CAGE MOTOR WITH TERMINAL BOX 370 AND AUXILIARY TERMINAL BOX (CAST IRON).		
Unit: Motors Date: 21.05.2010	Issued by: J.Mustonen Approved by: P.Viitanen	Replaces: Replaced by:
ABB Oy	Customer Reference:	ABB