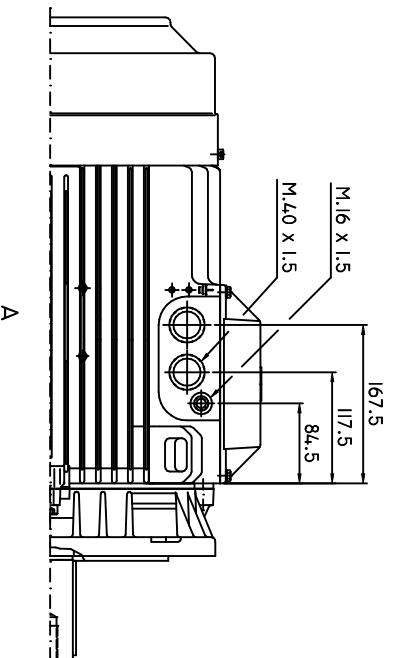


M3AA 180

(*) M-2, M-4, L-4, L-6, L-8, M-2/4, M-4/6, M-4/8, LB-2.

- 1) M3AA 180 L | Not acc. to IEC.
 No corresponde a IEC.
- 2) M3AA 180 M | Not acc. to IEC.
 No corresponde a IEC.



Motor Dimension Print

Motor Type :
M3AA180 (*)

Document N° :
AE 4431 5138-703

Description :

Motor foot and flange mounted IM2001 / Motor con patas y brida IM2001



Unit : **ABB Motores, S.A., Spain**
 Date : **2001-03-26**

Issued by : **IKA/ J.MUÑOZ**
 Approved by : **IKA/ R.PÉREZ**

Replaces : to date **1998-07-03**
 Replaced by :

ABB Motors

Customer Reference :