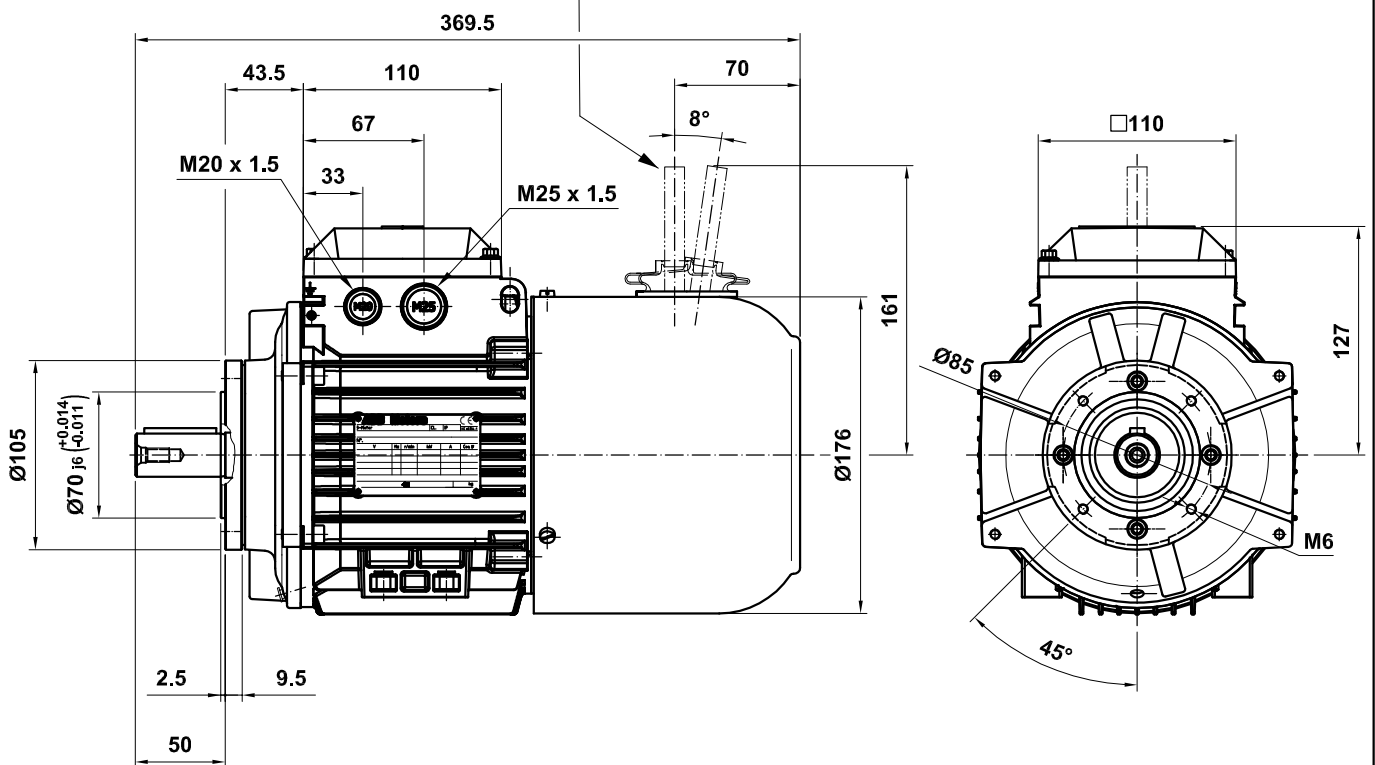


Manual hand release



M3ARF(S) 090 S

Motor Dimension Print		Motor Type : M3ARF(S) 090 S IMB5(14) FT-85	Document N° : A1.4867
Description : Brake motor flange mounted special (2-pieces) IM3001 or IM3601			
Unit : Automation Products - Fábrica Motores Date : 2008-03-28	Issued by : EMD/G.Gállego Approved by : EMD/G.Blanes	Replaces : Replaced by :	
Asea Brown Boveri, S.A.	Customer Reference :		ABB