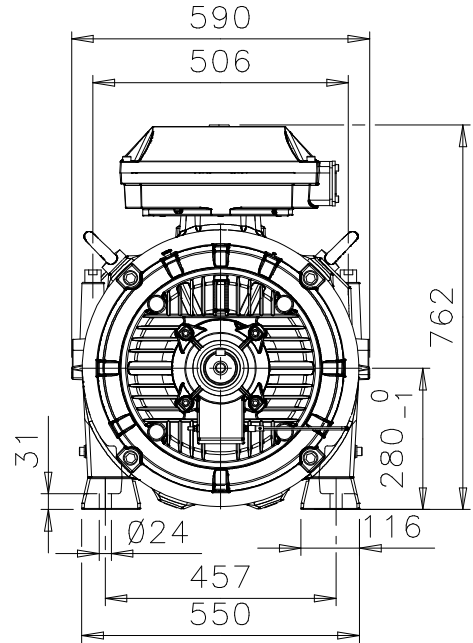
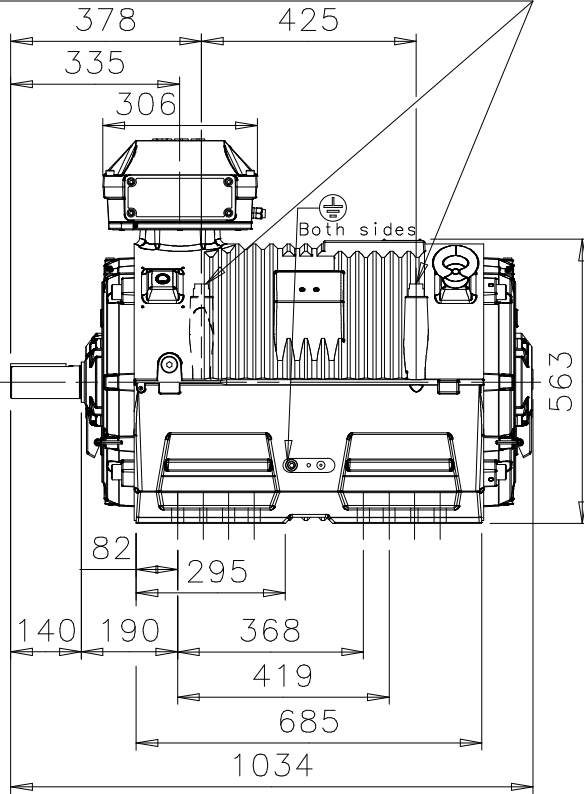


Water Inlet or Outlet R1/2



Additional information:

|                        |  |  |
|------------------------|--|--|
| <b>Dimension Print</b> | Motor Type:<br>M3LP 280SM_2 B3, B6, B7, B8, V5, V6                   | Document No:<br>3GZF500628-37 A<br>13 LP 280 A |
|                        | Description: WATER COOLED SQUIRREL CAGE MOTOR WITH TERMINAL BOX 210. |  |
| Unit: Motors           | Issued by: A-R.Mäki  | Replaces:                                      |
| Date: 10.07.2009       | Approved by: T.Aro   | Replaced by:                                   |
| <b>ABB Oy</b>          | Customer Reference:  | <b>ABB</b>                                     |