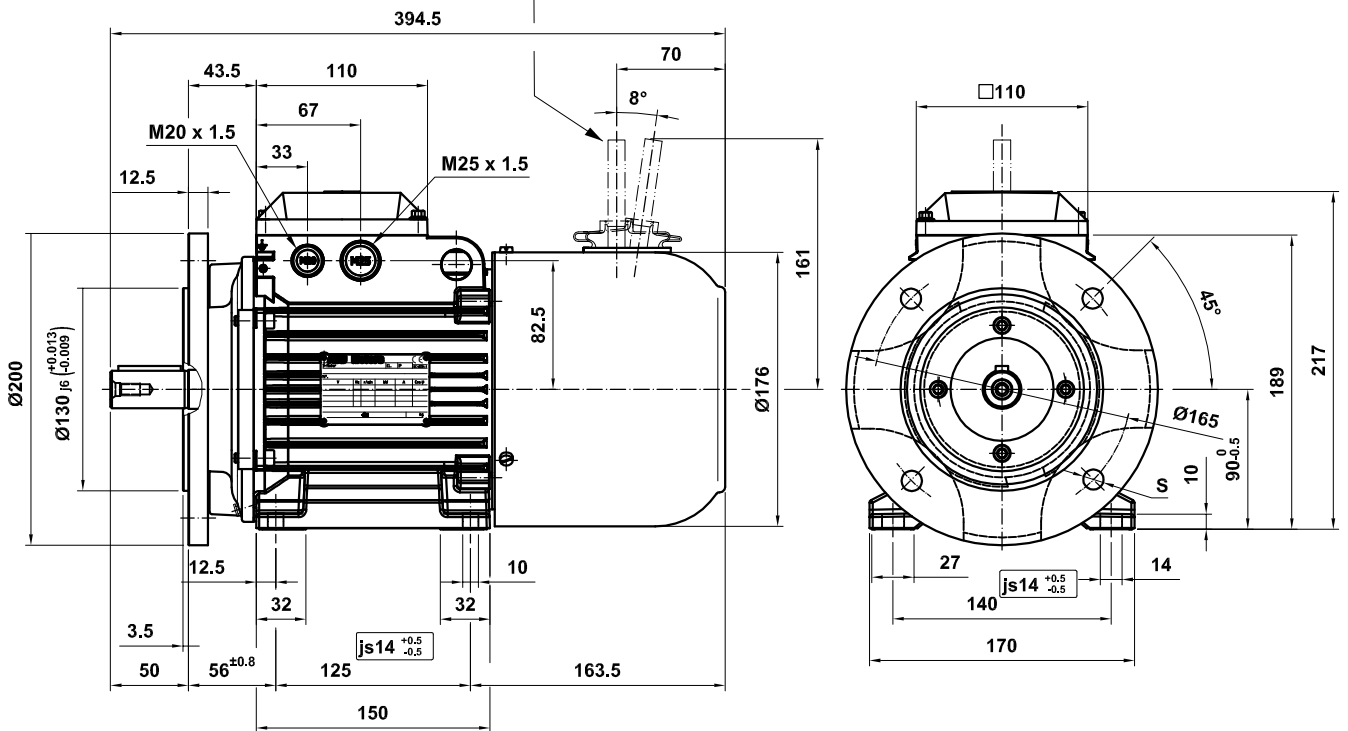


Manual hand release



S = { Ø13 – Special IM 2001  
M10 – Special IM 2101

# M3ARF(S) 090L

<b>Motor Dimension Print</b>		Motor Type : <b>M3ARF(S) 090 L IMB35 FF(T)-165</b>	Document N° : <b>A1.4906</b>
Description : <b>Brake motor foot and flange mounted special (2-pieces) IM2001 or IM2101</b>			
Unit : <b>Automation Products - Fábrica Motores</b>	Issued by : <b>EMD/ G.Gállego</b>	Replaces :	
Date : <b>2008-03-31</b>	Approved by : <b>EMD/ G.Blanes</b>	Replaced by :	
<b>Asea Brown Boveri, S.A.</b>	Customer Reference :		