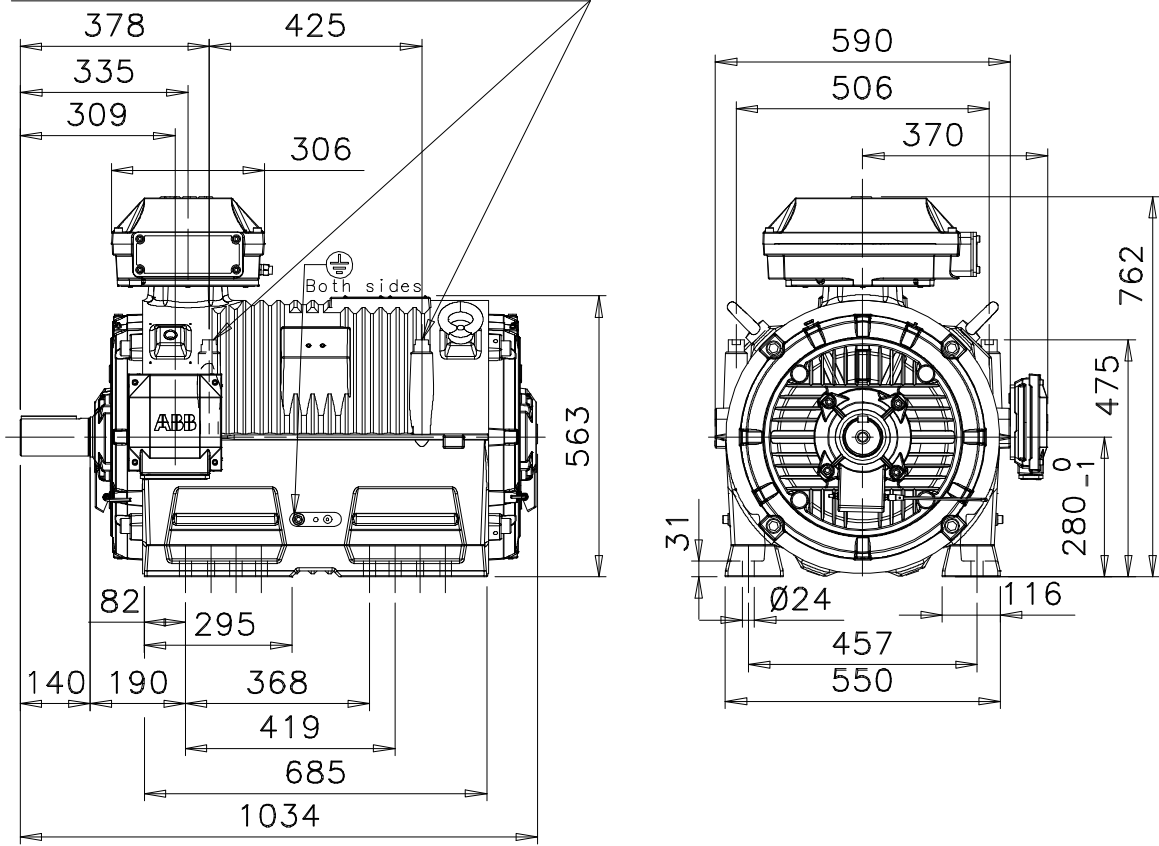


Water Inlet or Outlet R1/2



Additional information:

<b>Dimension Print</b>	Motor Type: M3LP 280SM_4-8 B3, B6, B7, B8, V5, V6	Document No: 3GZF500628-46 A 14 LP 280 A
	Description: WATER COOLED SQUIRREL CAGE MOTOR WITH TERMINAL BOX 210 AND AUXILIARY TERMINAL BOX (CAST IRON).	
Unit: Motors	Issued by: J.Mustonen	Replaces:
Date: 14.05.2010	Approved by: P.Viitanen	Replaced by:
<b>ABB Oy</b>	Customer Reference:	<b>ABB</b>