



September 14th 2011

Motors for explosive atmospheres Improved IE2 cast iron motors M3JP/KP/GP/HP sizes 80 – 132

Design

What is new in the H generation?



- Efficiency class IE2 acc to IEC 60034-30; 2008
 - Very low loss rotor and stator lamination
 - Longer cores
- Certified according latest versions of Ex standards
- Improved fastening of fan cover
- Forged steel feet for strong mounting

Design

Efficiency class IE2

- The high efficiency IE2 motor range for explosive atmospheres certified to IECEx and ATEX is now complete with the release of the new product
- High efficiency means savings in energy costs and CO₂ emissions but also:
 - Increased safety
 - Longer lifetime
 - Lower maintenance
 - Higher reliability
 - Uninterrupted production
- Meets the efficiency requirements of large end user specifications

Design Rating plates

ABB Oy, Motors and Generators Vaasa, Finland						
CE 0081		IE2		Ex II 2G		
3 ~ Motor M3KP 132SMB 2 IMB3/IM1001						
Ex de II B T4 Gb						
500475-10		2011		No. 3GF11061082		
				Ins.cl. F		IP 55
V	Hz	kW	r/min	A	cos φ	Duty
690 Y	50	5.5	2905	6	0.90	S1
400 D	50	5.5	2905	10.1	0.90	S1
415 D	50	5.5	2911	9.9	0.88	S1
IE2-87.0%(100%)-87.2%(75%)-85.8%(50%)						
Prod. code 3GKP131220-ADH						
LCIE 10 ATEX 3093 X / IECEX LCI 04.0009						
Manual: 3GZF500730-47				Nmax		r/min
6208-2Z/C3		6208-2Z/C3		92		kg
ABB			IEC 60034-1			

- IE2 motors with markings for both IECEx and ATEX:
 - IE2 marking
 - Ex marking according to EPL (explosive protection level) generation of standards
 - Markings according to both IEC and EN (ATEX) standards

Design improvements



Fastening of fan cover

- Improved fastening of fan cover on sizes 80-112
- Strong and vibration proof
- Three stainless steel bolts with locking washers

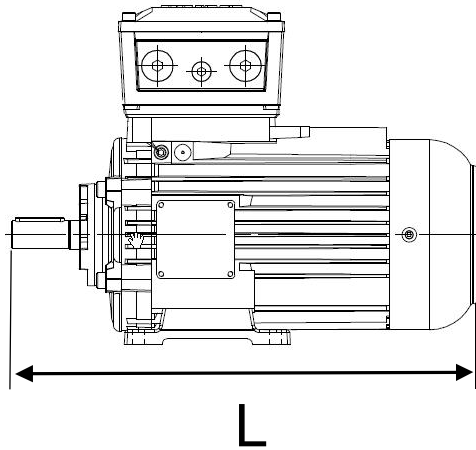


Forged steel feet

- Improved foot design for maximum durability
- Forged steel in stead of cast iron
- Superior resistance to shock loads
- Detachable for best flexibility

Mechanical changes

Length and weight



- In sizes 100 to 132 small changes in frame length
 - 100, 112 = + 40 mm
 - 132 = + 20 mm
- Other dimensions unchanged
- Small changes in motor weights

Documentation

- Performance data included in current catalogue
- From our web site You can find
 - Dimension drawings
 - Test reports
 - Spare part list
 - Certificates

Power and productivity
for a better world™

