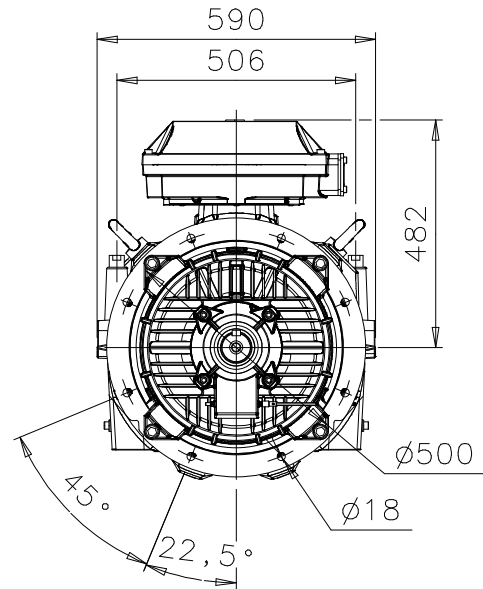
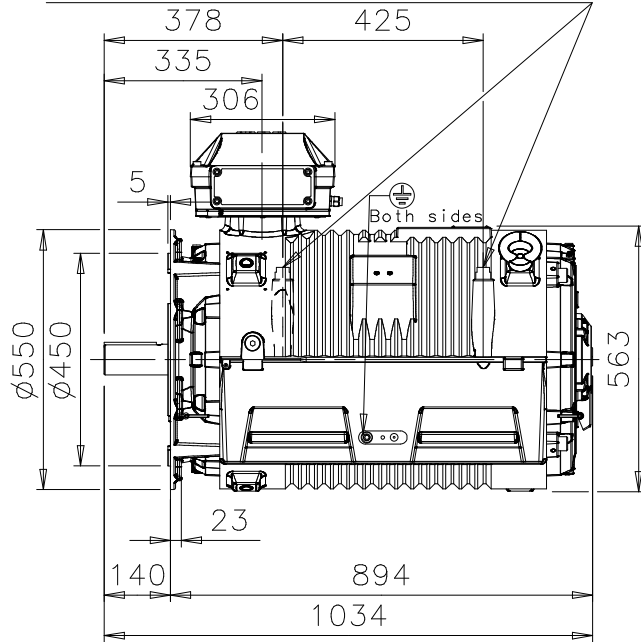


Water Inlet or Outlet R1/2



Additional information:

Dimension Print	Motor Type: M3LP 280SM_2 B5, V1, V3	Document No: 3GZF500628-38 A 13 LP 280 A
	Description: WATER COOLED SQUIRREL CAGE MOTOR WITH TERMINAL BOX 210.	
Unit: Motors	Issued by: A-R.Mäki	Replaces:
Date: 10.07.2009	Approved by: T.Aro	Replaced by:
ABB Oy	Customer Reference:	ABB