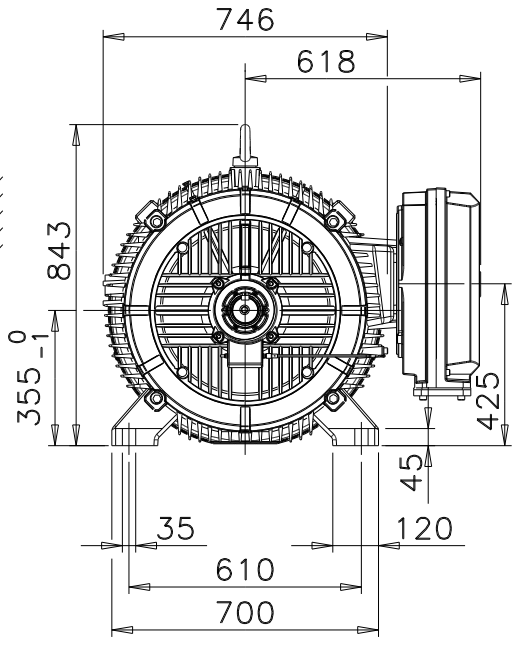
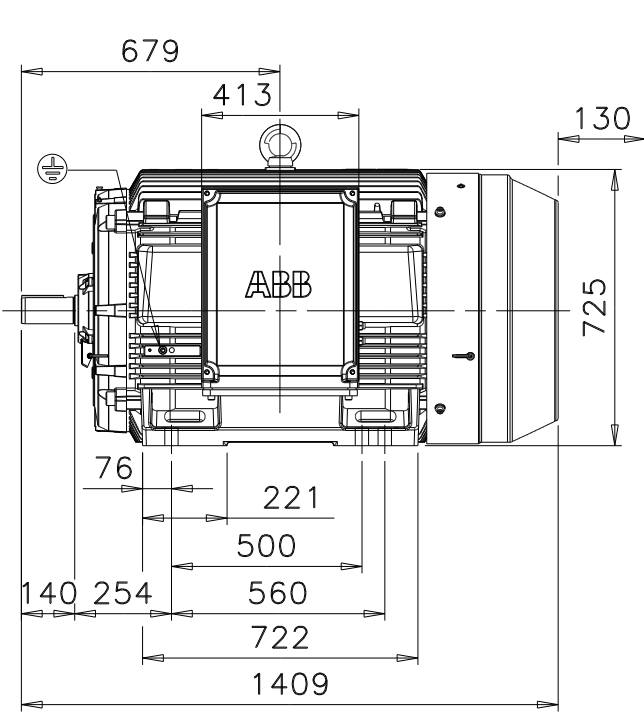


$\phi 70m6 (+0.030 / +0.011)$



Comment:

<b>Technical Information</b>	Motor Type: M3/M4BP 355SM_2 B3, B6, B7, B8, V5, V6 M3HP/GP 355SM_2 B3, B6, B7, B8, V6	Document No: 3GZF500035-85 D 13 BP 355 A
	Description: STANDARD SQUIRREL CAGE MOTOR, TERMINAL BOX 750 RHS	
Unit: Motors	Issued by: A-R.Mäki	Replaces:
Date: 18.08.2010	Approved by: J-P.Alanen	Replaced by:
<b>ABB Oy</b>	Customer Reference:	<b>ABB</b>