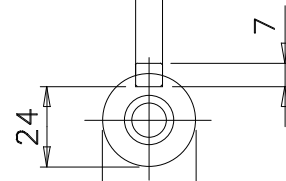
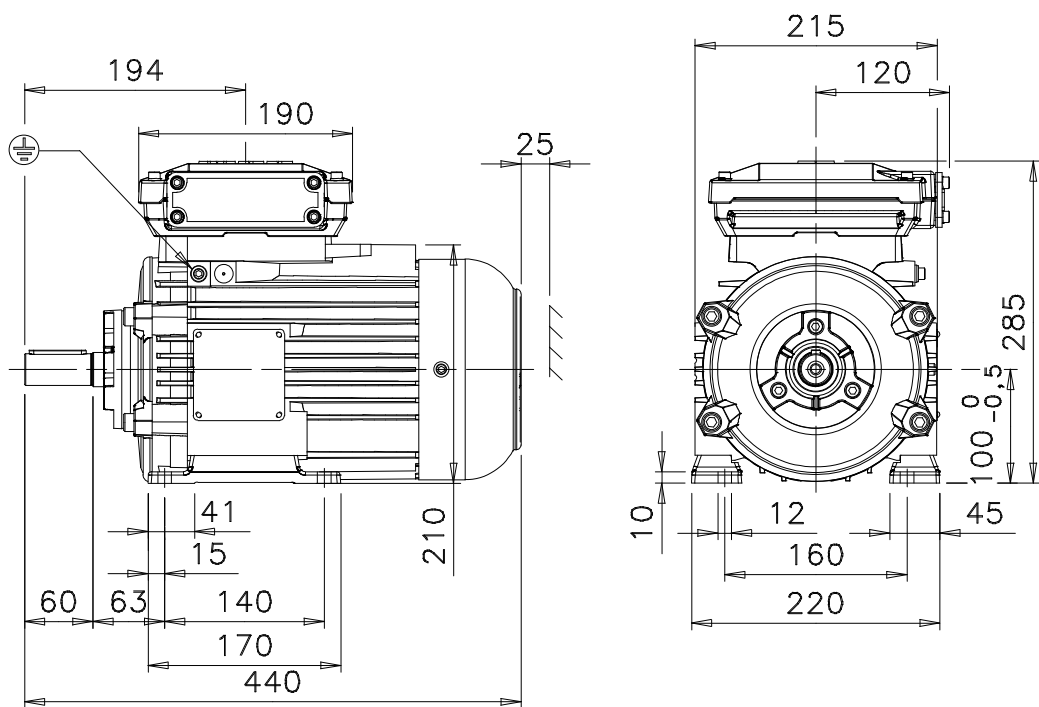


8h9 ( $-\frac{0}{0.036}$ )



$\phi 28 j 6 (\frac{+0.009}{-0.004})$



Additional information:

<b>Dimension Print</b>	Motor Type: M3KP/GP/HP 100L_2-8, B3, B6, B7, B8, V6	Document No: 3GZF500110-19 B 13 KP 100 A
	Description: STANDARD SQUIRREL CAGE MOTOR	
Unit: ABB Oy, Motors	Issued by: T.Kuusisto	Replaces:
Date: 24.04.2006	Approved by: S.Sauna-aho	Replaced by:
<b>ABB Oy</b>	Customer Reference:	<b>ABB</b>