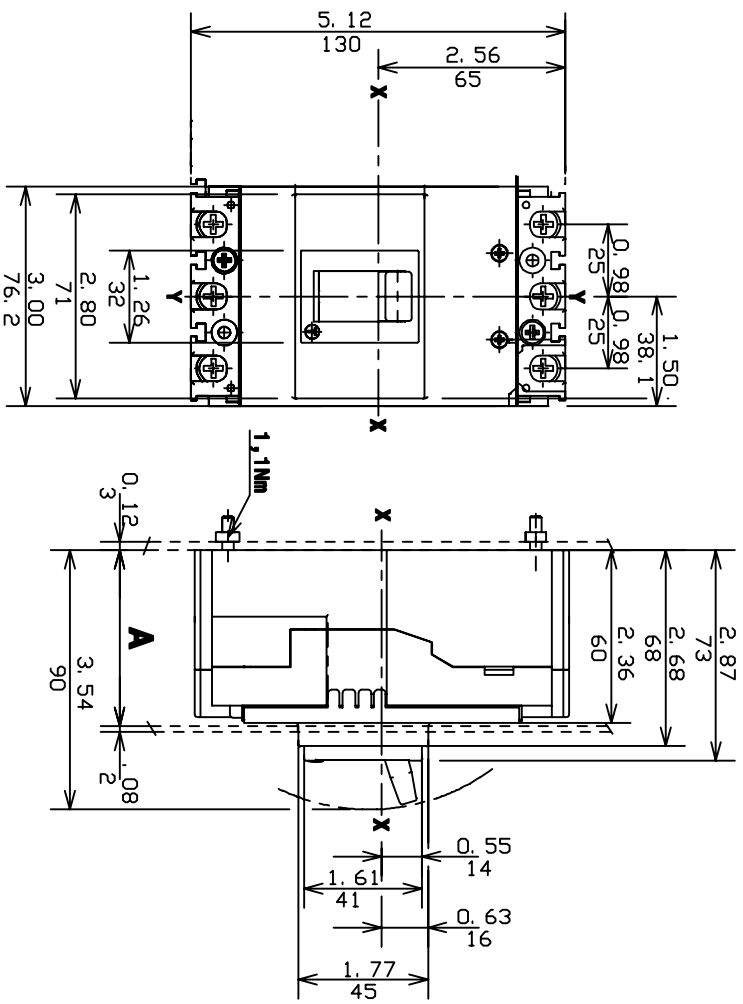


FORMULA A1	
FRAME SIZE	100
RATED CURRENT	15...100
POLES	3
RATED SERVICE VOLTAGE - AC (50/60 HZ)	240
RATED SERVICE VOLTAGE - DC	250
VERSION	FIXED


RATED ULTIMATE SHORT CIRCUIT BREAKING CAPACITY		
PERFORMANCE LEVEL	A	N
INTERRUPTING RATING @ 240VAC	10 kA	25 kA
INTERRUPTING RATING @ 125VDC	-	-
INTERRUPTING RATING @ 250VDC	5 kA	10 kA
REFERENCE STANDARD	UL 489	



DISTANCE BETWEEN COMPARTMENT DOOR AND BACK OF SWITCHBOARD	A [mm/in]
WITHOUT FLANGE	1, 2, & 3 POLE 69/2.72
	1, 2, & 3 POLE 61/2.40

THE CIRCUIT BREAKER INSTALLED AT:
 - A = 69mm/2.72in HAS THE FACE AROUND THE OPERATING LEVER EXTENDING FROM THE COMPARTMENT DOOR;
 - A = 61mm/2.40in HAS THE FACE AROUND THE OPERATING LEVER AND STEEL WITH CONSTRUCTION CHARACTERISTICS EXTENDING FROM THE COMPARTMENT DOOR;

ACCESSORIES		PART NUMBER
DIRECT ROTARY HANDLE		KA2RHD
EXTENDED ROTARY HANDLE		KA2RHE
LOW INSULATING TERMINAL COVERS		KA1LTC-3
HIGH INSULATING TERMINAL COVERS		KA1HTC-3
PHASE SEPARATORS - LOW		KA1PBL-3
PHASE SEPARATORS - HIGH		KA2PBH-3
FRONT TERMINALS FOR CUAl CABLES - 80A		KA1080-3
FRONT TERMINALS FOR CUAl CABLES - 100A		KA1100-3

DO NOT SCALE DRAWING		THIS DRAWING IS THE PROPERTY OF ABB Inc. AND CONTAINS PROPRIETARY AND CONFIDENTIAL INFORMATION WHICH MUST NOT BE OR DUPLICATED, USED OR DISCLOSED WITHOUT THE EXPRESS AUTHORIZATION BY ABB Inc.	
SCALE FULL	DIMENSIONS ARE IN IN [mm]		
Material:	Finish:		
STANDARD TOLERANCES ANGLES		DATE	REV.
2 PL DEC. ±.030	3 PL DEC. ±.030	9/1/11	A
REV. OR APPD BY	DATE	CHK'D	SIZE
REVISIONS		APP'R'D	DRAWING NUMBER
		SHEET 1 OF 1	D 2201 9000-004
			TITLE
			FORMULA BREAKER A1 - 3 POLE TECHINCAL DATA
			PART