

DRAWING NUMBER
D 2501 8013-020

OS800L03
600VAC 800A 3-Pole
Class L Fused Open Type Switch
Rotary operated
cULus Listed, 97C2
Open Type Switch
UL File #E101914

Short Circuit Rating at 600VAC		
KA	Fuse/A	Fuse class
200	800	L

3-phase HP Ratings			
VAC	240	480	600
HP	250	500	500

Accessories:

Operating Handle
OHB200J12 - Type 1, 3R, 12
OHB200L12 - Type 1, 3R, 4, 4X, 12
Ref. drawing D 2501 8001-014 for
t-style grip handle dimensions and
installation details.

Terminal Lug Kits

OZXA-800 - 6 lugs
OZXA-800/3 - 3 lugs

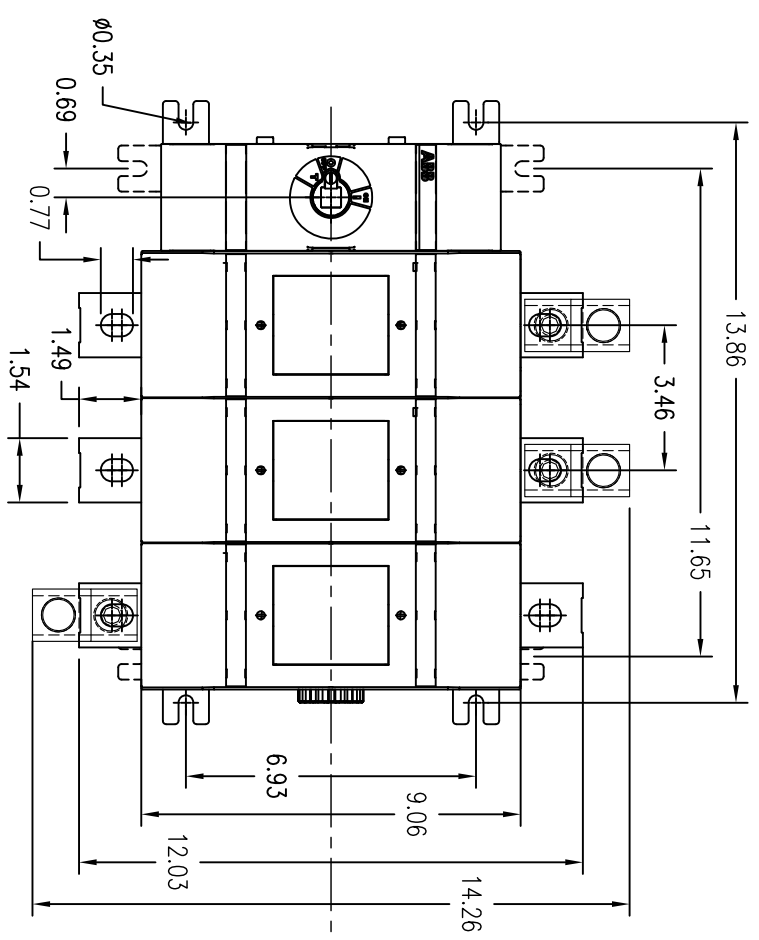
Wire Range:
(2) #2 AWG - 600kcmil
AL7CU, UL Listed

Operating Shaft - Max. encl. depth

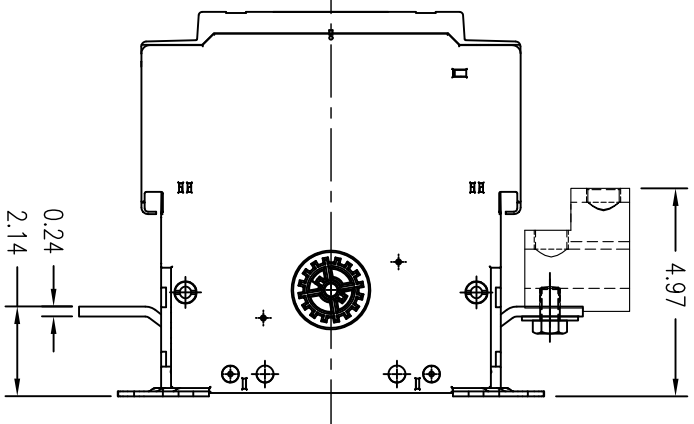
OXP12X280 - 15.20 in.
OXP12X325 - 17.00 in.
OXP12X395 - 19.70 in.
OXP12X465 - 22.40 in.
OXP12X355 - 25.20 in.

Auxiliary Contacts

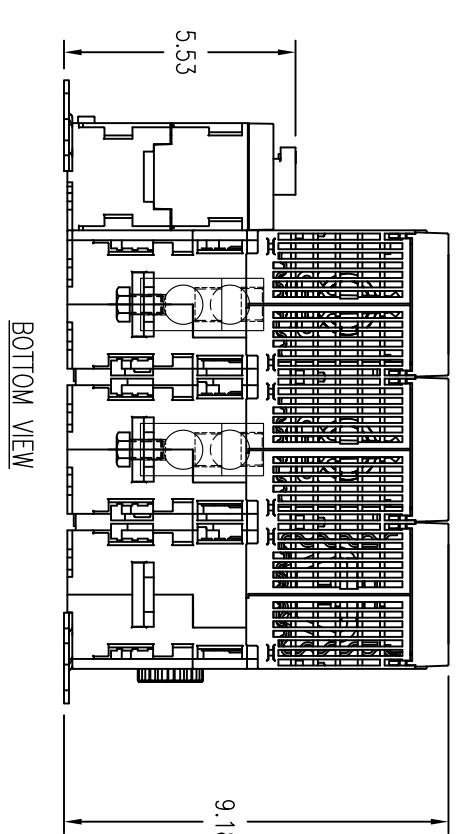
OATG10 - 1n.o.
OASG01 - 1n.c.
OEA28 - Module for contacts



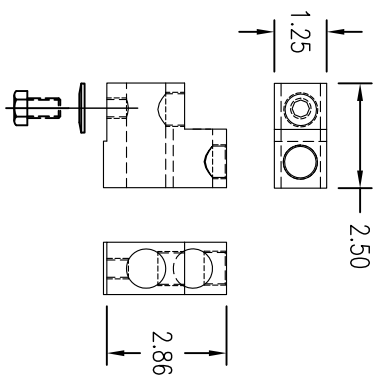
FRONT VIEW


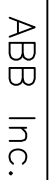


RIGHT SIDE VIEW



BOTTOM VIEW



DO NOT SCALE DRAWING		THIS DRAWING IS THE PROPERTY OF ABB Inc. AND CONTAINS PROPRIETARY AND CONFIDENTIAL INFORMATION WHICH MUST NOT BE OR REPRODUCED, COPIED, OR TRANSMITTED IN ANY FORM OR BY ANY MEANS WITHOUT THE EXPRESS WRITTEN AUTHORIZATION BY ABB Inc.	
SCALE FULL	DIMENSIONS ARE IN INCHES		DATE 11/3/2011
Material:	Finish:		DRAWN F. GARCIA
STANDARD TOLERANCES			CHK'D
2 PL DEC. ±.030	3 PL DEC. ±.030		APPR'D
REVISIONS	DATE	SHEET 1 OF 1	REV. A
REV. LET.		TITLE OS800L03 3-POLE FUSIBLE OPEN TYPE SWITCH DRAWING NUMBER D 2501 8013-020	

CUST / SHOP