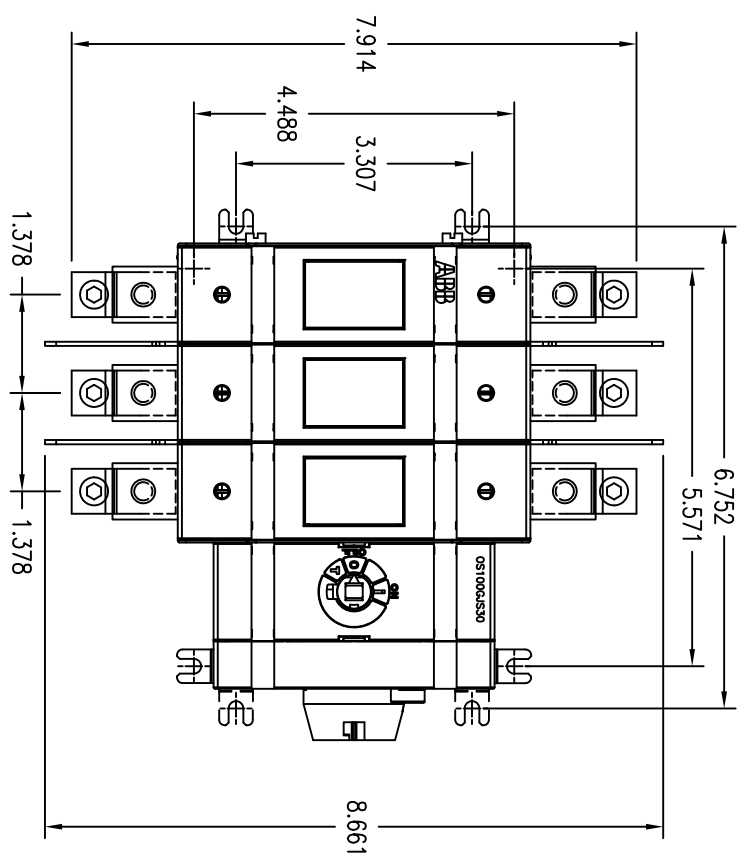
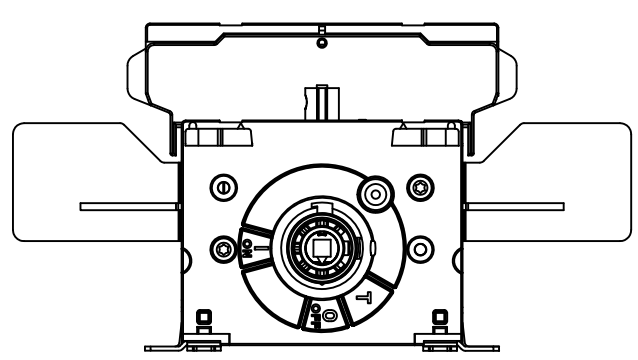


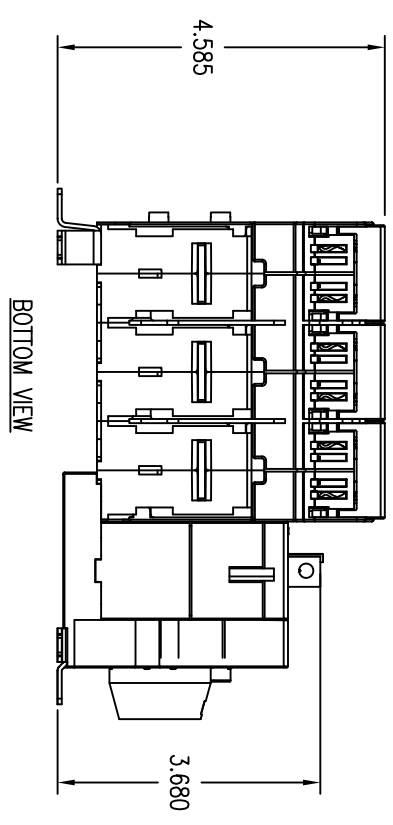
DRAWING NUMBER
D 2501 8013-016



FRONT VIEW



RIGHT SIDE VIEW



BOTTOM VIEW

OS100GJS30
600VAC 100A 3-Pole
Class J Fused Open Type Switch
Rotary operated

Open Type Switch
UL File E101914
cullus Listed

Short Circuit Rating at 600VAC		
KA	Fuse/A	Fuse class
200	100	J

3-phase HP Ratings		
VAC	240	480 600
HP	30	60 75

Accessories:

Operating Handle
 OHB65J6 - Type 1, 3R, 12
 OHB65L6 - Type 1, 3R, 4, 4X, 12
 OHB80J6 - Type 1, 3R, 12
 OHB80L6 - Type 1, 3R, 4, 4X, 12
 Ref. drawing D 2501 8001-001
 for pistol handle dimensions and
 installation details.

Terminal Lug Kits
 OZXA-24 - 6 Lugs
 Wire Range:
 #14 AWG - 2/0
 AL7CU, UL Recognized

Operating Shaft - Max. encl. depth
 OXP6X150 - 8.5 IN.
 OXP6X210 - 11.0 IN.
 OXP6X290 - 14.0 IN.
 OXP6X360 - 16.8 IN.
 OXP6X430 - 19.7 IN.

Auxiliary Contacts
 OA1G10 - 1n.o.
 OA3G01 - 1n.c.
 OEA28 - Module for contacts

SHROUDS
 OSS160GG1L/3 (3 POLE)
 OSS160GG1L/4 (4 POLE)

FUSE MONITORS
 OFSS260 - 100-260VAC
 OFSS690 - 380-690VAC
 OFMZX2 - CRIMP TERMINALS

REV. LET.	REV. OR APPD BY	DATE	THIS DRAWING IS THE PROPERTY OF ABB Inc. AND CONTAINS PROPRIETARY AND CONFIDENTIAL INFORMATION WHICH MUST NOT BE OR REPRODUCED OR DISCLOSED OTHER THAN EXPRESSLY AUTHORIZED BY ABB Inc.	ABB Inc.	DATE 2/9/11	REV. A	TITLE OS100GJS30 3-POLE CLASS J FUSED DISCONNECT SWITCH
REVISIONS					DRAWN TD	SIZE A	DRAWING NUMBER D 2501 8013-016
					CHK'D		
					PROJECT NO.		
					SHEET 1 OF 1		