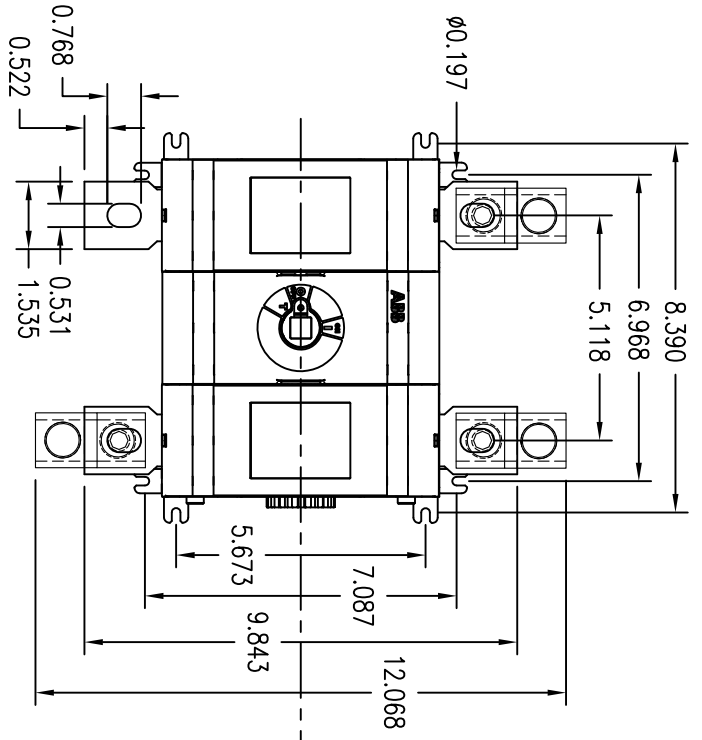
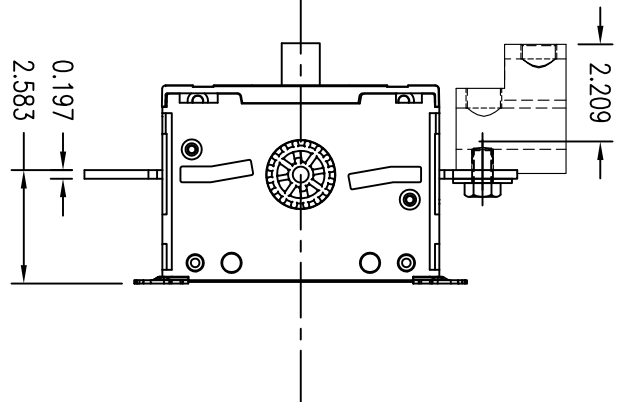


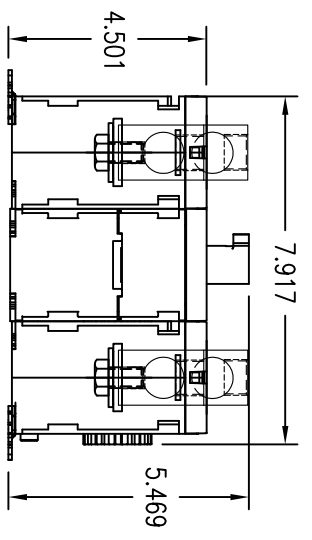
DRAWING NUMBER
D 2501 8002-007



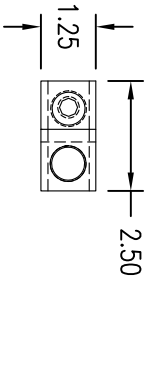
FRONT VIEW



RIGHT SIDE VIEW



BOTTOM VIEW



Short Circuit Rating at 600VAC		
KA	Fuse/A	Fuse class
100	800	J, T or L
100	600	RK5
35		Circuit Breaker

3-phase HP Ratings				
VAC	208	240	480	600
HP	150	200	450	500

Accessories:

Operating Handle
OHB175J12 - Type 1, 3R, 12
OHB175L12 - Type 1, 3R, 4, 4X, 12
Ref. drawing D 2301 8001-001 for pistol grip handle dimensions and installation details.

Terminal Lug Kits

OZXA-800 - 4 lugs
Wire Range:

(2) #2 AWG - 600kcmil
AL7CU, UL Listed

Operating Shaft - Max. encl. depth

OXp12X220 - 12.00 in.
OXp12X280 - 14.50 in.
OXp12X325 - 16.30 in.
OXp12X395 - 19.10 in.
OXp12X465 - 21.80 in.
OXp12X625 - 28.10 in.

Auxiliary Contacts

OATG10 - 1n.o.
OAS601 - 1n.c.

REV.	REV. OR	DATE	REV OR	APPD BY	<p>THIS DRAWING IS THE PROPERTY OF ABB Inc. AND CONTAINS PROPRIETARY AND CONFIDENTIAL INFORMATION WHICH MUST NOT BE OR REPRODUCED OR DISCLOSED IN ANY MANNER WITHOUT THE EXPRESS AUTHORIZATION BY ABB Inc.</p>		DATE	REV.	TITLE
LET.	REVISIONS						14/3/11	A	OT600U11
							DRAWN		2-Pole Non-Fused
							CHK'D		Open Type Switch
							PROJECT NO.		DRAWING NUMBER
					SHEET	A	D 2501 8002-007		
					1 OF 1				