

DRAWING NUMBER
D 2501 8014-025

OS800L22
600VAC 800A 4-Pole
Class L Fused Open Type Switch
Rotary operated
cULus Listed, 97C2
Open Type Switch
UL File #E101914

Short Circuit Rating at 600VAC		
KA	Fuse/A	Fuse class
200	800	L

3-phase HP Ratings			
VAC	240	480	600
HP	250	500	500

Accessories:

Operating Handle
OHB200J12 - Type 1, 3R, 12
OHB200L12 - Type 1, 3R, 4, 4X, 12
Ref. drawing D 2501 8001-014 for
t-style grip handle dimensions and
installation details.

Terminal Lug Kits

OZXA-800 - 8 lugs
OZXA-800/3 - 4 lugs

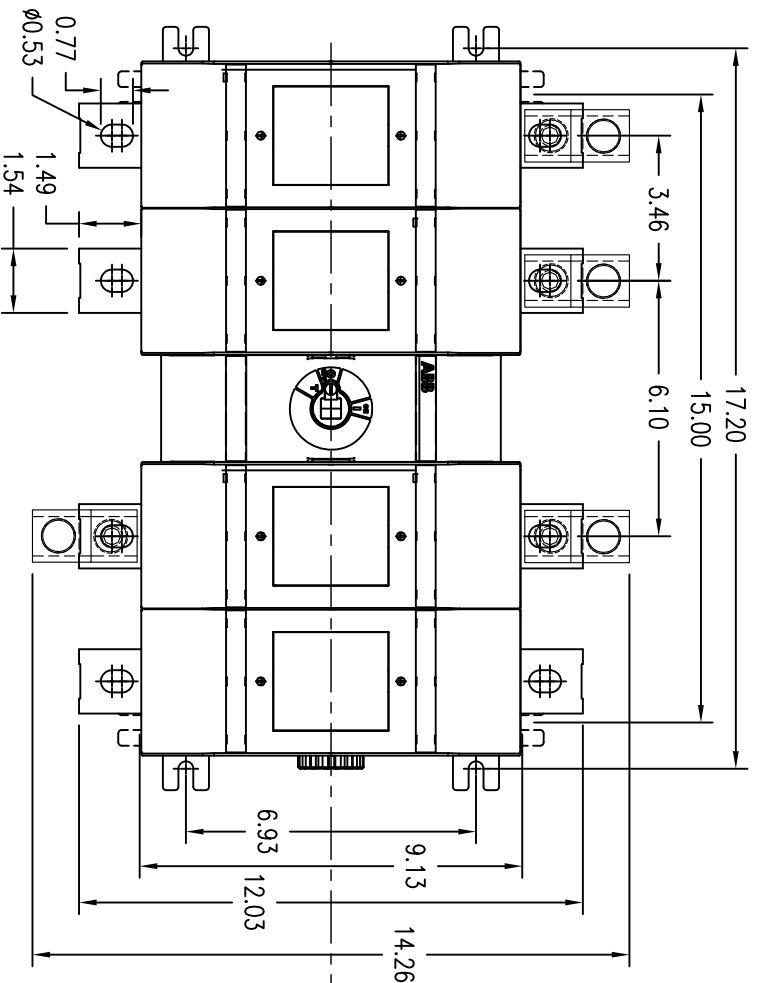
Wire Range:
(2) #2 AWG - 600kcmil
AL7CU, UL Listed

Operating Shaft - Max. encl. depth

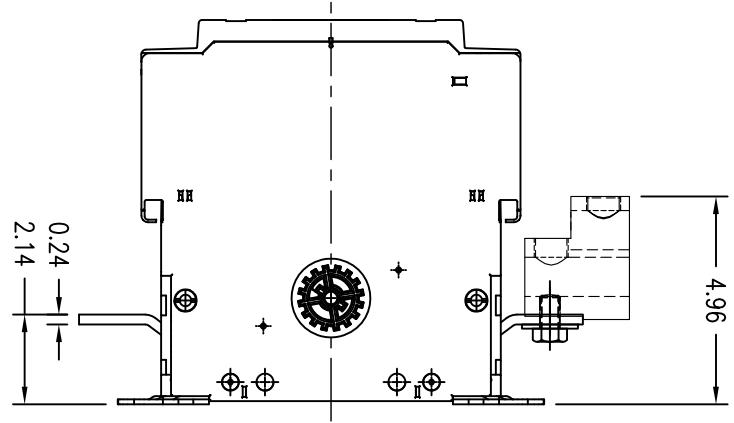
OXp12X280 - 15.20 in.
OXp12X325 - 17.00 in.
OXp12X395 - 19.70 in.
OXp12X465 - 22.40 in.
OXp12X355 - 25.20 in.

Auxiliary Contacts

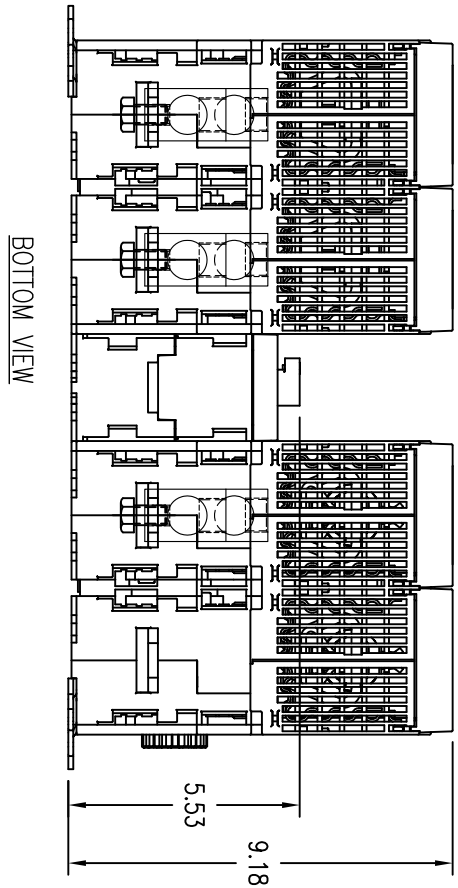
OATG10 - 1n.o.
OASG01 - 1n.c.
OEA28 - Module for contacts



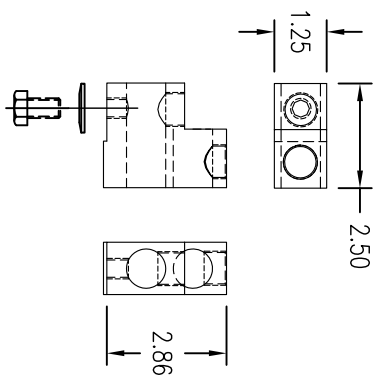
FRONT VIEW



RIGHT SIDE VIEW



BOTTOM VIEW



DO NOT SCALE DRAWING		SCALE FULL		DIMENSIONS ARE IN INCHES	
Material:		Finish:		STANDARD TOLERANCES ANGLES ±1°	
2 PL DEC. ±.030		3 PL DEC. ±.030		APPD BY	
REV. OR		DATE		REVISIONS	
REV. LET.		DATE		REVISIONS	

THIS DRAWING IS THE PROPERTY OF ABB Inc. AND CONTAINS PROPRIETARY AND CONFIDENTIAL INFORMATION WHICH MUST NOT BE OR REPRODUCED, COPIED, OR DISCLOSED WITHOUT THE EXPRESS AUTHORIZATION by ABB Inc.

ABB Inc.

DATE: 11/3/2011
DRAWN: F. GARCIA
CHK'D: APPR'D: SHEET 1 OF 1

REV. A
TITLE: OS800L22
4-POLE FUSIBLE OPEN TYPE SWITCH
DRAWING NUMBER: D 2501 8014-025

CUST / SHOP