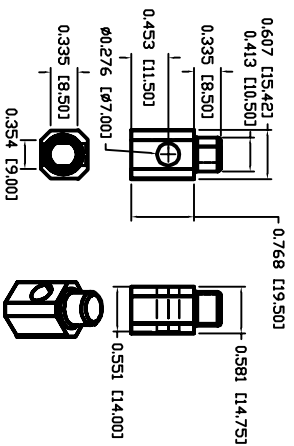


FORMULA A1 BREAKER

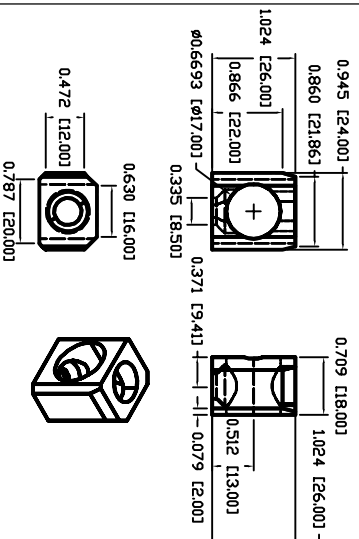
FRONT TERMINALS FOR CUAl CABLES - 80A



LUG KIT PART NUMBERS	# OF LUGS/KIT
KA1080-1*	1
KA1080-2*	2
KA1080-3	3
KA1080-4*	4
KA1080-6	6

* - THE TERMINAL COVERS ARE NOT SUPPLIED FOR 1 AND 2 POLE LUG KITS. THE USE OF PHASE SEPARATORS, SUPPLIED WITH THE STANDARD CIRCUIT BREAKER, AND THE INSULATING OF SWITCHBOARD DOOR ARE MANDATORY.

FRONT TERMINALS FOR CUAl CABLES - 250A Cu / 225A Al



LUG KIT PART NUMBERS	# OF LUGS/KIT
KA2225-1*	1
KA2225-2*	2
KA2225-3	3
KA2225-4*	4
KA2225-6	6

* - THE TERMINAL COVERS ARE NOT SUPPLIED FOR 1 AND 2 POLE LUG KITS. THE USE OF PHASE SEPARATORS, SUPPLIED WITH THE STANDARD CIRCUIT BREAKER, AND THE INSULATING OF SWITCHBOARD DOOR ARE MANDATORY.

CABLE RANGE	TIGHTENING TORQUES	LENGTH OF CABLE STRIPPING
RIGID	TERMINAL CABLE/BUS BAR	[mm/in]
1 AWG - 300 kcmil	M8 35lb-in	20/.78

DO NOT SCALE DRAWING

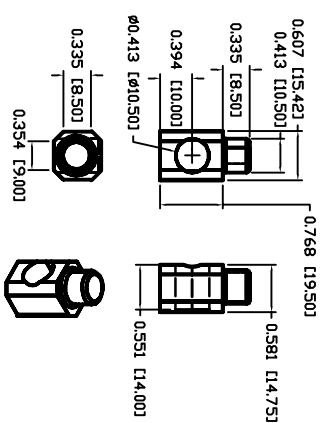
THIS DRAWING IS THE PROPERTY OF ABB Inc. AND CONTAINS PROPRIETARY AND CONFIDENTIAL INFORMATION WHICH MUST NOT BE REPRODUCED, COPIED, DULICATED, USED OR TRANSMITTED IN ANY MANNER WITHOUT THE AUTHORIZATION BY ABB Inc.

DATE: 9/5/11
 DRAWN: TD
 CHK'D: [blank]
 APPR'D: [blank]

REV. A
 TITLE: FORMULA BREAKER A1 & A2 TERMINAL LUG TECHNICAL DATA
 SIZE: DRAWING NUMBER D 2201 9000-008

FORMULA A1 BREAKER

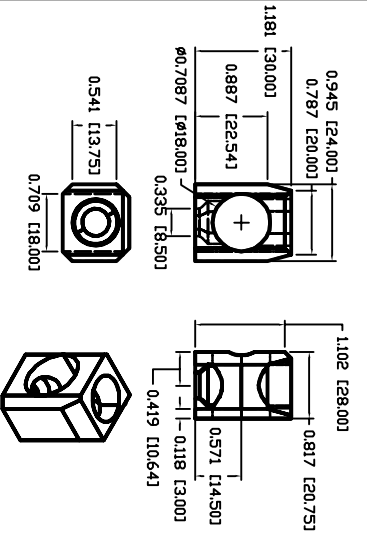
FRONT TERMINALS FOR CUAl CABLES - 100A



LUG KIT PART NUMBERS	# OF LUGS/KIT
KA1100-1*	1
KA1100-2*	2
KA1100-3	3
KA1100-4*	4
KA1100-6	6

* - THE TERMINAL COVERS ARE NOT SUPPLIED FOR 1 AND 2 POLE LUG KITS. THE USE OF PHASE SEPARATORS, SUPPLIED WITH THE STANDARD CIRCUIT BREAKER, AND THE INSULATING OF SWITCHBOARD DOOR ARE MANDATORY.

FRONT TERMINALS FOR CUAl CABLES - 250A



LUG KIT PART NUMBERS	# OF LUGS/KIT
KA2250-1*	1
KA2250-2*	2
KA2250-3	3
KA2250-4*	4
KA2250-6	6

* - THE TERMINAL COVERS ARE NOT SUPPLIED FOR 1 AND 2 POLE LUG KITS. THE USE OF PHASE SEPARATORS, SUPPLIED WITH THE STANDARD CIRCUIT BREAKER, AND THE INSULATING OF SWITCHBOARD DOOR ARE MANDATORY.

CABLE RANGE	TIGHTENING TORQUES	LENGTH OF CABLE STRIPPING
RIGID	TERMINAL CABLE/BUS BAR	[mm/in]
300 - 350 kcmil	M8 35lb-in	22/.86