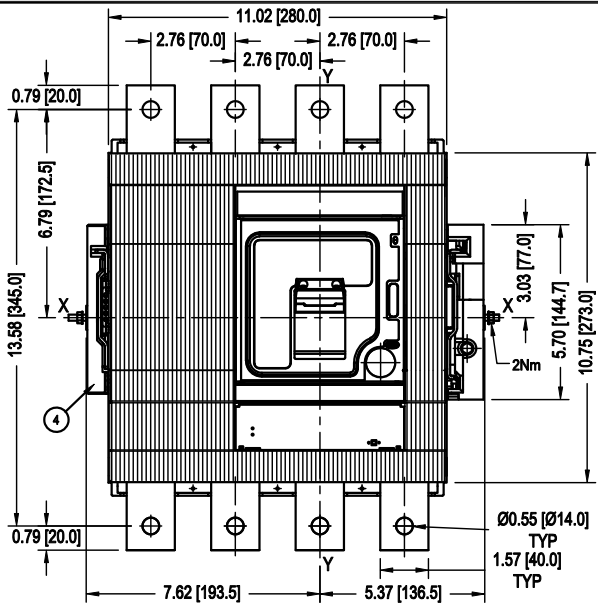
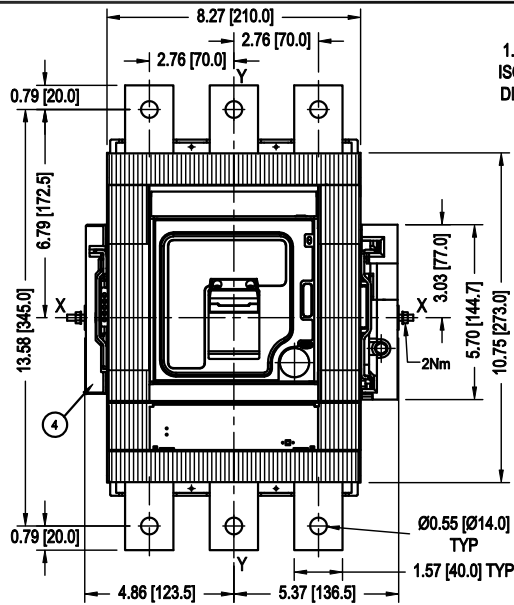


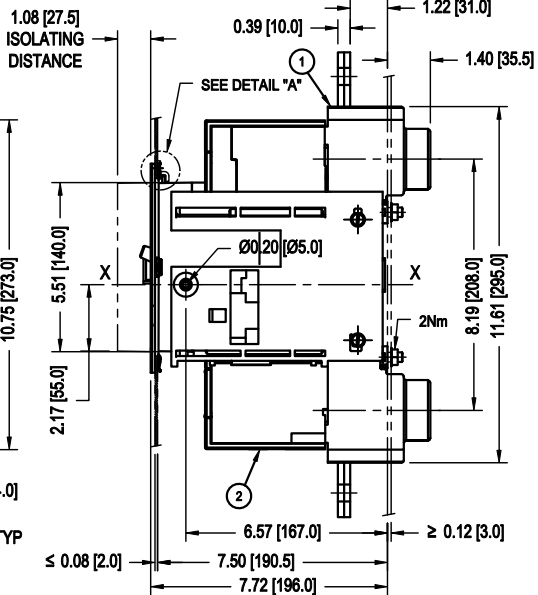
DRAWING NUMBER
D 2202 9000-031



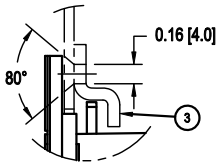
4 POLE
FRONT VIEW



3 POLE
FRONT VIEW

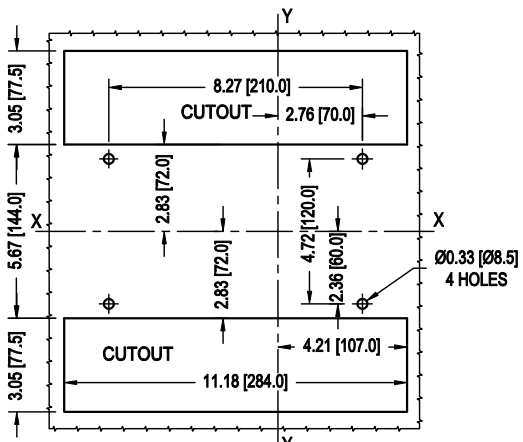


3 & 4 POLE
SIDE VIEW

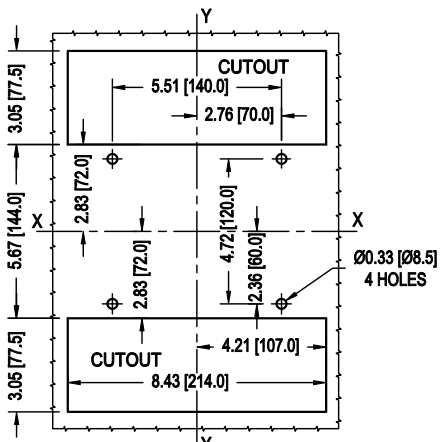


DETAIL "A"

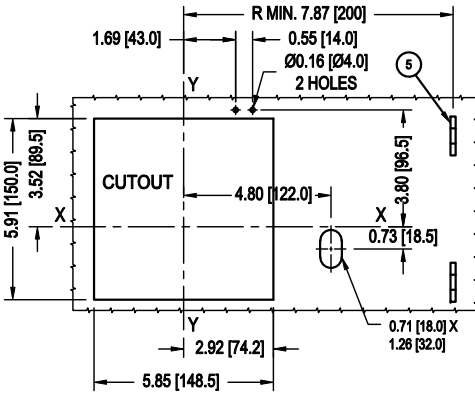
- CAPTION:
- 1 - FIXED PART
 - 2 - MOVING PART
 - 3 - LOCK FOR COMPARTMENT DOOR
 - 4 - OVERALL DIMENSIONS WITH CABLED ACCESSORIES MOUNTED (SOR-C, UVR-C)
 - 5 - DOOR HINGE



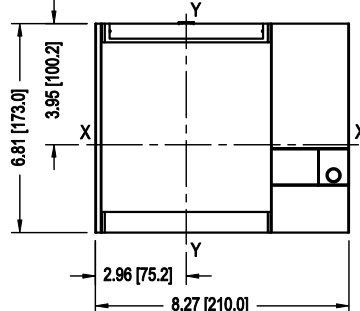
4 POLE DRILLING TEMPLATE FOR SUPPORT SHEET



3 POLE



COMPARTMENT DOOR
DRILLING TEMPLATE



FLANGE FOR
COMPARTMENT DOOR

DRAWING NUMBER
D 2202 9000-031

REV. LET.	REVISIONS	DATE	REV. OR APPD. BY	REV. LET.	REVISIONS	DATE	REV. OR APPD. BY

THIS DRAWING IS THE PROPERTY OF ABB Inc. AND CONTAINS PROPRIETARY AND CONFIDENTIAL INFORMATION WHICH MUST NOT BE DUPLICATED, USED OR DISCLOSED OTHER THAN EXPRESSLY AUTHORIZED BY ABB Inc.



DATE 10/28/08
DRAWN BY JLS
CHK'D PROJECT NO.
SHEET 1 of 1

REV. A
SIZE B

TITLE TMAX T6 WITHDRAWABLE WITH FRONT TERMINALS 3 AND 4 POLES
DRAWING NUMBER D 2202 9000-031

CUST