

DRAWING NUMBER
D 2501 8014-022

OS800L04
600VAC 800A 4-Pole
Class L Fused Open Type Switch
Rotary operated
cULus Listed, 97C2
Open Type Switch
UL File #E101914

Short Circuit Rating at 600VAC		
KA	Fuse/A	Fuse class
200	800	L

3-phase HP Ratings			
VAC	240	480	600
HP	250	500	500

Accessories:

Operating Handle
OHB200J12 - Type 1, 3R, 4, 12
OHB200L12 - Type 1, 3R, 4, 4X, 12
Ref. drawing D 2501 8001-014 for
t-style grip handle dimensions and
installation details.

Terminal Lug Kits

OZXA-800 - 8 lugs
OZXA-800/3 - 4 lugs

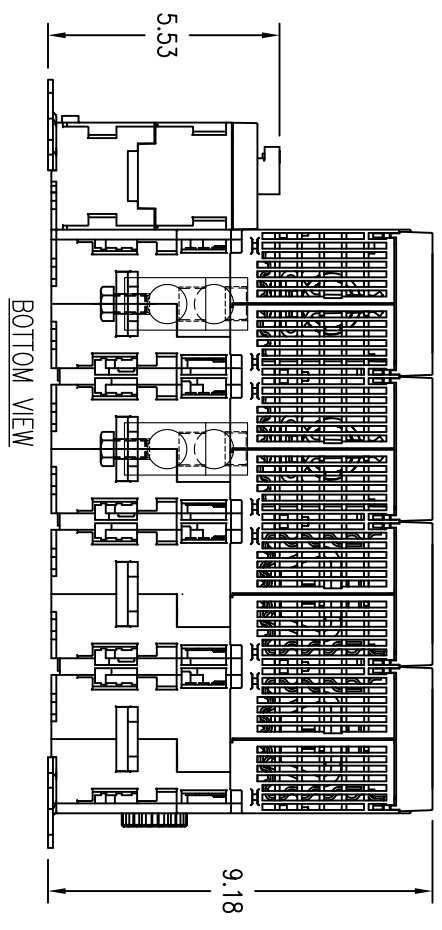
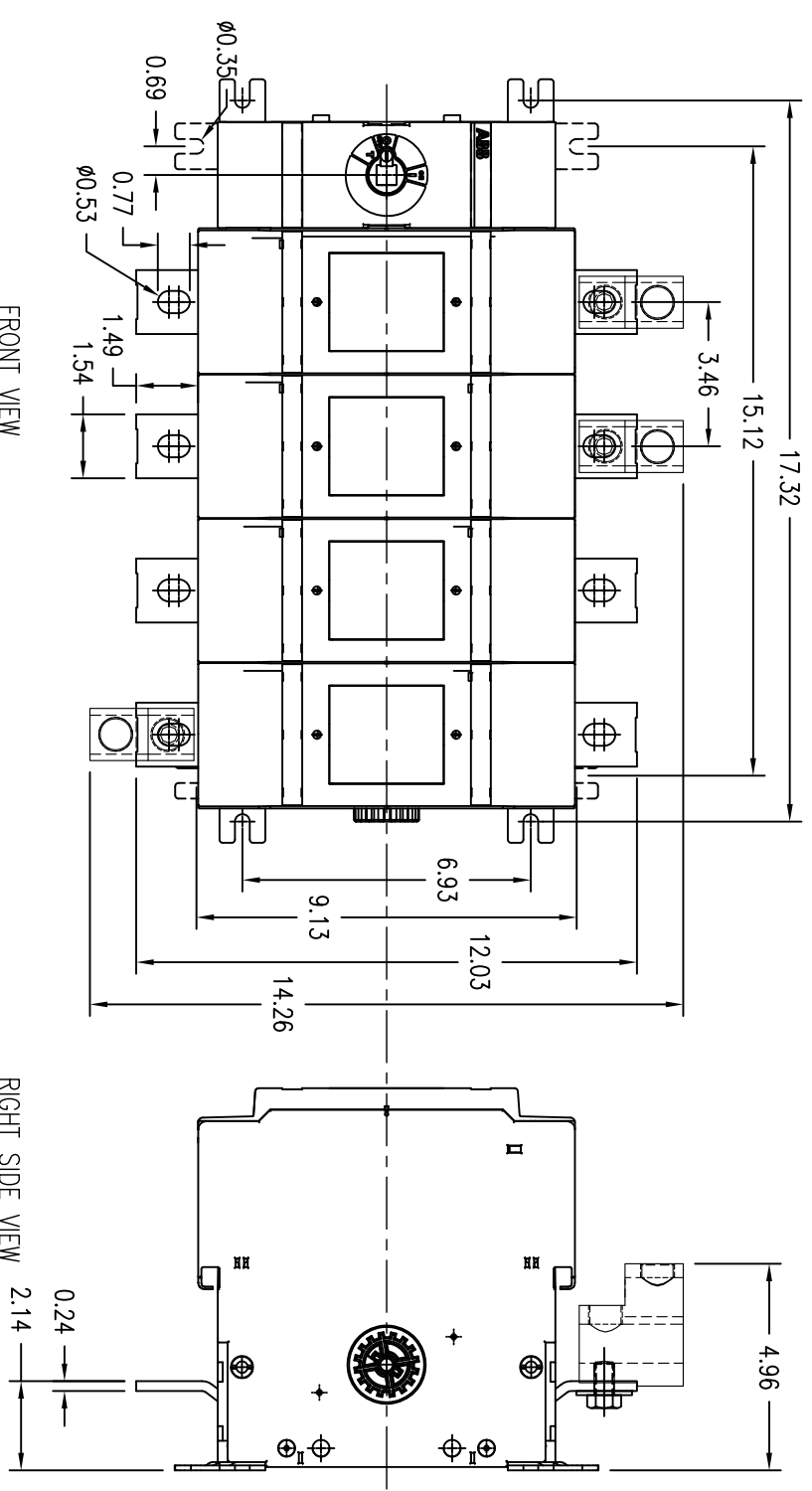
Wire Range:
(2) #2 AWG - 600kcmil
AL7CU, UL Listed

Operating Shaft - Max. encl. depth

OXP12X280 - 15.20 in.
OXP12X325 - 17.00 in.
OXP12X395 - 19.70 in.
OXP12X465 - 22.40 in.
OXP12X355 - 25.20 in.

Auxiliary Contacts

OATG10 - 1n.o.
OASG01 - 1n.c.
OEA28 - Module for contacts



CUST / SHOP

DO NOT SCALE DRAWING		SCALE FULL		DIMENSIONS ARE IN INCHES	
STANDARD TOLERANCES		2 PL. DEC. ±.030		3 PL. DEC. ±.030	
ANGLES		±1°			
THIS DRAWING IS THE PROPERTY OF ABB Inc. AND CONTAINS PROPRIETARY AND CONFIDENTIAL INFORMATION WHICH MUST NOT BE OR REPRODUCED, COPIED, OR DISCLOSED WITHOUT THE EXPRESS AUTHORIZATION BY ABB Inc.					
ABB Inc.		DATE 11/3/2011		REV. A	
DRAWN F. GARCIA		CHK'D APPR'D		TITLE OS800L04	
SHEET 1 OF 1		SIZE A		4-POLE FUSIBLE OPEN TYPE SWITCH	
DRAWING NUMBER		D 2501 8014-022			