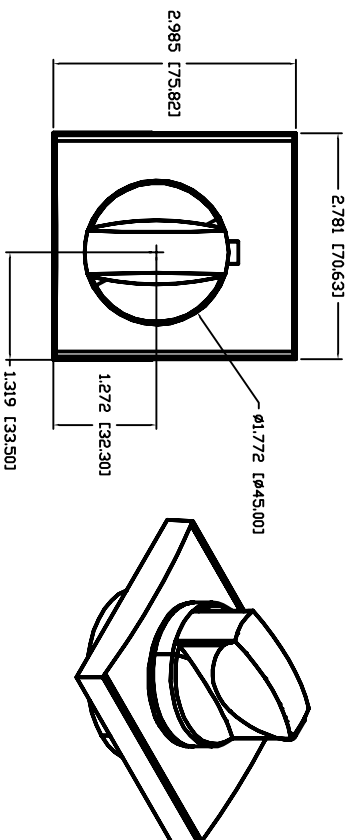


DIRECT (RHD) – INSTALLED DIRECTLY ON THE FRONT OF THE CIRCUIT BREAKER.

ROTARY HANDLE COMPONENT	PART NUMBER
RHD_EM A1-A2 STAND. DIRECT	KA2RHD
RHD_EM A1-A2 EMER. DIRECT	KA2RHDEM



EXTENDED (RHE) – INSTALLED THROUGH THE SWITCHBOARD DOOR IT INTERACTS WITH THE CIRCUIT BREAKER THAT IS BEHIND THE DOOR BY MEANS OF A TRANSMISSION ROD.

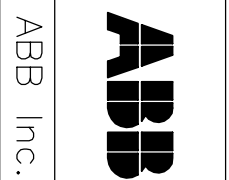
ROTARY HANDLE COMPONENT	PART NUMBER
RHE A1-A2 STAND. RETURNED	KA2RHE
RHE_EM A1-A2 EMER. RETURNED	KA2RHEEM
RHE_B A1-A2 SIDEB.R.DIST.ADJ.ROT.HAND	KA2RHE-B
RHE_S A1-A2 ROD R.D.ADJ.ROT.HAN	KA2RHE-S
RHE_H A1-A2 HANDLE R.D.ADJ.ROT.HAN	KA2RHE-H
RHE_H A1-A2 HAND.EME.R.D.ADJ.ROT.HAN	KA2RHE-HEM

THE MINIMUM AND MAXIMUM DISTANCES BETWEEN THE FIXING SURFACE AND THE DOOR ARE 62.5mm/2.46in AND 479.5mm/18.88in.

PART

REV. LET.	REVISIONS	DATE	REV. OR APPD BY	REV. OR APPD BY	DATE	REV. OR APPD BY	REV. OR APPD BY
DO NOT SCALE DRAWING				SCALE FULL			
DIMENSIONS ARE IN IN [mm]				DIMENSIONS ARE IN IN [mm]			
MATERIAL:				MATERIAL:			
FINISH:				FINISH:			
STANDARD TOLERANCES				STANDARD TOLERANCES			
2 PL DEC. ±.030				3 PL DEC. ±.030			
ANGLES ±1°				ANGLES ±1°			

THIS DRAWING IS THE PROPERTY OF ABB Inc. AND CONTAINS PROPRIETARY AND CONFIDENTIAL INFORMATION WHICH MUST NOT BE OR DISCLOSED, USED OR REPRODUCED WITHOUT THE AUTHORITY OF ABB Inc.



DATE	9/8/11	REV.	A	TITLE	FORMULA BREAKER A1 & A2 HANDLE TECHNICAL DATA
DRAWN	TD	SIZE	A	DRAWING NUMBER	D 2201 9000-011
CHK'D					
APP'R'D					
SHEET	1	OF	1		