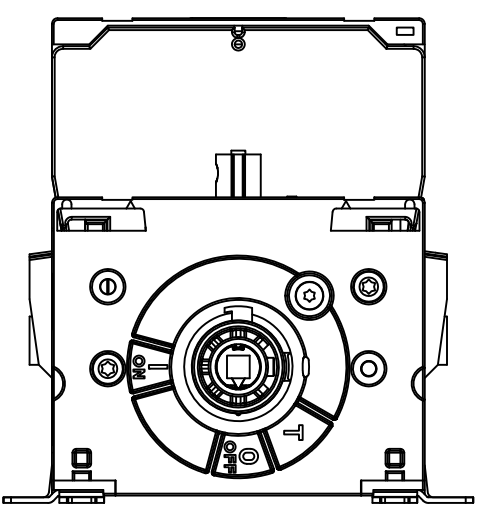
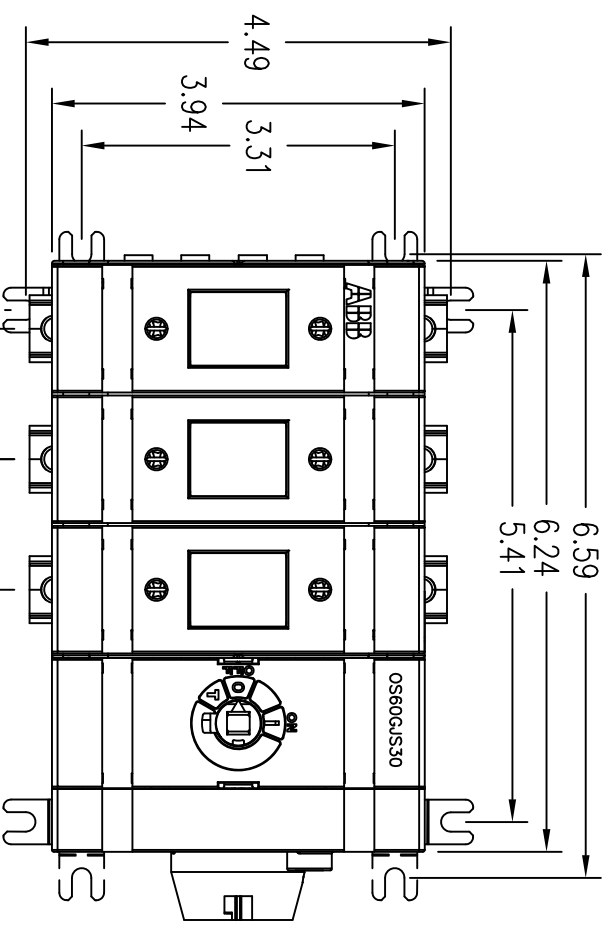


DRAWING NUMBER  
D 2501 8013-013



OS60GJS30  
600VAC 60A 3-POLE  
CLASS J FUSED  
OPEN TYPE SWITCH  
ROTARY OPERATED

Open Type Switch  
UL File E101914  
cULus Listed

SHORT CIRCUIT RATING AT 600VAC		
kA	Fuse/A	Fuse class
200	60	J

3-PHASE HP RATINGS			
VAC	240	480	600
HP	15	30	50

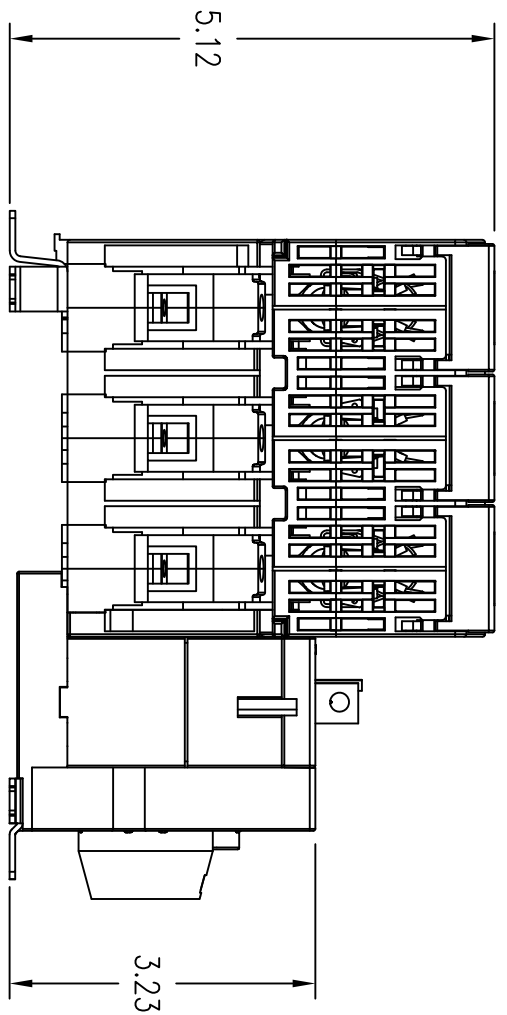
ACCESSORIES:

OPERATING HANDLE  
OHB65J6 - TYPE 1, 3R, 4, 4X, 12  
OHB65L6 - TYPE 1, 3R, 4, 4X, 12  
OHB80J6 - TYPE 1, 3R, 4, 4X, 12  
OHB80L6 - TYPE 1, 3R, 4, 4X, 12

LUGS:  
INTEGRAL  
WIRE RANGE: #14-4

FUSE MONITORS  
OFS260 - 100-260VAC  
OFS690 - 380-690VAC  
OFMZx2 - CRIMP TERMINALS

AUXILIARY CONTACTS  
OA1G10 - 1N.O.  
OA3G01 - 1N.C.  
OEA28 - Module for contacts



PART

REV. LET.	REV OR APPD BY	DATE	REV. A	TITLE
		2/9/11		OS60GJS30
				3-POLE CLASS J FUSED DISCONNECT SWITCH
				DRAWING NUMBER
				D 2501 8013-013
<p>THIS DRAWING IS THE PROPERTY OF ABB Inc. AND CONTAINS PROPRIETARY AND CONFIDENTIAL INFORMATION WHICH MUST NOT BE OR REPRODUCED, COPIED, OR DISCLOSED, EITHER WHOLLY OR IN PART, WITHOUT THE EXPRESS AUTHORIZATION BY ABB Inc.</p>				
<p>ABB Inc.</p>				
<p>REVISIONS</p>				