

DRAWING NUMBER  
D 2501 8004-014

OT600U22  
600VAC, 600A 4-Pole  
Non-Fused Open Type Switch  
Rotary operated  
cULus Listed, 97C2  
Open Type Switch  
UL File #101914  
CSA Certified, File #58077

Short Circuit Rating at 600VAC		
KA	Fuse/A	Fuse class
100	800	J, T or L
100	600	RK5
35		Circuit Breaker

3-phase HP Ratings				
VAC	208	240	480	600
HP	150	200	450	500

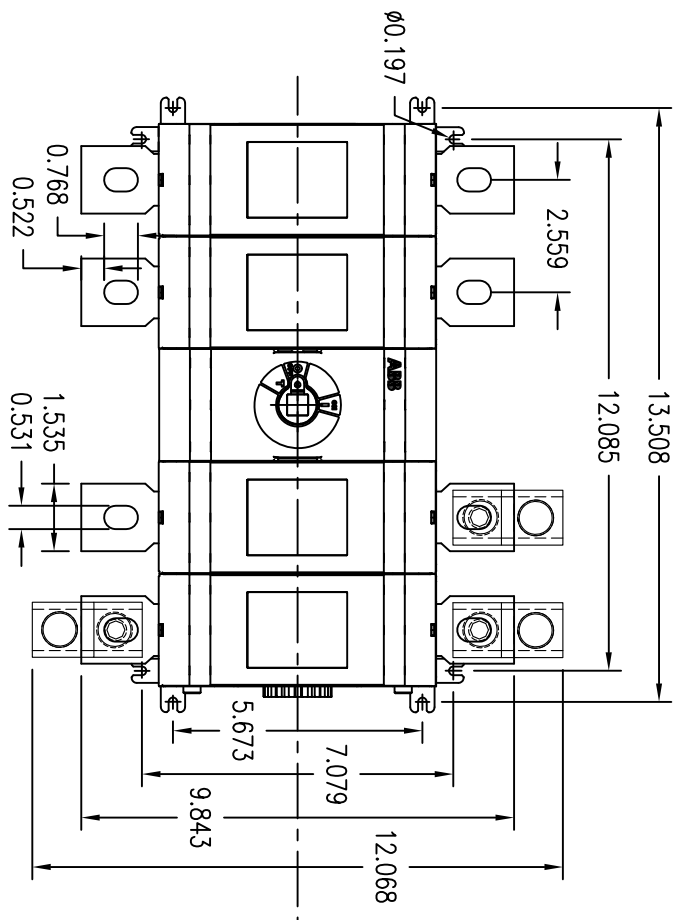
Accessories:

Operating Handle  
OHB175J12 - Type 1, 3R, 12  
OHB175L12 - Type 1, 3R, 4, 4X, 12  
Ref. drawing D 2301 8001-001 for  
pistol grip handle dimensions and  
installation details.

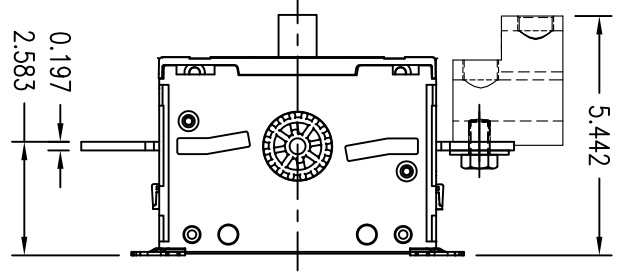
Terminal Lug Kits  
OZXA-800 - 8 lugs  
Wire Range:  
(2) #2 AWG - 600kcmil  
AL7CU, UL Listed

Operating Shaft - Max. encl. depth  
 OXP12X220 - 12.00 in.  
 OXP12X280 - 14.50 in.  
 OXP12X325 - 16.30 in.  
 OXP12X395 - 19.10 in.  
 OXP12X465 - 21.80 in.  
 OXP12X625 - 28.10 in.

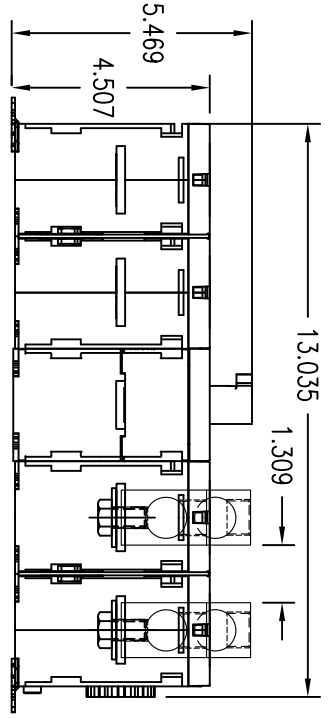
Auxiliary Contacts  
 OATG10 - 1n.o.  
 OAS601 - 1n.c.



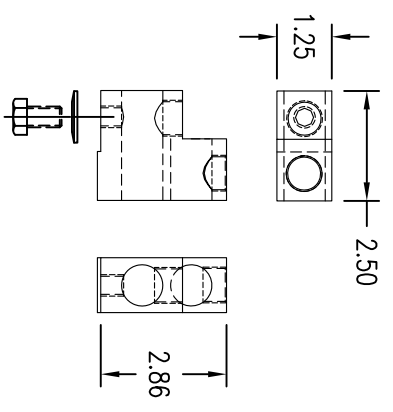
FRONT VIEW



RIGHT SIDE VIEW



BOTTOM VIEW



REV. LET.	REVISIONS	DATE	REV OR APPD BY	THIS DRAWING IS THE PROPERTY OF ABB Inc. AND CONTAINS PROPRIETARY AND CONFIDENTIAL INFORMATION WHICH MUST NOT BE OR REPRODUCED OR DISCLOSED OTHER THAN EXPRESSLY AUTHORIZED BY ABB Inc.		DATE	REV.	TITLE
						14/3/11	A	OT600U22
						F. GARCIA	A	4-Pole Non-Fused Open Type Switch
						PROJECT NO.		DRAWING NUMBER
						1 OF 1	A	D 2501 8004-014